

SC Self Contained ELECTRONIC LOCKING SYSTEM

The Self Contained Electronic Locking System incorporates an access control system, electronic lock, electrical override and simple external AA battery power supply into a single integrated unit. Available with digital keypad or RFID access control, the system installs into a single hole door cutout for quick and easy installation with no additional wiring required.





SC Self Contained Electronic Locking System

Electronic access (RFID Version)

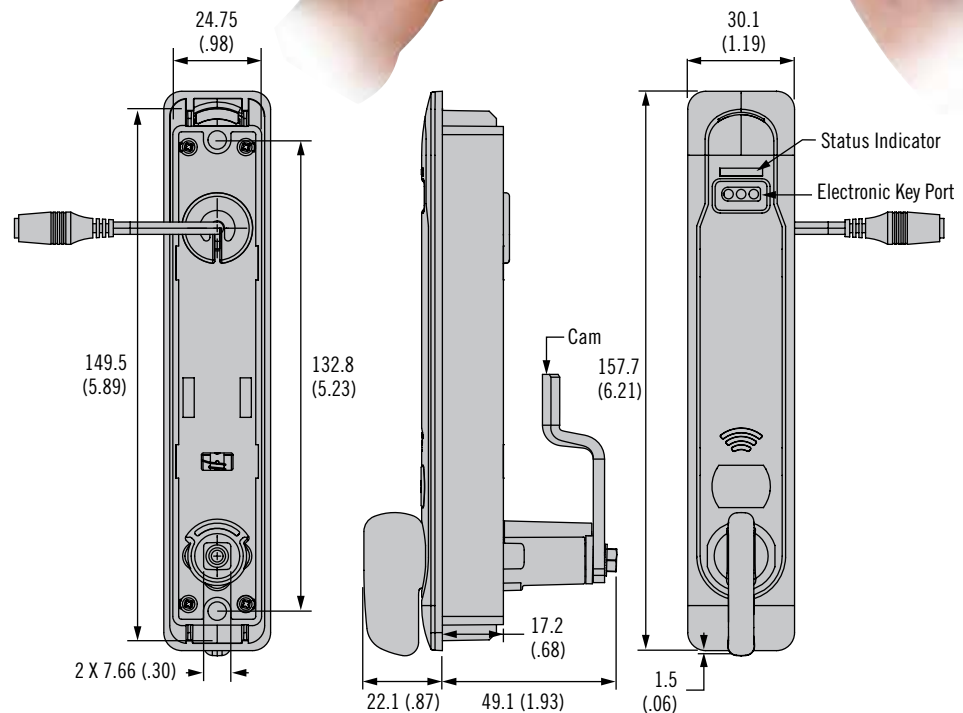
- No wiring required
- Battery Operated (3 AA)
- Accepts MIFARE® Classic, MIFARE® Plus, MIFARE® DESFire® and HID smart cards**
- Up to 20 User cards per lock
- Vertical or Horizontal orientation
- Custom colors and logos available
- Fits 25 x 150mm door preparation
- Multiple cam offsets to accommodate multiple applications
- Rod systems available for multi-point latching
- Up to 50,000 cycles on 3 AA batteries
- Manager key with 9V battery for electrical override
- Easy programming

Material & Finish

Housing, Trim Plate, Mounting Cup: V0 PC/ABS

Knob: Die cast zinc

Screw, Snap Ring: Steel



Latch Assembly Part Number (no cam)

SC - 20 - 100 D - 10*

D Mounting Cup Type

- 0 - Tall
- 1 - Short

Cams, RFID cards, and keys ordered separately.

*Note: Remove '10' for latch without Southco logo.

D Mounting Cup Selection

Door Thickness Range	Mounting Cup Type
1 - 5 (0.04 - 0.19)	Tall Cup D = 0
5 - 10 (0.20 - 0.39)	
10 - 15 (0.40 - 0.59)	
15 - 20 (0.60 - 0.79)	Short Cup D = 1
20 - 25 (0.80 - 0.98)	

Note: Detailed instructions regarding system set-up and operation are included with each latch assembly.

** MIFARE Classic, MIFARE Plus, MIFARE DESFire are trademarks of NXP B.V. and are used under license. HID is a registered trademark of HID Global.

Dimensions in millimeters (inch) unless otherwise stated



Custom colors available - Contact Southco for Details

Other options available. For complete details on variety, part numbers, installation and specification, go to

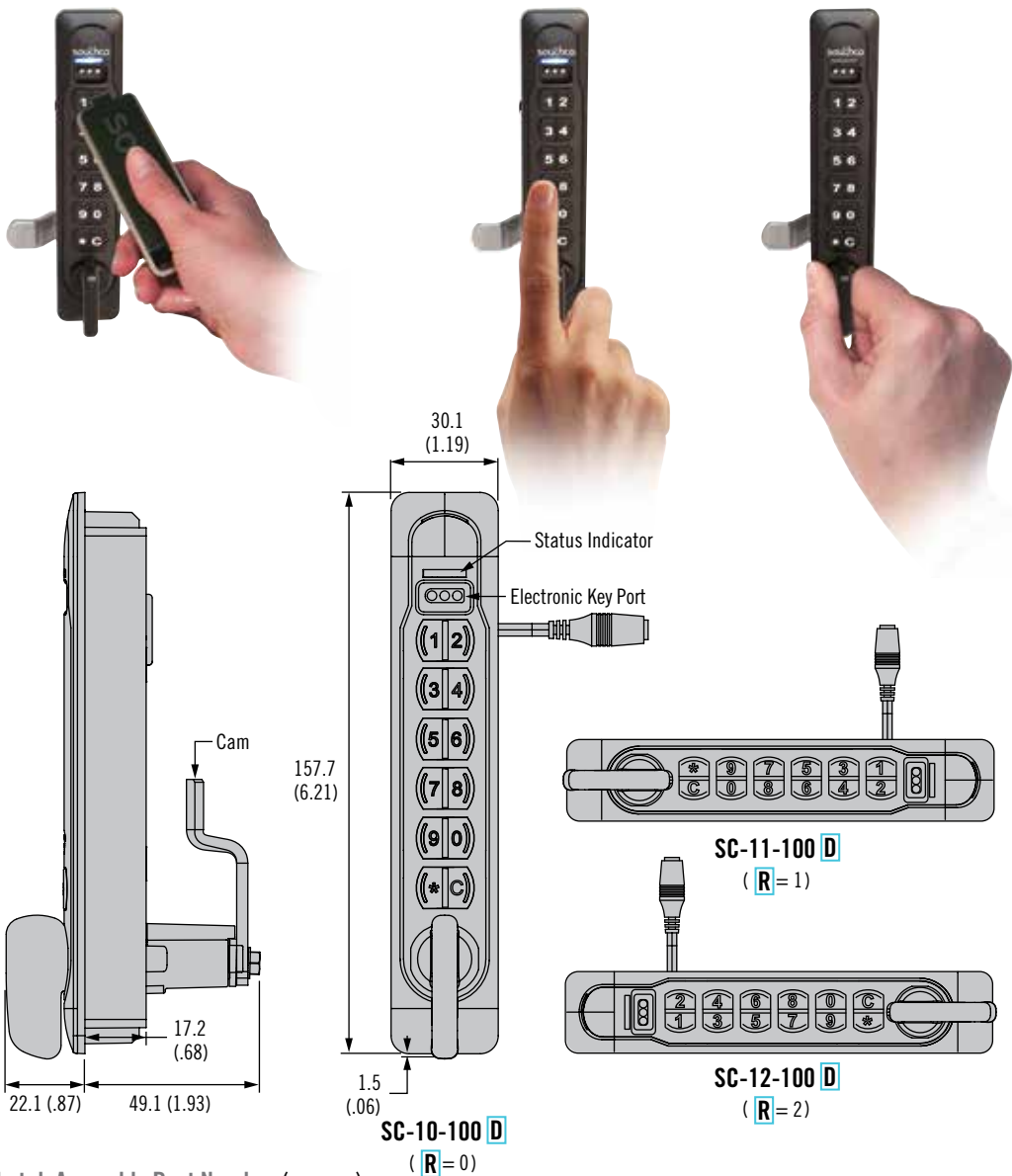


www.southco.com/SC

southco
CONNECT · CREATE · INNOVATE

SC Self Contained Electronic Locking System

Electronic access (Key Pad Version)



- Simple Keypad Access
- Battery Operated (3 AA)
- Up to 20 unique user codes of any combination
- Vertical or Horizontal orientation (specify when ordering)
- Custom colors and logos available
- Fits 25 x 150mm door preparation
- Multiple cam offsets to accommodate multiple applications
- Rod systems available for multi-point latching
- Up to 50,000 cycles on 3 AA batteries
- Manager key with 9V battery for electrical override
- Easy programming

Material & Finish

Housing, Trim Plate, Mounting Cup: V0 PC/ABS
 Knob: Die cast zinc
 Screw, Snap Ring: Steel



Custom colors available - Contact Southco for Details

Latch Assembly Part Number (no cam)

D Mounting Cup Type
 0 - Tall
 1 - Short

SC-1 R-100 D-10*

R Orientation
 0 - Vertical
 1 - Horizontal, Knob Left
 2 - Horizontal, Knob Right

D Mounting Cup Selection	
Door Thickness Range	Mounting Cup Type
1 - 5 (0.04 - 0.19)	Tall Cup D = 0
5 - 10 (0.20 - 0.39)	
10 - 15 (0.40 - 0.59)	
15 - 20 (0.60 - 0.79)	Short Cup D = 1
20 - 25 (0.80 - 0.98)	

Cams and keys ordered separately.

*Note: Remove '10' for latch without Southco logo.

Note: Detailed instructions regarding system set-up and operation are included with each latch assembly.

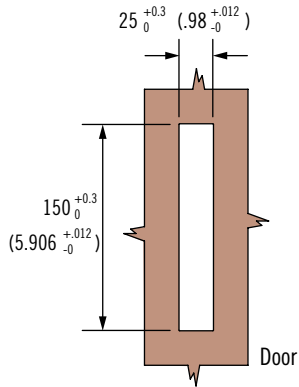
SC Self Contained Electronic Locking System

Electronic access



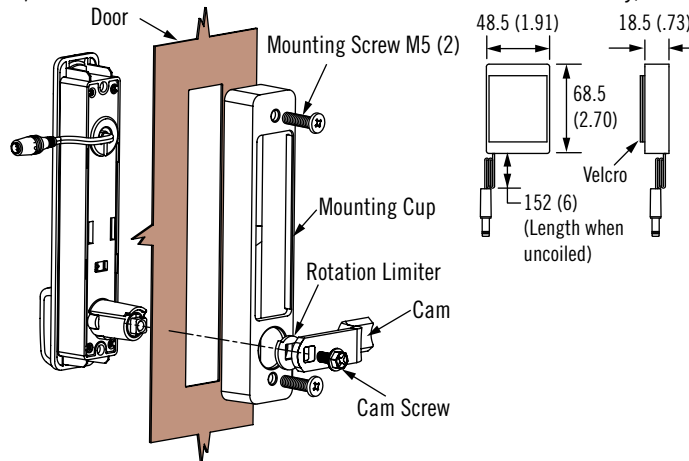
Installation

Door Preparation
Door Thickness 1mm-25mm (.04 - .98)

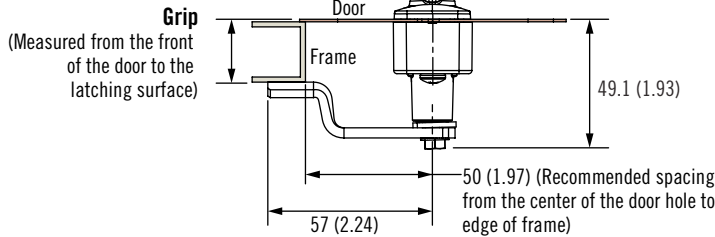


Battery Box

(Mount inside the door, included with each latch assembly)



Grip Measurement



How to Order

- Select Latch Assembly
- Determine grip
- Order cam separately based on grip dimension
- Order one programming key per site
- Order manager keys as needed
- Order RFID cards or User keys as needed
- Note: Battery box included
- Requires 3 AA Batteries (Not Included)

Cam Part Numbers (Order Separately)		
Cam Part Number	GRIP (mm)	GRIP (in)
SC-5000	42.5	1.67
SC-5002	40.5	1.59
SC-5004	38.5	1.52
SC-5006	36.5	1.44
SC-5008	34.5	1.36
SC-5010	32.5	1.28
SC-5012	30.5	1.20
SC-5014	28.5	1.12
SC-5016	26.5	1.04
SC-5018	24.5	0.96
SC-5020	22.5	0.89
SC-5022	20.5	0.81
SC-5024	18.5	0.73
SC-5026	16.5	0.65
SC-5028	14.5	0.57
SC-5030	12.5	0.49
SC-5032	10.5	0.41
SC-5034	8.5	0.33
SC-5036	6.5	0.26
SC-5038	4.5	0.18
SC-5040	2.5	0.10
SC-5042	0.5	0.02

Electronic Key Part Numbers (Order Separately)

Part Number	Description		
SC-A10-10	Programming Key	Used to enroll Manager keys and for Express Registration	
SC-A20-10	Manager Key	Used to enroll User Codes, User Keys and RFID cards	
SC-A30-10	User Key	Provides quick one touch access	

Note: Contact Southco for custom color/ logo options.

RFID Card Part Numbers (Order Separately)

Part Number	Description
EA-C3-100	Card, RFID, 13.56MHz, MIFARE® Classic, 0.8 (0.03) Thick**
EA-C3-100-9	Card, RFID, 13.56MHz, MIFARE® Classic, 0.8 (0.03) Thick, Logo**
EA-C3-101	Card, RFID, 13.56MHz, MIFARE® Classic, 0.8 (0.03) Thick, Slot**
EA-C3-101-9	Card, RFID, 13.56MHz, MIFARE® Classic, 0.8 (0.03) Thick, Slot, Logo**

Note: Detailed instructions regarding system set-up and operation are included with each latch assembly.

** MIFARE and MIFARE Classic are trademarks of NXP B.V. and are used under license.

Dimensions in millimeters (inch) unless otherwise stated



Global Corporate Headquarters and Americas Customer Service & Technical Support Center
Tel: (1) 610-459-4000 · Fax: (1) 610-459-4012 · www.southco.com · info@southco.com



www.southco.com/SC

© Southco SC NA 02-14

SC-10-1000	SC-51-1000-10
SC-10-1000-10	SC-51-1001
SC-10-1001	SC-51-1001-10
SC-10-1001-10	SC-52-1000
SC-11-1000	SC-52-1000-10
SC-11-1000-10	SC-52-1001
SC-11-1001	SC-52-1001-10
SC-11-1001-10	SC-53-1000
SC-12-1000	SC-53-1000-10
SC-12-1000-10	SC-53-1001
SC-12-1001	SC-53-1001-10
SC-12-1001-10	SC-A10-10
SC-13-1000	SC-A20-10
SC-13-1000-10	SC-A30-10
SC-13-1001	
SC-13-1001-10	
SC-20-1000	
SC-20-1000-10	
SC-20-1001	
SC-20-1001-10	
SC-3004-01	
SC-5000	
SC-5002	
SC-5004	
SC-5006	
SC-5008	
SC-5010	
SC-50-1000	
SC-50-1000-10	
SC-50-1001	
SC-50-1001-10	
SC-5012	
SC-5014	
SC-5016	
SC-5018	
SC-5020	
SC-5022	
SC-5024	
SC-5026	
SC-5028	
SC-5030	
SC-5032	
SC-5034	
SC-5036	
SC-5038	
SC-5040	
SC-5042	
SC-51-1000	