



NY Cable Clamp

Push / pull style

- Reusable one piece design
- Tool-free installation and operation
- Non-conductive, non-corrosive materials

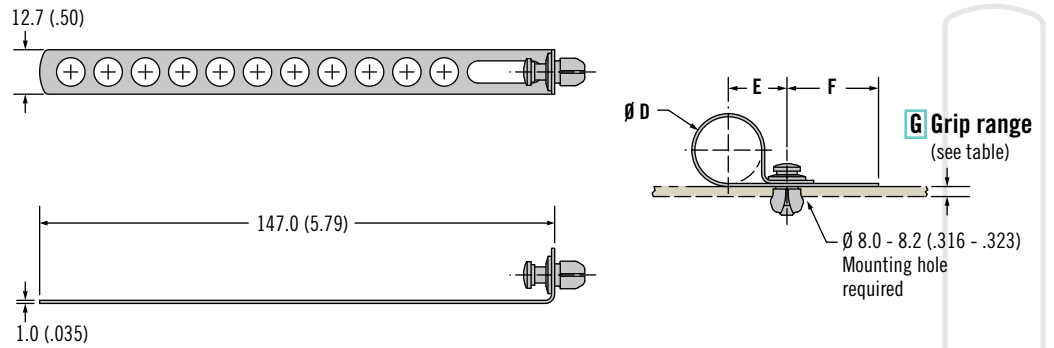
Material and Finish

Nylon and polycarbonate white or black

Performance Details

Flammability rating: UL94-V2

Part Number Selection



ϕD	E	F
6.0 - 36.0 (.25 - 1.50)	11.0 - 27.0 (.44 - 1.07)	9.0 - 116.0 (.35 - 4.55)

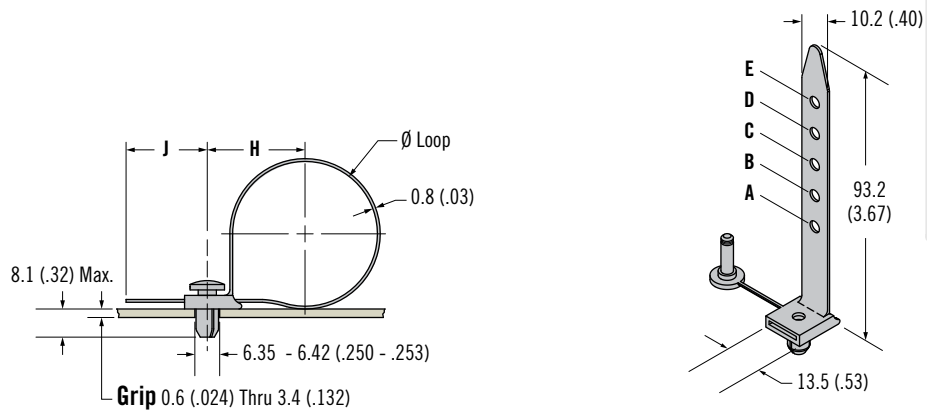


Material and Finish

Nylon, white

Performance Details

Flammability rating: UL94-V2



Part Number	Dimensions	A	B	C	D	E
NY-CC-775-1	$\phi Loop$	6.35 (.25)	9.65 (.38)	12.7 (.50)	16.0 (.63)	19.1 (.75)
	H	10.4 (.41)	11.9 (.47)	13.5 (.53)	15.2 (.60)	16.8 (.66)
	J	61.7 (2.43)	51.1 (2.01)	40.4 (1.59)	29.7 (1.17)	19.1 (.75)

Dimensions in millimeters (inch) unless otherwise stated



www.southco.com/NY2