



M3 Compression System

Remote compression latch

- Consistent compression driven by rotational rod
- Adjustable grip
- Meets NEMA 4 / IP66 and EMI standards
- Can be driven by hand, tool or key-locking actuators

Material and Finish

Zinc alloy and steel, zinc plated

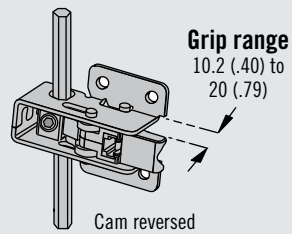
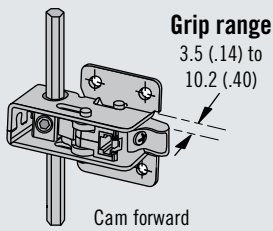
Performance Details

Max. static load:

890 N (200 lbf) per latch

Average ultimate load:

1335 N (300 lbf)



Notes

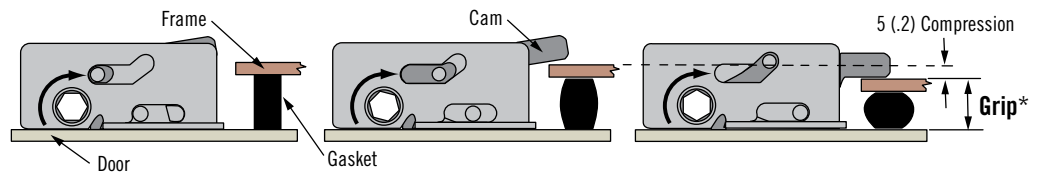
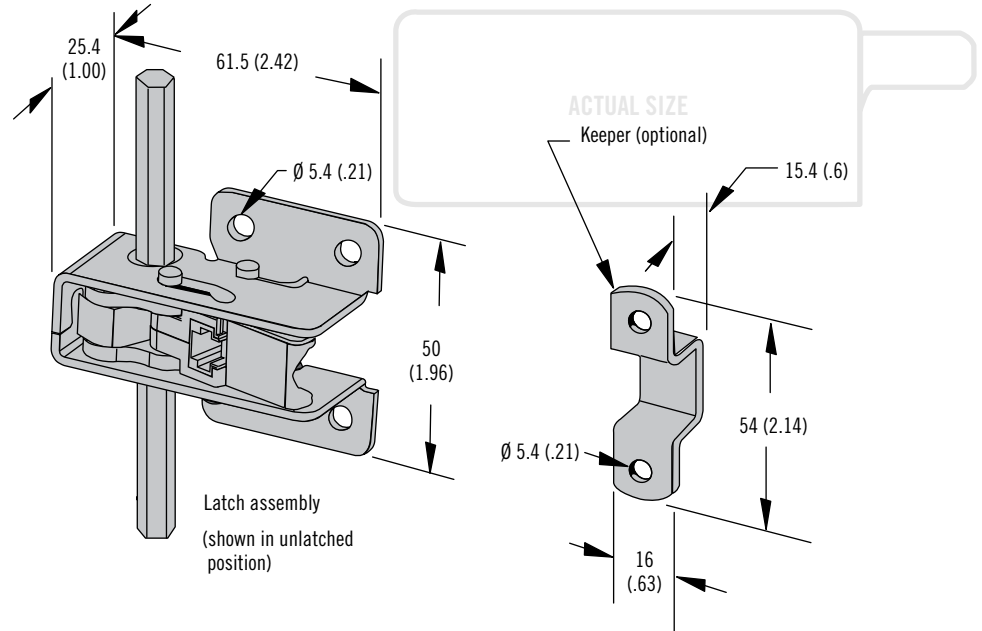
Do not exceed 20 (.79) grip range with cam reversed

Part Number

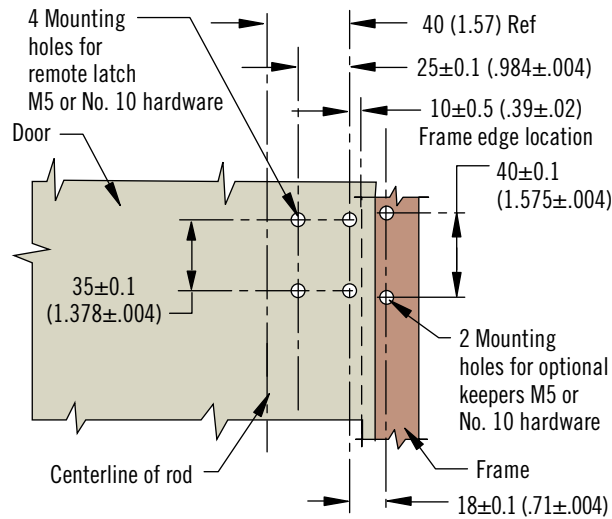
Remote compression latch and optional keeper only see table

The complete system consists of:
Remote compression latch and / or optional keeper (see page 246)
Actuator (see pages 247 - 250)
Rods (see page 251)

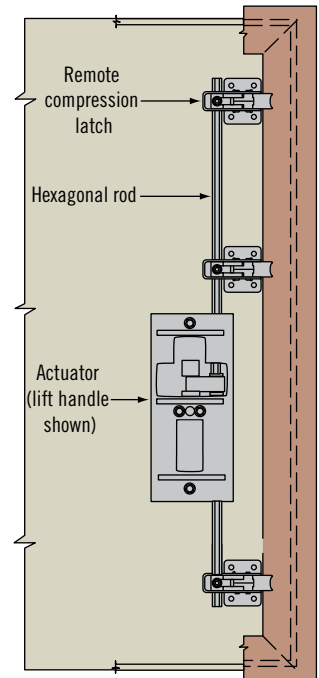
Order each component separately



* Measure your Grip from the latch mounting surface to the inside frame surface, with gasket compressed



Inside view



Part Number	
Remote compression latch	M3-50
Keeper (optional) use for grip ranges 15 - 30 (.59 - 1.18)	M3-51

Dimensions in millimeters (inch) unless otherwise stated

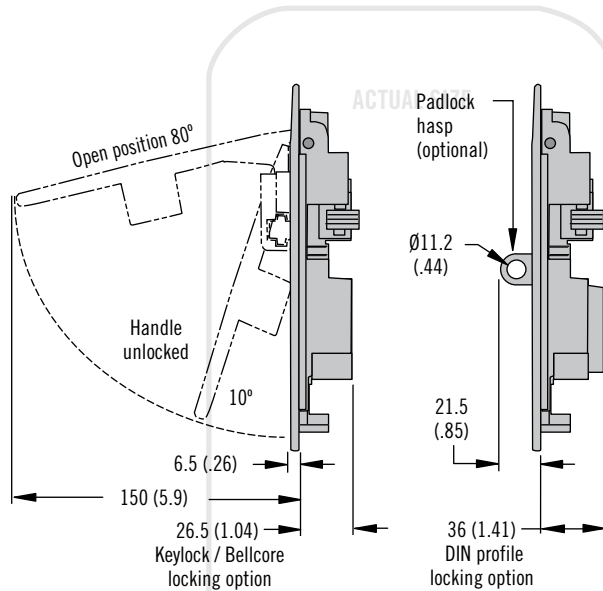
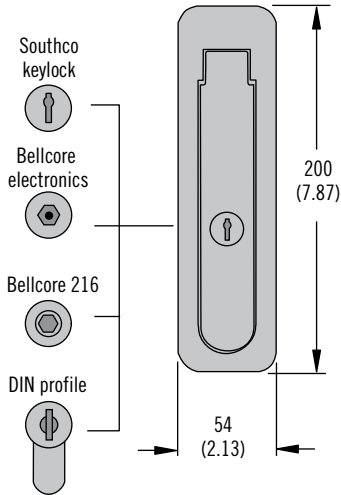
M3 Compression System

Actuators · Lift handle



Lift Handle

Locking options



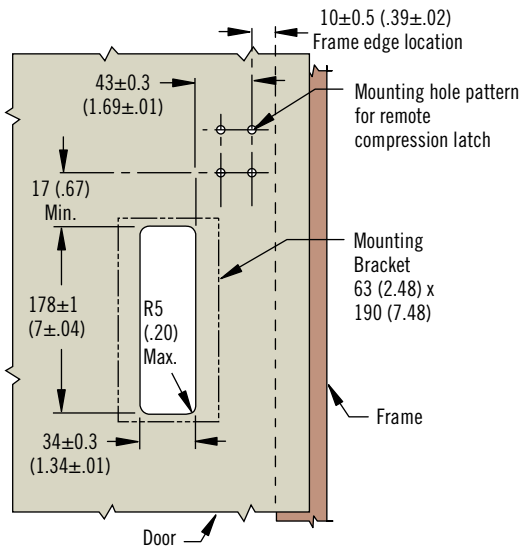
- Suitable for left and right side latching
- Meets NEMA 4/ IP66, GR487 and EMI standards
- Ejecting handle

Material and Finish

Zinc alloy black powder coated and steel, zinc plated

Sealing Notes

NEMA 4 / IP66 achieved using gasket supplied



Part Number Selection

Actuator only

The complete system consists of:
 Remote compression latch and / or optional keeper (see page 246)
 Actuator (see pages 247 - 250)
 Rods (see page 251)
 Order each component separately

P Padlock option

0 Non padlock
 1 Padlockable

D Door thickness range

10 1.5 - 3 (.06 - .12)
 11 3 - 4.5 (.12 - .18)
 25 24 - 25.5 (.94 - 1.0)

L Lock style

10 Key-locking keyed alike CH751 (two keys supplied)
 11 DIN profile supplied keyed alike 347876 (three keys supplied)
 16 Bellcore 216
 17 Bellcore electronics

M3 - 40 - L P - D



M3 Compression System

Actuators · Push-button handle

- Suitable for left and right side latching

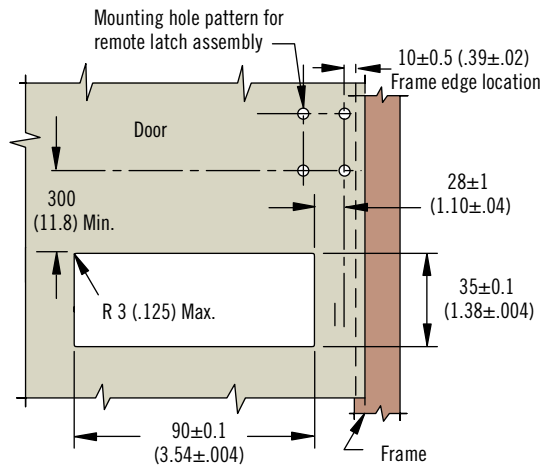
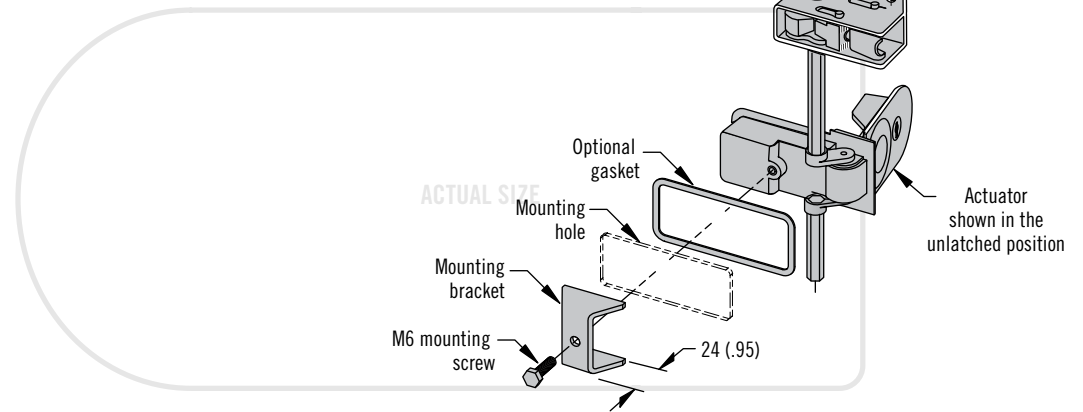
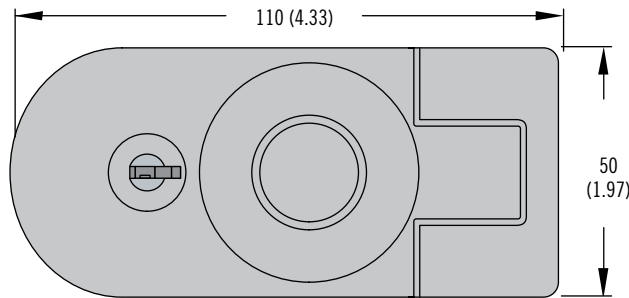
Material and Finish

Zinc alloy black powder coated and steel, zinc plated

Sealing Notes

NEMA 4 / IP66 achieved using optional gaskets (ordered separately)

Push-Button Handle



Part Number

Actuator and sealing gasket only see table

The complete system consists of: Remote compression latch and / or optional keeper (see page 246) Actuator (see pages 247 - 250) Rods (see page 251)

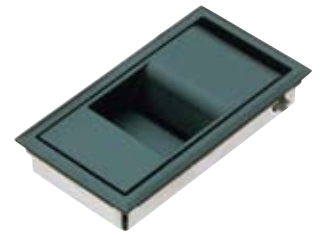
Order each component separately

Actuator	Door Thickness Range	Part Number
Push-button handle	0 - 5 (0 - .20)	M3-90
	5 - 10 (.20 - .39)	M3-92
Push-button handle with key-lock	0 - 5 (0 - .20)	M3-91
	5 - 10 (.20 - .39)	M3-93

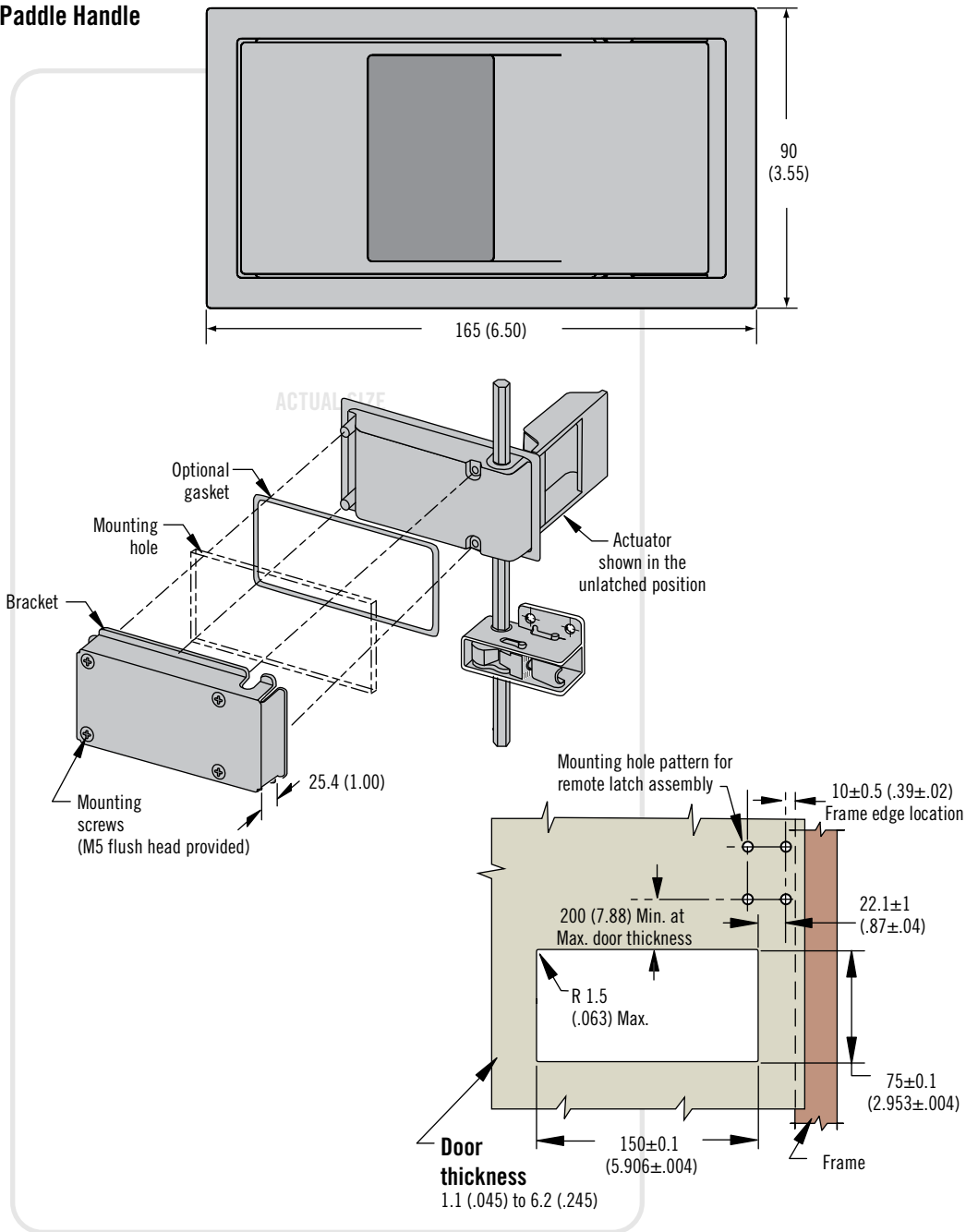
Sealing Gasket Part Number
C5-82

M3 Compression System

Actuators · Paddle handle



Paddle Handle



- Suitable for left and right side latching

Material and Finish

Zinc alloy black powder coated and steel, zinc plated

Sealing Notes

NEMA 4 / IP66 achieved using gasket supplied



Actuator	Part Number
Paddle (includes bracket and screws)	M3-10
Paddle with key-lock (includes bracket and screws)	M3-17

Part Number

Actuator and gaskets only see table

The complete system consists of:
 Remote compression latch and / or optional keeper (see page 246)
 Actuator (see pages 247 - 250)
 Rods (see page 251)

Order each component separately

Gasket Type	Part Number
Environmental	M3-12
EMC	M3-13



M3 Compression System

Actuators · Door edge lever · Concealed

- Simple actuator for top or bottom of door

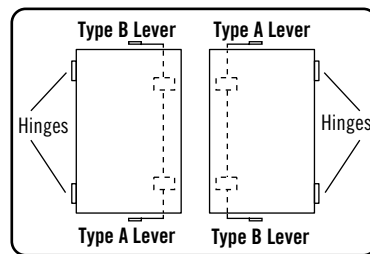
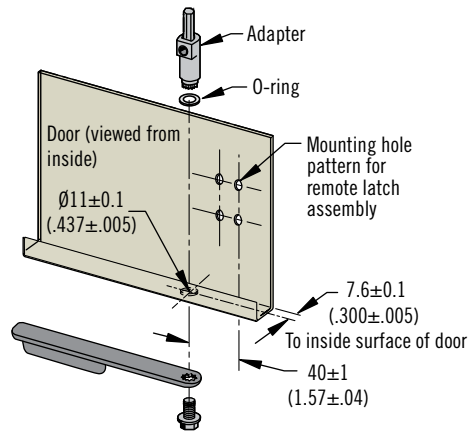
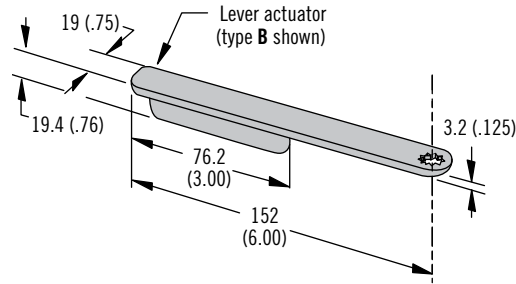
Material and Finish

Door edge lever: Zinc alloy black powder coated and steel, zinc plated
 Adaptor: Zinc alloy, chemical protective film
 Concealed: Zinc alloy, chemical protective film

Notes

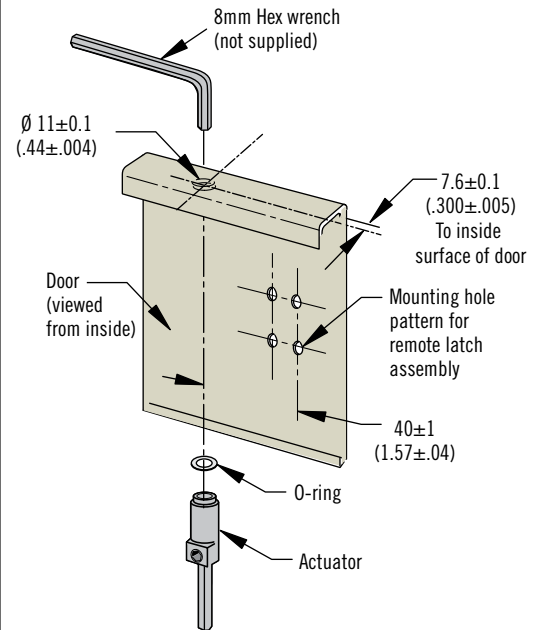
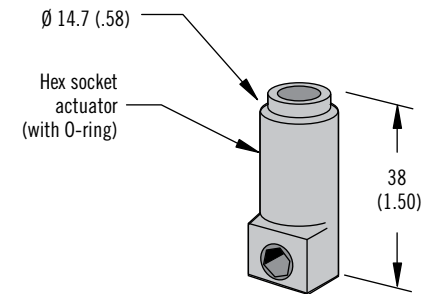
Concealed: Operated by 8mm hex wrench (not supplied)

Door Edge Lever



Viewed from outside

Concealed



Part Number

Actuator only see table

The complete system consists of:
 Remote compression latch and / or optional keeper (see page 246)
 Actuator (see pages 247 - 250)
 Rods (see page 251)

Order each component separately

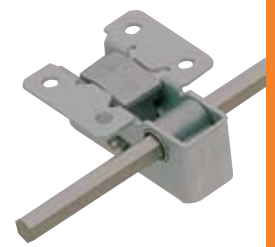
Actuator	Type	Part Number
Lever (includes adapter and O-ring)	A	M3-31
	B	M3-32

Actuator	Part Number
Hex socket with O-ring seal	M3-30

Dimensions in millimeters (inch) unless otherwise stated

M3 Compression System

Rods and Calculator



Hexagonal Rod

Hex Rod Length	Part Number	
Hex rods (length measured in centimeters)	125 cm	M3-125
	155 cm	M3-155
	185 cm	M3-185

Material and Finish

Stainless steel, natural

Notes

If you choose to use your own rods, they should have no more than 1 degree of twist in any meter length

Part Number

Rod only see table

The complete system consists of:
Remote compression latch and / or optional keeper (see page 246)
Actuator (see pages 247 - 250)
Rods (see page 251)

Order each component separately

To Determine Rod Length Per Actuator		
For Lift and Paddle Handle	For Push-Button Handle	For Door Edge Lever and 8 mm Hex Socket
<ul style="list-style-type: none"> Use center to center distance between farthest remote latches Add 2 cm 	<ul style="list-style-type: none"> 2 rods are required Use the distance from centerline of actuator to centerline of farthest latch assembly Top and bottom rods may be different length 	<ul style="list-style-type: none"> Use the distance between the door edge and the centerline of the farthest latch

Calculation Notes

Once you have completed the calculation please order the following parts:

- 1 x Actuator
- 1 or 2 rods to correct length
- Number of compression latches determined from calculation

Calculator

To determine the minimum number of remote compression latches you require along the door edge:

$$N = \frac{L \times R}{470}$$

N = Number of compression latches along door edge (rounded to the nearest whole number)
 L = Total length of gasketing material in millimeters
 R = Gasket compression rate in N / mm

Example: $\frac{5200 \text{ mm} \times 0.3 \text{ N / mm}}{470} = 3.28 = 3 \text{ latches}$

Remote compression latches should be evenly spaced along edge of door

M3-0-23502-01	M3-108	M3-250	M3-40-210-13
M3-0-24844-11	M3-115	M3-30	M3-40-220-13
M3-0-24942-11	M3-116	M3-31	M3-40-230-10
M3-0-24943-11	M3-117	M3-32	M3-40-230-11
M3-030	M3-118	M3-40-100-10	M3-40-230-13
M3-033	M3-119	M3-40-100-11	M3-40-230-25
M3-035	M3-12	M3-40-100-25	M3-40-240-13
M3-0-35032-24	M3-120	M3-40-101-10	M3-40-250-13
M3-036	M3-122	M3-40-101-11	M3-41-28
M3-0-36406	M3-125	M3-40-101-25	M3-44
M3-038	M3-13	M3-40-110-10	M3-50
M3-040	M3-130	M3-40-110-11	M3-51
M3-044	M3-131	M3-40-110-25	M3-53
M3-046	M3-132	M3-40-111-10	M3-58
M3-050	M3-133	M3-40-111-11	M3-65
M3-0-50575	M3-143	M3-40-111-25	M3-76
M3-051	M3-144	M3-40-120-10	M3-80
M3-052	M3-145	M3-40-120-11	M3-85
M3-053	M3-150	M3-40-120-25	M3-90
M3-054	M3-151	M3-40-121-10	M3-91
M3-055	M3-153	M3-40-121-25	M3-92
M3-056	M3-155	M3-40-130-10	M3-93
M3-057	M3-158	M3-40-130-11	M3-99-86-10
M3-058	M3-159	M3-40-130-17	
M3-059	M3-160	M3-40-130-25	
M3-063	M3-161	M3-40-131-10	
M3-064	M3-163	M3-40-131-11	
M3-065	M3-165	M3-40-131-25	
M3-067	M3-166	M3-40-140-10	
M3-071	M3-167	M3-40-140-13	
M3-072	M3-168	M3-40-140-25	
M3-075	M3-17	M3-40-150-13	
M3-076	M3-171	M3-40-160-10	
M3-079	M3-172	M3-40-160-11	
M3-080	M3-177	M3-40-160-13	
M3-081	M3-179	M3-40-160-25	
M3-082	M3-181	M3-40-161-10	
M3-083	M3-182	M3-40-161-11	
M3-084	M3-183	M3-40-161-25	
M3-088	M3-185	M3-40-170-10	
M3-089	M3-188	M3-40-170-11	
M3-090	M3-189	M3-40-170-13	
M3-091	M3-194	M3-40-170-25	
M3-092	M3-195	M3-40-171-10	
M3-093	M3-198	M3-40-171-11	
M3-094	M3-200	M3-40-171-25	
M3-095	M3-203	M3-40-180-11	
M3-096	M3-207	M3-40-180-13	
M3-097	M3-208	M3-40-190-10	
M3-098	M3-21	M3-40-190-11	
M3-10	M3-210	M3-40-190-13	
M3-100	M3-212	M3-40-200-13	
M3-104	M3-223	M3-40-201-10	