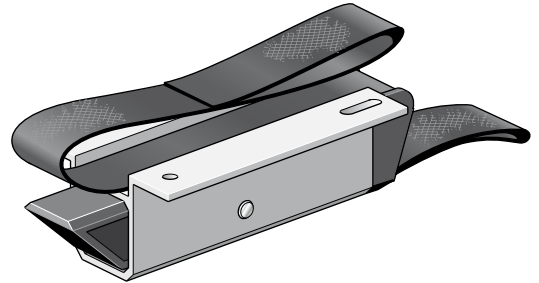
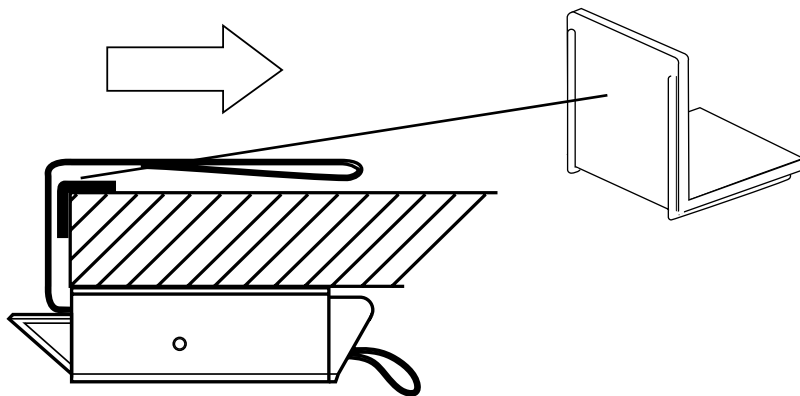


# ACCESS HARDWARE

## Operation

Protection for sharp corners prevents excessive wear of the strap

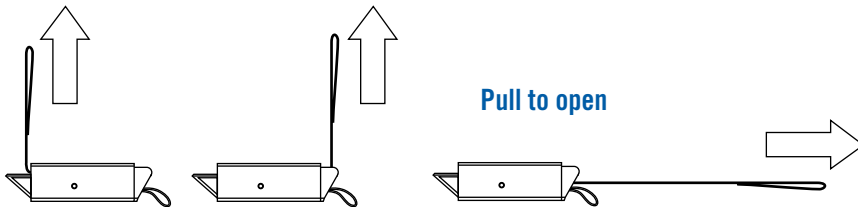


B

Pull to open

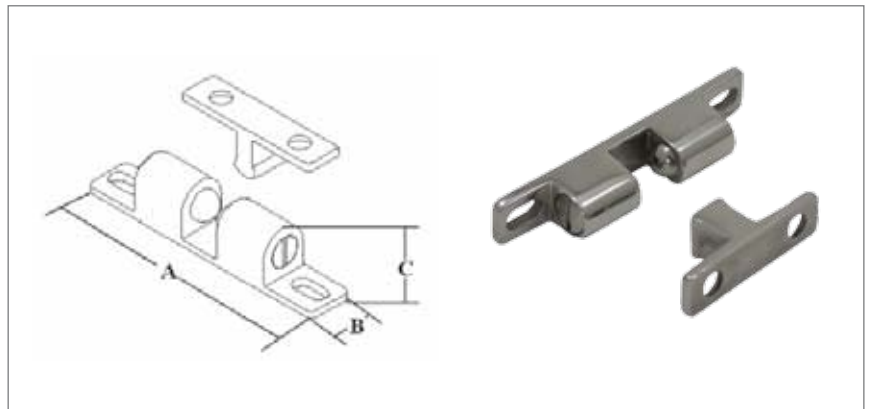
Pull to open

Pull to open



## BALL CATCH

- 316 stainless steel
- Can be easily adjusted after installation for perfect alignment
- Adjustable load force



| Part No     | A mm          | B mm       | C mm        |
|-------------|---------------|------------|-------------|
| M5-10-271-8 | 51 (2")       | 8.7 (3/8") | 10.8 (1/2") |
| M5-10-272-8 | 62.8 (2 1/2") | 10 (3/8")  | 13.2 (5/8") |

