



# R3 Push-to-Close Latch

Pull-to-open · Paddle handle · Baggage door latch

- Environmentally sealed
- Emergency release
- For use with R4 rotary latches

### Material and Finish

Latch assembly: Zinc alloy, black or white powder coated or chrome plated

Slide bolt: Zinc alloy, zinc plated

Striker mounting plates and brackets: Steel, zinc plated

### Performance Details

Max. working load: 560 N (125 lbf)

### Installation Notes

Max. tightening torque on mounting screws: 2 N·m (14 in·lbf)

### Notes

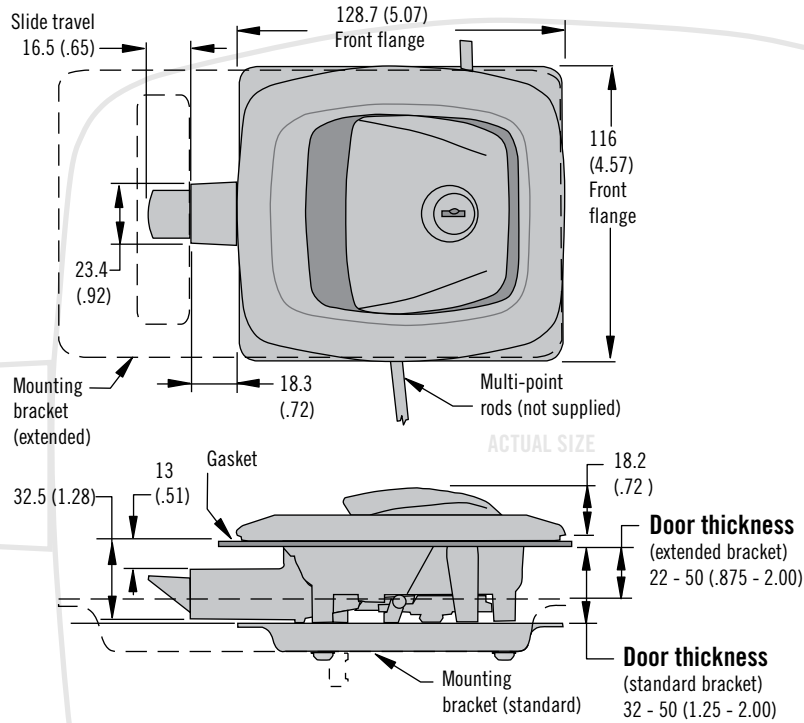
\*For lock core selection and a complete overview of the *SOUTHCO*® Key-Choice System see pages 182 -183

### Part Number

Order latch, bracket and mounting screws separately.

For latch see table

For bracket and mounting screws see page 167

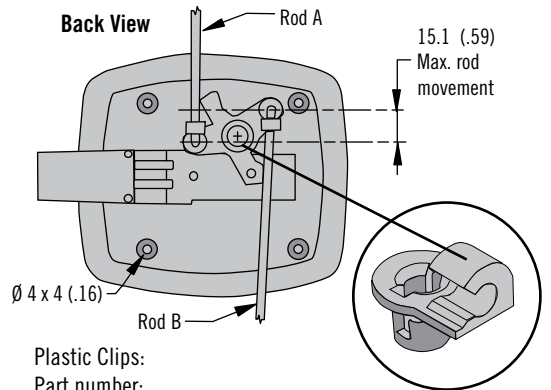
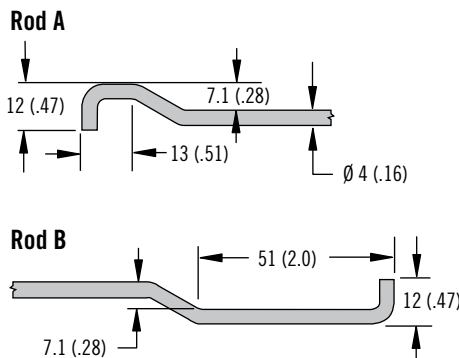


### Multi-Point Capable

For applicable rotary latches see page 121

Actuating rods are not supplied  
Recommended rod configuration shown below

Latch shown in actuated (unlatched) position (slide retracted)



Plastic Clips:  
Part number:  
R4-0-43922 for 4mm rods are available as an option

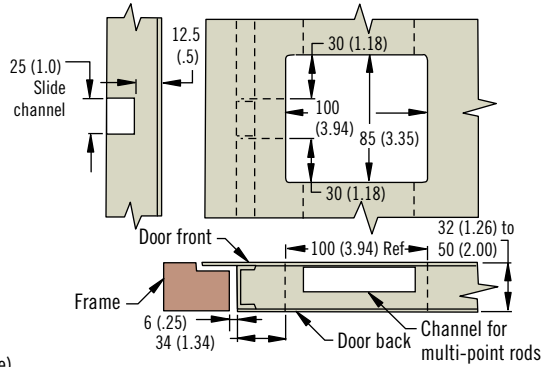
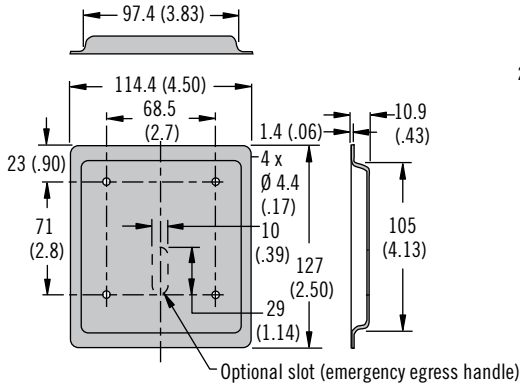
Latch Finish	Part Number			
	Locking (CH751) (2 Keys Included)	Locking (Reversible Key) R001 (2 Keys Included)	Locking (No Core)*	Non-Locking
Chrome, polished	R3-20-350-10	R3-20-320-10	R3-20-390-10	R3-20-300-10
Black powder coated	R3-20-350-50	R3-20-320-50	R3-20-390-50	R3-20-300-50
White powder coated	R3-20-350-70	R3-20-320-70	R3-20-390-70	R3-20-300-70

Dimensions in millimeters (inch) unless otherwise stated

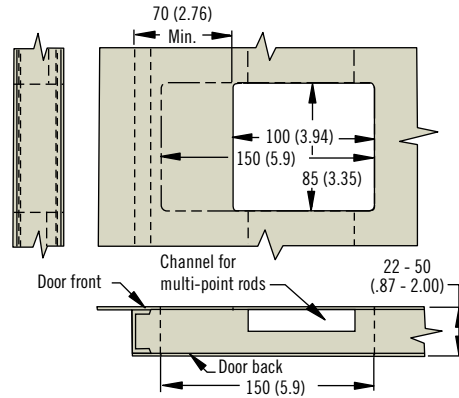
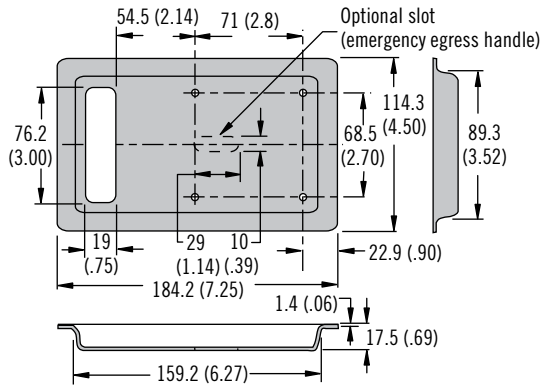


[www.southco.com/R3](http://www.southco.com/R3)

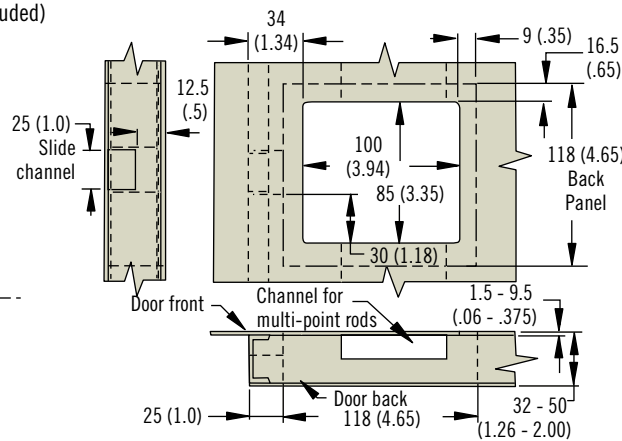
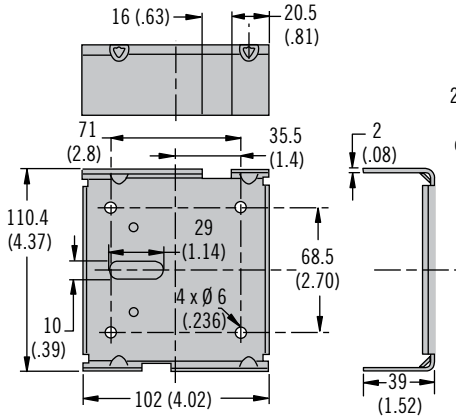
**Standard Bracket**



**Extended Bracket**



**U-Bracket (slot for emergency egress handle included)**



**Accessories**

Flat key, keyed alike CH751

(2 keys per ring)

Part number: PK-10-01



Overmolded key, keyed alike CH751

(2 keys per ring)



Part number: PK-10-01-05

Overmolded key, keyed alike R001

(2 keys per ring)

Part number: PK-10-01-KR001

Emergency egress handle (optional):

Part number: R3-21-110



**Notes**

U-bracket is intended for sheet metal door applications

**Part Number**

Order latch, bracket and mounting screws separately.

For latch see page 166

For bracket and mounting screws see table

Bracket Part Number		No. 8 Self Tapping Screw (Part Number By Length)				
		R3-23-250-01	R3-23-250-02	R3-23-250-03	R3-23-250-04	R3-23-250-05
		16 (.625) Long	19 (.750) Long	25.4 (1.00) Long	32 (1.250) Long	38 (1.500) Long
Standard Bracket	R3-23-160-11-01	32 (1.250)	32 (1.250) - 38 (1.500)	38 (1.500) - 44 (1.750)	44 (1.750) - 50 (2.00)	—
Extended Bracket	R3-23-162-11-01	22 (.875) - 25 (1.00)	25 (1.000) - 32 (1.250)	32 (1.250) - 38 (1.500)	38 (1.500) - 44 (1.750)	44 (1.750) - 50 (2.00)
U-Bracket	R3-23-161-11	1.5 (.0620) - 4.8 (.187)	4.8 (.187) - 9.5 (.375)	—	—	—
<b>Door thickness</b>						



# R3 Push-to-Close Latch

Pull-to-open · Paddle handle · Entry door latch

- Environmentally sealed
- Dual sided access and locking

### Material and Finish

Latch assembly: Zinc alloy, black powder coated or white or chrome plated

Slide bolt: Zinc alloy, zinc plated

Striker mounting plates and brackets: Steel plated, zinc plated

### Performance Details

Max. working load: 560 N (125 lbf)

Operating temperature range: -18°C (0°F) to 60°C (140°F)

### Installation Notes

Max. tightening torque on mounting screws: 2 N·m (14 in·lbf)

### Accessories

Overmolded key, keyed alike R302 (2 keys per ring)

Part number: PK-10-01-07-KR302



Replacement screws

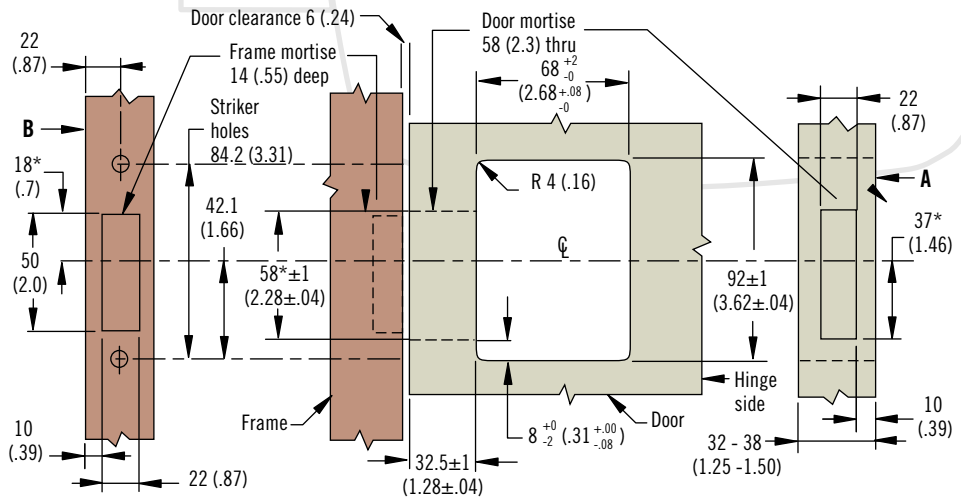
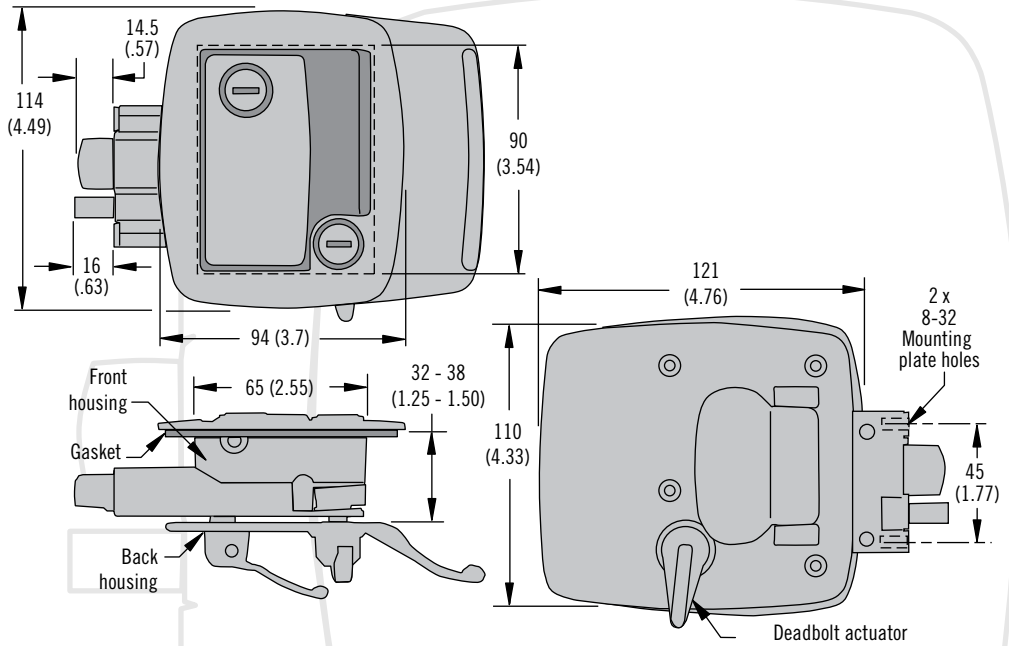
Part number: R3-13-310

### Notes

Mounting plate, striker plate and all mounting screws except striker plate screws are provided with each lock set.

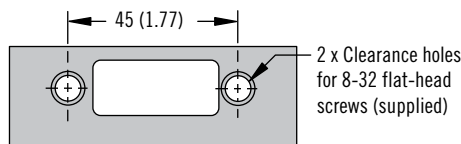
### Part Number

See table



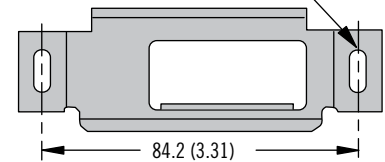
\*For left hand mounting mirror the dimensions marked with \* by moving them to the other side of the centerline.

### Mounting Plate



### Striker Plate

2 x Clearance holes for screws (not supplied)



Finish	Latch Part Number
Chrome, polished	R3-10-311-10
Black powder coated	R3-10-311-50
White Powder coated	R3-10-311-70

Part Number	
Mounting plate	R3-13-190
Striker plate	R3-13-180

Dimensions in millimeters (inch) unless otherwise stated



[www.southco.com/R3](http://www.southco.com/R3)