



MP Point Push-to-Close Latch

Pull-to-open

- Single, round-hole installation
- Flush pop out knob
- Corrosion-resistant materials
- Optional cover available for a stylish look of the latch body
- Keeper sold separately

Material and Finish

Housing: Glass-filled nylon
 Flange and knob: Zinc alloy, plated
 Cam: Zinc alloy

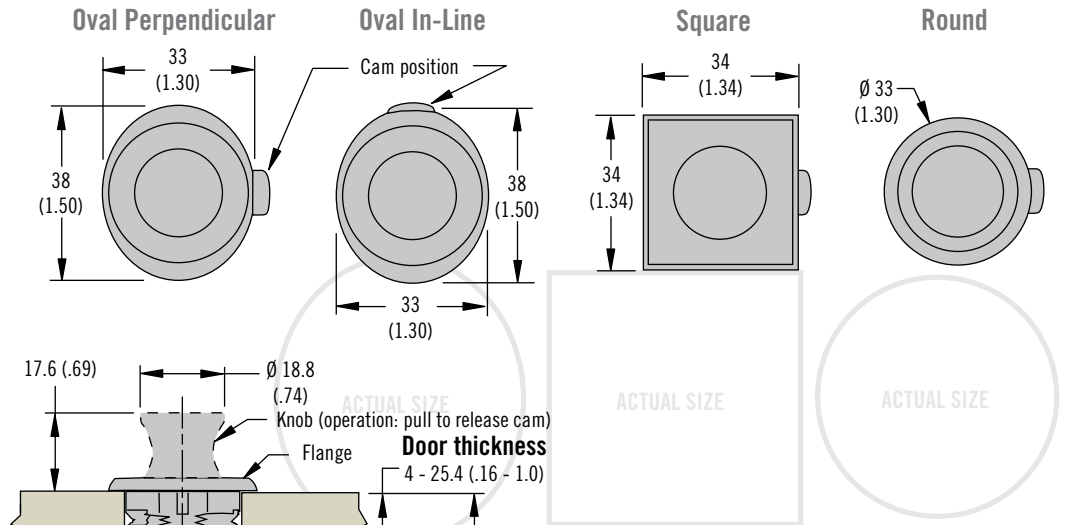
Installation Notes

Max. tightening torque on mounting nut: 4.5 N·m (40 in-lbf)

Accessories

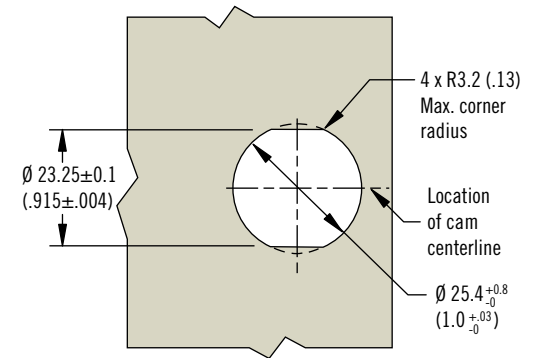
Matching pulls available see page 486

H Housing Style

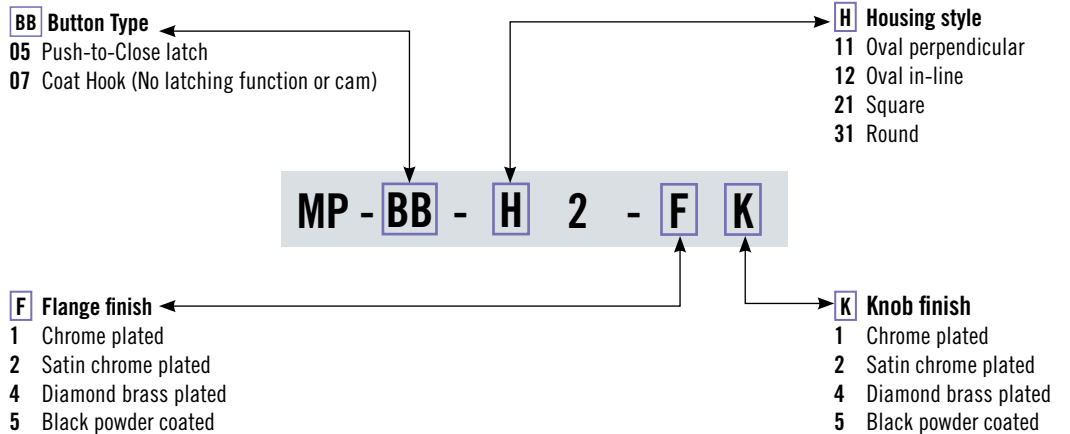


Installation

Latch Only (for keeper installation see page 157)



Part Number Selection



Dimensions in millimeters (inch) unless otherwise stated

MP-01-103-511	MP-02-103-575	MP-05-212-53	MP-07-112-51-1	MP-07-113-33-2	MP-07-114-33
MP-01-103-512	MP-02-103-577	MP-05-212-55	MP-07-112-51-2	MP-07-113-35	MP-07-114-33-0
MP-01-103-513	MP-02-103-711	MP-05-312-11	MP-07-112-52	MP-07-113-35-0	MP-07-114-33-1
MP-01-103-514	MP-02-103-712	MP-05-312-12	MP-07-112-52-0	MP-07-113-35-1	MP-07-114-33-2
MP-01-103-515	MP-02-103-715	MP-05-312-15	MP-07-112-52-1	MP-07-113-35-2	MP-07-114-51
MP-01-103-517	MP-02-103-717	MP-05-312-21	MP-07-112-52-2	MP-07-113-51	MP-07-114-51-0
MP-01-103-521	MP-02-103-722	MP-05-312-22	MP-07-112-53	MP-07-113-51-0	MP-07-114-51-1
MP-01-103-522	MP-02-103-725	MP-05-312-33	MP-07-112-53-0	MP-07-113-51-1	MP-07-114-51-2
MP-01-103-525	MP-02-103-744	MP-05-312-41	MP-07-112-53-1	MP-07-113-51-2	MP-07-114-52
MP-01-103-527	MP-02-103-751	MP-05-312-44	MP-07-112-53-2	MP-07-113-52	MP-07-114-52-0
MP-01-103-534	MP-02-103-755	MP-05-312-51	MP-07-113-11	MP-07-113-52-0	MP-07-114-52-1
MP-01-103-544	MP-02-103-771	MP-05-312-53	MP-07-113-11-0	MP-07-113-52-1	MP-07-114-52-2
MP-01-103-545	MP-02-103-772	MP-05-312-55	MP-07-113-11-1	MP-07-113-52-2	MP-07-114-53
MP-01-103-547	MP-02-103-775	MP-05-312-66	MP-07-113-11-2	MP-07-113-53	MP-07-114-53-0
MP-01-103-551	MP-02-103-777	MP-05-312-77	MP-07-113-12	MP-07-113-53-0	MP-07-114-53-1
MP-01-103-552	MP-03-100-000	MP-07-112-11	MP-07-113-12-0	MP-07-113-53-1	MP-07-114-53-2
MP-01-103-554	MP-03-100-550	MP-07-112-11-0	MP-07-113-12-1	MP-07-113-53-2	MP-07-122-11
MP-01-103-555	MP-03-100-770	MP-07-112-11-1	MP-07-113-12-2	MP-07-113-55	MP-07-122-11-0
MP-01-103-557	MP-03-101-000	MP-07-112-11-2	MP-07-113-13	MP-07-113-55-0	MP-07-122-11-1
MP-01-103-571	MP-03-101-550	MP-07-112-12	MP-07-113-13-0	MP-07-113-55-1	MP-07-122-11-2
MP-01-103-577	MP-03-101-770	MP-07-112-12-0	MP-07-113-13-1	MP-07-113-55-2	MP-07-122-12
MP-01-103-711	MP-03-110-000	MP-07-112-12-1	MP-07-113-13-2	MP-07-114-11	MP-07-122-12-0
MP-01-103-715	MP-03-110-550	MP-07-112-12-2	MP-07-113-15	MP-07-114-11-0	MP-07-122-12-1
MP-01-103-717	MP-03-110-770	MP-07-112-13	MP-07-113-15-0	MP-07-114-11-1	MP-07-122-12-2
MP-01-103-722	MP-03-111-000	MP-07-112-13-0	MP-07-113-15-1	MP-07-114-11-2	MP-07-122-13
MP-01-103-727	MP-03-111-550	MP-07-112-13-1	MP-07-113-15-2	MP-07-114-12	MP-07-122-13-0
MP-01-103-744	MP-03-111-770	MP-07-112-13-2	MP-07-113-21	MP-07-114-12-0	MP-07-122-13-1
MP-01-103-747	MP-04-33-11	MP-07-112-21	MP-07-113-21-0	MP-07-114-12-1	MP-07-122-13-2
MP-01-103-751	MP-04-33-22	MP-07-112-21-0	MP-07-113-21-1	MP-07-114-12-2	MP-07-122-21
MP-01-103-752	MP-04-33-55	MP-07-112-21-1	MP-07-113-21-2	MP-07-114-13	MP-07-122-21-0
MP-01-103-755	MP-05-112-11	MP-07-112-21-2	MP-07-113-22	MP-07-114-13-0	MP-07-122-21-1
MP-01-103-757	MP-05-112-12	MP-07-112-22	MP-07-113-22-0	MP-07-114-13-1	MP-07-122-21-2
MP-01-103-771	MP-05-112-15	MP-07-112-22-0	MP-07-113-22-1	MP-07-114-13-2	MP-07-122-22
MP-01-103-775	MP-05-112-21	MP-07-112-22-1	MP-07-113-22-2	MP-07-114-21	MP-07-122-22-0
MP-01-103-777	MP-05-112-22	MP-07-112-22-2	MP-07-113-23	MP-07-114-21-0	MP-07-122-22-1
MP-02-103-511	MP-05-112-33	MP-07-112-23	MP-07-113-23-0	MP-07-114-21-1	MP-07-122-22-2
MP-02-103-512	MP-05-112-41	MP-07-112-23-0	MP-07-113-23-1	MP-07-114-21-2	MP-07-122-23
MP-02-103-514	MP-05-112-43	MP-07-112-23-1	MP-07-113-23-2	MP-07-114-22	MP-07-122-23-0
MP-02-103-515	MP-05-112-55	MP-07-112-23-2	MP-07-113-25	MP-07-114-22-0	MP-07-122-23-1
MP-02-103-517	MP-05-122-11	MP-07-112-31	MP-07-113-25-0	MP-07-114-22-1	MP-07-122-23-2
MP-02-103-521	MP-05-122-12	MP-07-112-31-0	MP-07-113-25-1	MP-07-114-22-2	MP-07-122-31
MP-02-103-522	MP-05-122-15	MP-07-112-31-1	MP-07-113-25-2	MP-07-114-23	MP-07-122-31-0
MP-02-103-524	MP-05-122-21	MP-07-112-31-2	MP-07-113-31	MP-07-114-23-0	MP-07-122-31-1
MP-02-103-525	MP-05-122-22	MP-07-112-32	MP-07-113-31-0	MP-07-114-23-1	MP-07-122-31-2
MP-02-103-544	MP-05-122-33	MP-07-112-32-0	MP-07-113-31-1	MP-07-114-23-2	MP-07-122-32
MP-02-103-545	MP-05-122-53	MP-07-112-32-1	MP-07-113-31-2	MP-07-114-31	MP-07-122-32-0
MP-02-103-547	MP-05-122-55	MP-07-112-32-2	MP-07-113-32	MP-07-114-31-0	MP-07-122-32-1
MP-02-103-551	MP-05-212-11	MP-07-112-33	MP-07-113-32-0	MP-07-114-31-1	MP-07-122-32-2
MP-02-103-552	MP-05-212-12	MP-07-112-33-0	MP-07-113-32-1	MP-07-114-31-2	MP-07-122-33
MP-02-103-554	MP-05-212-21	MP-07-112-33-1	MP-07-113-32-2	MP-07-114-32	MP-07-122-33-0
MP-02-103-555	MP-05-212-22	MP-07-112-33-2	MP-07-113-33	MP-07-114-32-0	MP-07-122-33-1
MP-02-103-557	MP-05-212-33	MP-07-112-51	MP-07-113-33-0	MP-07-114-32-1	MP-07-122-33-2
MP-02-103-571	MP-05-212-44	MP-07-112-51-0	MP-07-113-33-1	MP-07-114-32-2	MP-07-122-51

MP-07-122-51-0	MP-07-123-33-1	MP-07-124-32-2	MP-07-212-51	MP-07-213-33-0	MP-07-214-32-1
MP-07-122-51-1	MP-07-123-33-2	MP-07-124-33	MP-07-212-51-0	MP-07-213-33-1	MP-07-214-32-2
MP-07-122-51-2	MP-07-123-35	MP-07-124-33-0	MP-07-212-51-1	MP-07-213-33-2	MP-07-214-33
MP-07-122-52	MP-07-123-35-0	MP-07-124-33-1	MP-07-212-51-2	MP-07-213-35	MP-07-214-33-0
MP-07-122-52-0	MP-07-123-35-1	MP-07-124-33-2	MP-07-212-52	MP-07-213-35-0	MP-07-214-33-1
MP-07-122-52-1	MP-07-123-35-2	MP-07-124-51	MP-07-212-52-0	MP-07-213-35-1	MP-07-214-33-2
MP-07-122-52-2	MP-07-123-51	MP-07-124-51-0	MP-07-212-52-1	MP-07-213-35-2	MP-07-214-51
MP-07-122-53	MP-07-123-51-0	MP-07-124-51-1	MP-07-212-52-2	MP-07-213-51	MP-07-214-51-0
MP-07-122-53-0	MP-07-123-51-1	MP-07-124-51-2	MP-07-212-53	MP-07-213-51-0	MP-07-214-51-1
MP-07-122-53-1	MP-07-123-51-2	MP-07-124-52	MP-07-212-53-0	MP-07-213-51-1	MP-07-214-51-2
MP-07-122-53-2	MP-07-123-52	MP-07-124-52-0	MP-07-212-53-1	MP-07-213-51-2	MP-07-214-52
MP-07-123-11	MP-07-123-52-0	MP-07-124-52-1	MP-07-212-53-2	MP-07-213-52	MP-07-214-52-0
MP-07-123-11-0	MP-07-123-52-1	MP-07-124-52-2	MP-07-213-11	MP-07-213-52-0	MP-07-214-52-1
MP-07-123-11-1	MP-07-123-52-2	MP-07-124-53	MP-07-213-11-0	MP-07-213-52-1	MP-07-214-52-2
MP-07-123-11-2	MP-07-123-53	MP-07-124-53-0	MP-07-213-11-1	MP-07-213-52-2	MP-07-214-53
MP-07-123-12	MP-07-123-53-0	MP-07-124-53-1	MP-07-213-11-2	MP-07-213-53	MP-07-214-53-0
MP-07-123-12-0	MP-07-123-53-1	MP-07-124-53-2	MP-07-213-12	MP-07-213-53-0	MP-07-214-53-1
MP-07-123-12-1	MP-07-123-53-2	MP-07-212-11	MP-07-213-12-0	MP-07-213-53-1	MP-07-214-53-2
MP-07-123-12-2	MP-07-123-55	MP-07-212-11-0	MP-07-213-12-1	MP-07-213-53-2	MP-07-312-11
MP-07-123-13	MP-07-123-55-0	MP-07-212-11-1	MP-07-213-12-2	MP-07-213-55	MP-07-312-11-0
MP-07-123-13-0	MP-07-123-55-1	MP-07-212-11-2	MP-07-213-13	MP-07-213-55-0	MP-07-312-11-1
MP-07-123-13-1	MP-07-123-55-2	MP-07-212-12	MP-07-213-13-0	MP-07-213-55-1	MP-07-312-11-2
MP-07-123-13-2	MP-07-124-11	MP-07-212-12-0	MP-07-213-13-1	MP-07-213-55-2	MP-07-312-12
MP-07-123-15	MP-07-124-11-0	MP-07-212-12-1	MP-07-213-13-2	MP-07-214-11	MP-07-312-12-0
MP-07-123-15-0	MP-07-124-11-1	MP-07-212-12-2	MP-07-213-15	MP-07-214-11-0	MP-07-312-12-1
MP-07-123-15-1	MP-07-124-11-2	MP-07-212-13	MP-07-213-15-0	MP-07-214-11-1	MP-07-312-12-2
MP-07-123-15-2	MP-07-124-12	MP-07-212-13-0	MP-07-213-15-1	MP-07-214-11-2	MP-07-312-13
MP-07-123-21	MP-07-124-12-0	MP-07-212-13-1	MP-07-213-15-2	MP-07-214-12	MP-07-312-13-0
MP-07-123-21-0	MP-07-124-12-1	MP-07-212-13-2	MP-07-213-21	MP-07-214-12-0	MP-07-312-13-1
MP-07-123-21-1	MP-07-124-12-2	MP-07-212-21	MP-07-213-21-0	MP-07-214-12-1	MP-07-312-13-2
MP-07-123-21-2	MP-07-124-13	MP-07-212-21-0	MP-07-213-21-1	MP-07-214-12-2	MP-07-312-21
MP-07-123-22	MP-07-124-13-0	MP-07-212-21-1	MP-07-213-21-2	MP-07-214-13	MP-07-312-21-0
MP-07-123-22-0	MP-07-124-13-1	MP-07-212-21-2	MP-07-213-22	MP-07-214-13-0	MP-07-312-21-1
MP-07-123-22-1	MP-07-124-13-2	MP-07-212-22	MP-07-213-22-0	MP-07-214-13-1	MP-07-312-21-2
MP-07-123-22-2	MP-07-124-21	MP-07-212-22-0	MP-07-213-22-1	MP-07-214-13-2	MP-07-312-22
MP-07-123-23	MP-07-124-21-0	MP-07-212-22-1	MP-07-213-22-2	MP-07-214-21	MP-07-312-22-0
MP-07-123-23-0	MP-07-124-21-1	MP-07-212-22-2	MP-07-213-23	MP-07-214-21-0	MP-07-312-22-1
MP-07-123-23-1	MP-07-124-21-2	MP-07-212-23	MP-07-213-23-0	MP-07-214-21-1	MP-07-312-22-2
MP-07-123-23-2	MP-07-124-22	MP-07-212-23-0	MP-07-213-23-1	MP-07-214-21-2	MP-07-312-23
MP-07-123-25	MP-07-124-22-0	MP-07-212-23-1	MP-07-213-23-2	MP-07-214-22	MP-07-312-23-0
MP-07-123-25-0	MP-07-124-22-1	MP-07-212-23-2	MP-07-213-25	MP-07-214-22-0	MP-07-312-23-1
MP-07-123-25-1	MP-07-124-22-2	MP-07-212-31	MP-07-213-25-0	MP-07-214-22-1	MP-07-312-23-2
MP-07-123-25-2	MP-07-124-23	MP-07-212-31-0	MP-07-213-25-1	MP-07-214-22-2	MP-07-312-31
MP-07-123-31	MP-07-124-23-0	MP-07-212-31-1	MP-07-213-25-2	MP-07-214-23	MP-07-312-31-0
MP-07-123-31-0	MP-07-124-23-1	MP-07-212-31-2	MP-07-213-31	MP-07-214-23-0	MP-07-312-31-1
MP-07-123-31-1	MP-07-124-23-2	MP-07-212-32	MP-07-213-31-0	MP-07-214-23-1	MP-07-312-31-2
MP-07-123-31-2	MP-07-124-31	MP-07-212-32-0	MP-07-213-31-1	MP-07-214-23-2	MP-07-312-32
MP-07-123-32	MP-07-124-31-0	MP-07-212-32-1	MP-07-213-31-2	MP-07-214-31	MP-07-312-32-0
MP-07-123-32-0	MP-07-124-31-1	MP-07-212-32-2	MP-07-213-32	MP-07-214-31-0	MP-07-312-32-1
MP-07-123-32-1	MP-07-124-31-2	MP-07-212-33	MP-07-213-32-0	MP-07-214-31-1	MP-07-312-32-2
MP-07-123-32-2	MP-07-124-32	MP-07-212-33-0	MP-07-213-32-1	MP-07-214-31-2	MP-07-312-33
MP-07-123-33	MP-07-124-32-0	MP-07-212-33-1	MP-07-213-32-2	MP-07-214-32	MP-07-312-33-0
MP-07-123-33-0	MP-07-124-32-1	MP-07-212-33-2	MP-07-213-33	MP-07-214-32-0	MP-07-312-33-1

MP-07-312-33-2	MP-07-313-33	MP-07-314-32-0
MP-07-312-51	MP-07-313-33-0	MP-07-314-32-1
MP-07-312-51-0	MP-07-313-33-1	MP-07-314-32-2
MP-07-312-51-1	MP-07-313-33-2	MP-07-314-33
MP-07-312-51-2	MP-07-313-35	MP-07-314-33-0
MP-07-312-52	MP-07-313-35-0	MP-07-314-33-1
MP-07-312-52-0	MP-07-313-35-1	MP-07-314-33-2
MP-07-312-52-1	MP-07-313-35-2	MP-07-314-51
MP-07-312-52-2	MP-07-313-51	MP-07-314-51-0
MP-07-312-53	MP-07-313-51-0	MP-07-314-51-1
MP-07-312-53-0	MP-07-313-51-1	MP-07-314-51-2
MP-07-312-53-1	MP-07-313-51-2	MP-07-314-52
MP-07-312-53-2	MP-07-313-52	MP-07-314-52-0
MP-07-313-11	MP-07-313-52-0	MP-07-314-52-1
MP-07-313-11-0	MP-07-313-52-1	MP-07-314-52-2
MP-07-313-11-1	MP-07-313-52-2	MP-07-314-53
MP-07-313-11-2	MP-07-313-53	MP-07-314-53-0
MP-07-313-12	MP-07-313-53-0	MP-07-314-53-1
MP-07-313-12-0	MP-07-313-53-1	MP-07-314-53-2
MP-07-313-12-1	MP-07-313-53-2	MP-510-16-4
MP-07-313-12-2	MP-07-313-55	MP-510-84-1
MP-07-313-13	MP-07-313-55-0	MP-510-84-2
MP-07-313-13-0	MP-07-313-55-1	MP-5113
MP-07-313-13-1	MP-07-313-55-2	
MP-07-313-13-2	MP-07-314-11	
MP-07-313-15	MP-07-314-11-0	
MP-07-313-15-0	MP-07-314-11-1	
MP-07-313-15-1	MP-07-314-11-2	
MP-07-313-15-2	MP-07-314-12	
MP-07-313-21	MP-07-314-12-0	
MP-07-313-21-0	MP-07-314-12-1	
MP-07-313-21-1	MP-07-314-12-2	
MP-07-313-21-2	MP-07-314-13	
MP-07-313-22	MP-07-314-13-0	
MP-07-313-22-0	MP-07-314-13-1	
MP-07-313-22-1	MP-07-314-13-2	
MP-07-313-22-2	MP-07-314-21	
MP-07-313-23	MP-07-314-21-0	
MP-07-313-23-0	MP-07-314-21-1	
MP-07-313-23-1	MP-07-314-21-2	
MP-07-313-23-2	MP-07-314-22	
MP-07-313-25	MP-07-314-22-0	
MP-07-313-25-0	MP-07-314-22-1	
MP-07-313-25-1	MP-07-314-22-2	
MP-07-313-25-2	MP-07-314-23	
MP-07-313-31	MP-07-314-23-0	
MP-07-313-31-0	MP-07-314-23-1	
MP-07-313-31-1	MP-07-314-23-2	
MP-07-313-31-2	MP-07-314-31	
MP-07-313-32	MP-07-314-31-0	
MP-07-313-32-0	MP-07-314-31-1	
MP-07-313-32-1	MP-07-314-31-2	
MP-07-313-32-2	MP-07-314-32	