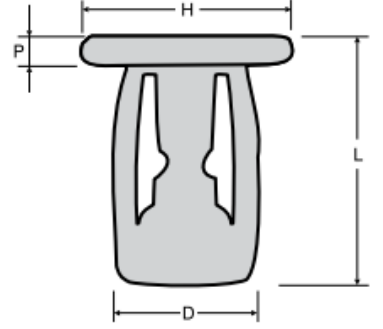


JACK NUT

JACK NUT



$\varnothing d3$		P	L [+1/-2] [mm]	 mm	D	H	ÜRÜN NO PART NO
M4	8,25	1.9	17,0	0,5 - 5,0	11.9	11.9	JN405
		1.9	22,0	0,5 - 8,0	11.9	11.9	JN410
M5	9,95	1.9	18,0	0,5 - 5,0	13.5	13.5	JN505
		1.9	23,0	0,5 - 8,0	13.5	13.5	JN510
M6	11,25	1.9	18,0	0,5 - 5,0	15.9	15.9	JN605
		1.9	23,0	0,5 - 8,0	15.9	15.9	JN610
M8	15,30	1.9	21,0	0,5 - 5,0	15.9	18.3	JN805
		1.9	26,0	0,5 - 8,0	15.9	18.3	JN810

