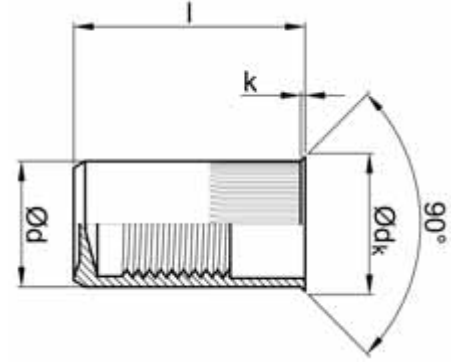

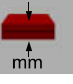


SOMUNLU PERÇİN SIZDIRMAZ ÇELİK YUVARLAK GÖVDE SIFIR KAFA

RIVET NUTS STEEL REDUCED HEAD KNURLED BODY CLOSE END



			l [+1/-2] [mm]		$\varnothing dk$ [+/-0,5] [mm]	k [mm]	d [+0/0,12] [mm]	\odot [Nm]	ÜRÜN NO PART NO
M4	$\varnothing 6,0$	\updownarrow [N] : 6.470	15,0	0,5 - 2,0	7,0	$\leq 0,5$	5,9	4,0	02.21223.M041500520
		\rightleftarrows [N] : 1.620	16,5	2,0 - 3,5	7,0 [+/-0,5]				02.21223.M041652035
M5	$\varnothing 7,0$	\updownarrow [N] : 9.090	16,5	0,5 - 2,0	8,0	$\leq 0,5$	6,9	5,0	02.21223.M051650520
		\rightleftarrows [N] : 2.190	18,0	2,0 - 3,5	8,0 [+/-0,5]				02.21223.M051802035
M6	$\varnothing 9,0$	\updownarrow [N] : 16.660	20,5	0,5 - 3,0	10,0	$\leq 0,6$	8,9	15,0	02.21223.M062050530
		\rightleftarrows [N] : 2.350	22,0	3,0 - 4,5	10,0 [+/-0,5]				02.21223.M062203045
M8	$\varnothing 11,0$	\updownarrow [N] : 21.610	23,0	0,5 - 3,0	12,0	$\leq 0,6$	10,9	18,0	02.21223.M082300530
		\rightleftarrows [N] : 2.840	24,5	3,0 - 4,5	12,0 [+/-0,5]				02.21223.M082453045
M10	$\varnothing 13,0$	\updownarrow [N] : 31.750	24,5	1,0 - 3,0	14,0	$\leq 0,7$	12,9	30,0	02.21223.M102451030
		\rightleftarrows [N] : 4.260	26,0	3,0 - 5,0	14,0 [+/-0,5]				02.21223.M102603050

