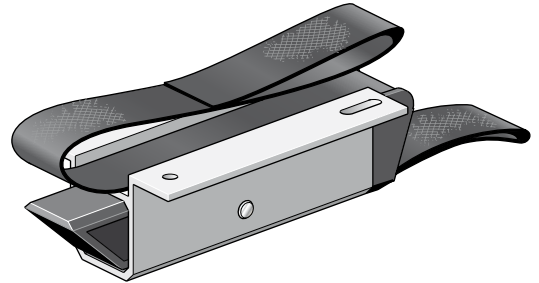
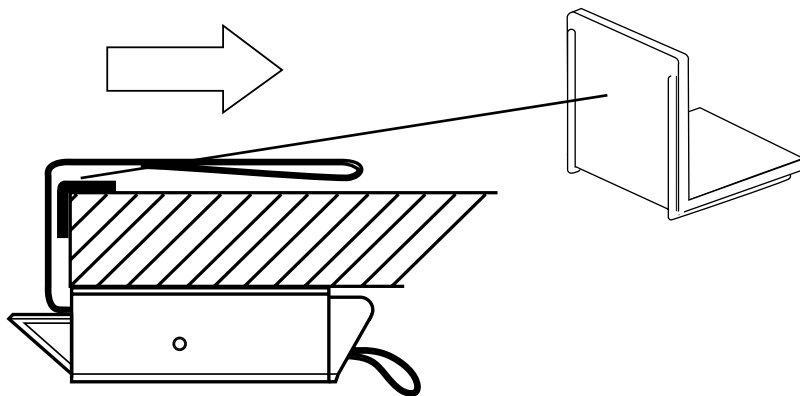


ACCESS HARDWARE

Operation

Protection for sharp corners prevents excessive wear of the strap

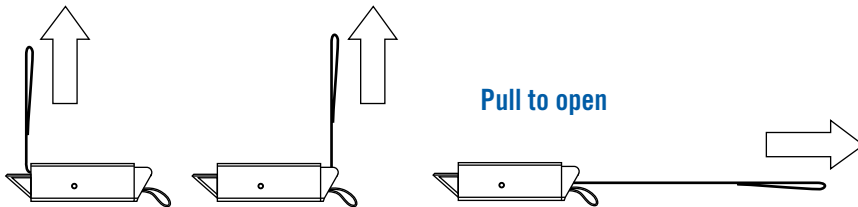


B

Pull to open

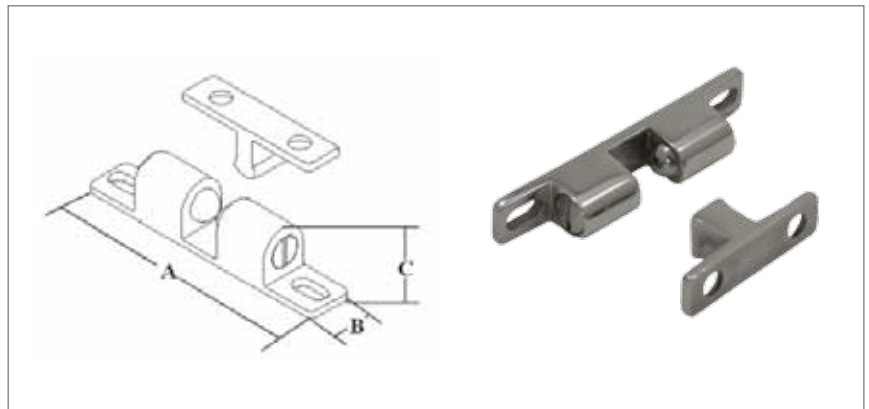
Pull to open

Pull to open



BALL CATCH

- 316 stainless steel
- Can be easily adjusted after installation for perfect alignment
- Adjustable load force



Part No	A mm	B mm	C mm
M5-10-271-8	51 (2")	8.7 (3/8")	10.8 (1/2")
M5-10-272-8	62.8 (2 1/2")	10 (3/8")	13.2 (5/8")



M5-10-271-8 M5-C-303-8
M5-10-272-8
M5-60-205-8
M5-71-120-2
M5-71-12W-2
M5-71-220-2
M5-71-22W-2
M5-71-2WW-2
M5-7A-4141-8
M5-7A-4161-8
M5-7A-4162-8
M5-7A-4241-8
M5-7A-4242-8
M5-7A-4261-8
M5-7A-4262-8
M5-7A-4341-8
M5-7A-4342-8
M5-7A-4346-8
M5-7A-4361-8
M5-7A-4362-8
M5-7A-4441-8
M5-7A-4442-8
M5-7A-4461-8
M5-7A-4462-8
M5-7A-4541-8
M5-7A-4542-8
M5-7A-4561-8
M5-7A-4562-8
M5-7A-6161-8
M5-7A-6261-8
M5-7A-6262-8
M5-7A-6361-8
M5-7A-6362-8
M5-7A-6561-8
M5-7A-6562-8
M5-7N-41-8
M5-7N-42-8
M5-7N-43-8
M5-7N-44-8
M5-7N-45-8
M5-7N-61-8
M5-7N-62-8
M5-7N-63-8
M5-7N-65-8
M5-7P-41-8
M5-7P-42-8
M5-7P-61-8
M5-7P-62-8