



01 Cam Latch

Small · Flush handle · Cup style · Adjustable grip

• **Low profile design**

Material and Finish

ABS, zinc and steel, zinc plated

Performance Details

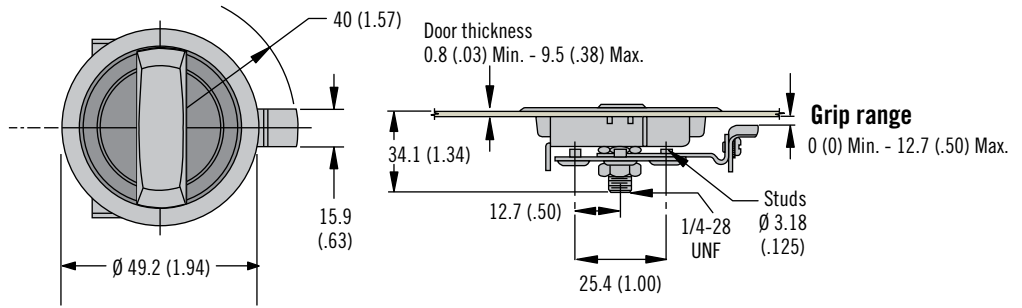
Max. static load: 160 N (35 lbf)

Flammability rating: UL94-HB

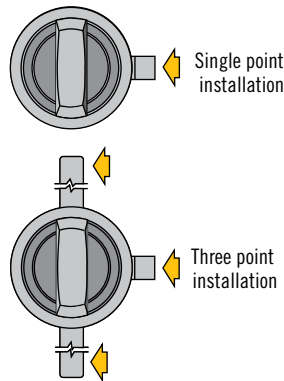
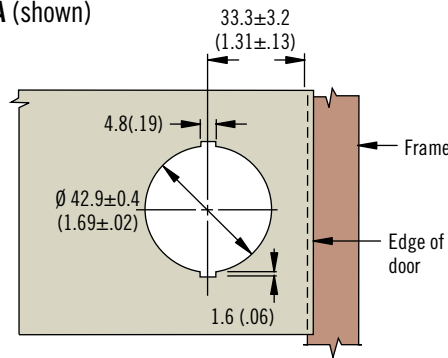
Notes

For multi-point latching options see pages 244 - 245

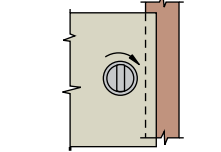
For fixed grip version see pages 90 - 91



Type A (shown)

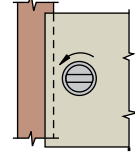


Type A Assemblies (Turn handle clockwise to latch)



Handle shown **parallel** to edge of door when latched

Type B Assemblies (Turn handle counter-clockwise to latch)



Handle shown **perpendicular** to edge of door when latched

- Mounted on either type A or B doors.
- Choose horizontal or vertical closed position of handle

Part Number Selection



R Rotation

- 1 Type B counter-clockwise to latch for parallel installation
- 2 Type B counter-clockwise to latch for perpendicular installation
- 1 Type A clockwise to latch for perpendicular installation
- 2 Type A clockwise to latch for parallel installation

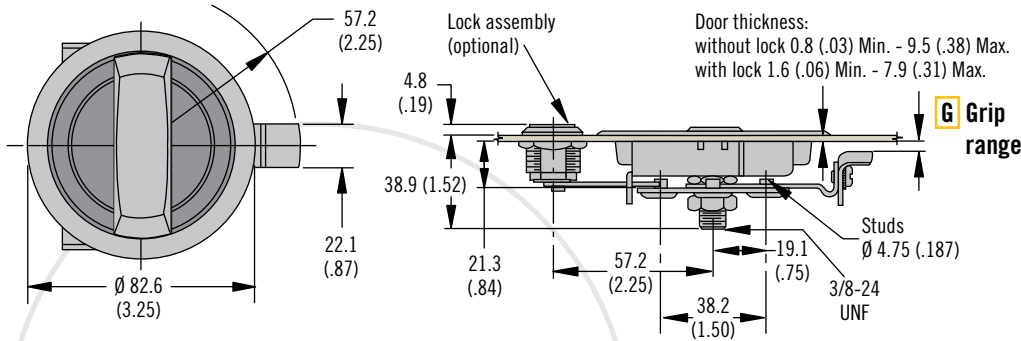
Dimensions in millimeters (inch) unless otherwise stated



www.southco.com/01

01 Cam Latch

Medium · Flush and bail handle · Cup style · Adjustable grip



• Low profile design

Material and Finish

ABS, zinc and steel, zinc plated

Performance Details

Max. static load: 220 N (50 lbf)

Flammability rating UL94-HB

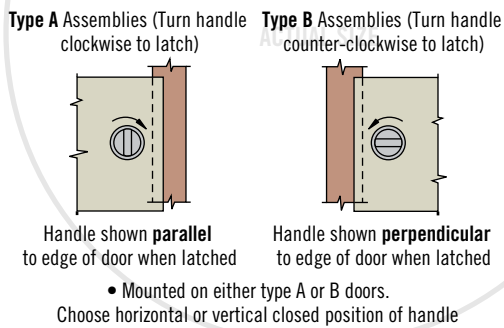
Keys

See page 98

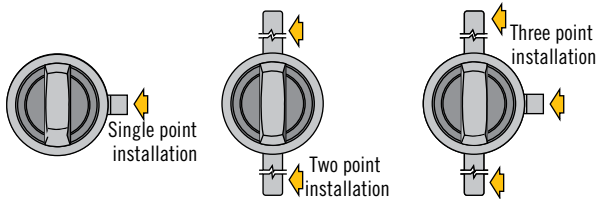
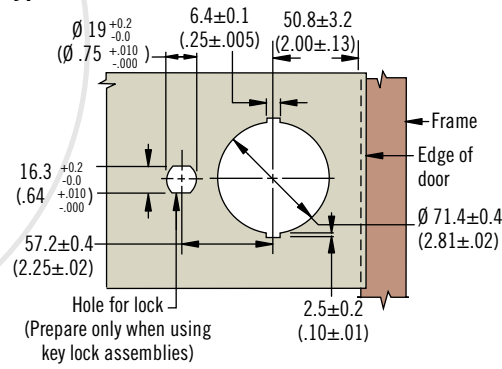
Notes

For multi-point latching options see pages 244 - 245

For fixed grip version see pages 90 - 91



Type A (shown)



Part Number Selection

- L Lock style**
- 1 Non-locking flat handle
 - 2 Non-locking folding bail handle
 - 3 Locking flat handle keyed alike CH751 (two keys supplied)
 - 4 Locking folding bail handle keyed alike CH751 (two keys supplied)

- F Finish**
- 1 Bright chrome
 - 5 Black (flat handle only)

G Grip	Grip Range	Type A	Type B	Cam Type
1	0 - 12.7 (0 - .50)	Perpendicular	Parallel	Single or three point latching
2	0 - 12.7 (0 - .50)	Parallel	Perpendicular	Single or three point latching
3	12.7 - 28.6 (.50 - 1.13)	Perpendicular	Parallel	Single or three point latching
4	12.7 - 28.6 (.50 - 1.13)	Parallel	Perpendicular	Single or three point latching
5	Two point only	Perpendicular	Parallel	Two point only
6	Two point only	Parallel	Perpendicular	Two point only

01 - L 3 - G F