



PK Lock Cores

SOUTHCO® Key-Choice System

- Lock cores ordered separately
- Greater flexibility in locking requirements

Material and Finish

Zinc alloy, chrome plated, black powder coated or with a stainless steel scalp



Key-Choice System

This icon indicates that a product is compatible with the SOUTHCO® Key-Choice System



For other lock core styles visit www.southco.com

For additional details on the SOUTHCO® Key-Choice System go to www.security.southco.com

The SOUTHCO® Key-Choice System features a common lock core that fits a wide range of SOUTHCO® latches.

This system allows for the independent selection of the correct latch for your application and the lock core required to manage the security of the end product. The guide below shows each of the latches in the SOUTHCO® Key-Choice System that can be purchased without the lock core installed.

Lock cores are sold separately which provides:

- The option to configure multiple latch styles with the same keying option
- The ability to configure the same latch style with multiple keying options
- Inventory reduction by managing multiple keying options with the lock core, while latches remain without the core installed until keying assignment is desired

Latches in the SOUTHCO® Key-Choice System

Compression	Cam	Push-to-close	Locks
<p>62 Lift and Turn Latch page 65</p>	<p>E5 Wing Style Latch page 94</p>	<p>R3-20 Baggage Door Latch page 166</p>	<p>CM-3 Sealed page 188</p>
<p>C2 Lever Latch page 74</p>	<p>E5 T-Handle Latch page 93</p>	<p>AC Actuator page 132</p>	<p>CM-6 Non-sealed page 188</p>
<p>C5 Sealed Lever Latch page 72</p>	<p>E5 L-Handle Latch page 92</p>		
	<p>E5 Flush Cup Wing Style page 90</p>		



www.southco.com/PK

Dimensions in millimeters (inch) unless otherwise stated

PK Lock Cores

SOUTHCO® Key-Choice System



Lock Cores - Disc Tumbler

Lock Core Part Number						
Keying	Key code	Bag qty	Shuttered stainless steel scalp	Non shuttered stainless steel scalp	Non shuttered black powder coated	Non shuttered chrome plated
KA	CH751	1	PK-39-72-13-KCH751	PK-132-13	PK-115-13	PK-116-13
KA	RS001	1	PK-39-72-13-RS001	PK-132-13-RS001	PK-29-15-13-RS001	PK-29-16-13-RS001
KD	10 CODES	10	PK-39-72-13-KD1010	PK-132-13-KD1010	PK-29-15-13-KD1010	PK-29-16-13-KD1010
KD	50 CODES	50	PK-39-72-13-KD1050	PK-132-13-KD1050	PK-29-15-13-KD1050	PK-29-16-13-KD1050
KD	125 CODES	125	PK-39-72-13-KD1125	PK-132-13-KD1125	PK-29-15-13-KD1125	PK-29-16-13-KD1125
MKKD	10 CODES	10	PK-39-72-13-MK1010	PK-132-13-MK1010	PK-29-15-13-MK1010	PK-29-16-13-MK1010
MKKD	50 CODES	50	PK-39-72-13-MK1050	PK-132-13-MK1050	PK-29-15-13-MK1050	PK-29-16-13-MK1050
MKKD	125 CODES	125	PK-39-72-13-MK1125	PK-132-13-MK1125	PK-29-15-13-MK1125	PK-29-16-13-MK1125

Keys	Part Number
Master Key (1)	PK-24-01
Control (Removal) Key (1)	PK-11-03

Lock Cores - Tool Operable

Head Style	Lock Core Part Number			
	Phillips recess	Slotted	4 mm Hex recess	8 mm Hex recess
Chrome plated	PK-0-34027-01	PK-0-43489-01	PK-0-34323-01	PK-0-40374-01
Black powder coated	PK-0-34027-50	PK-0-43489-50	PK-0-34323-50	PK-0-40374-50

Key code selection

KA - Keyed Alike:
All lock cores are the same key code

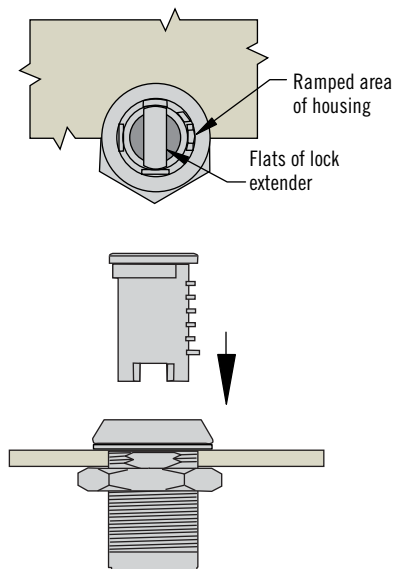
KD - Keyed Differently:
Multiple key codes provided in a non-master key system

MKKD - Master Keyed, Keyed Differently:
Multiple key codes provided in a master key system

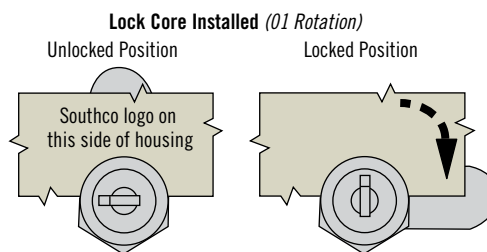
Notes

Part Number includes 1 lock core and 2 keys

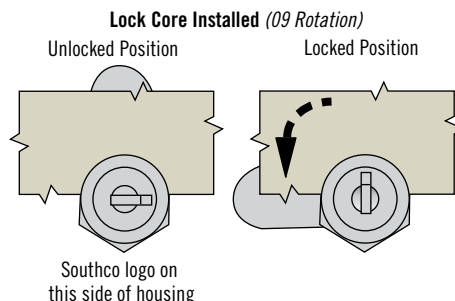
Lock Core Installation for CM-3 and CM-6 only (see page 188)



01 (Clockwise)



09 (Counter-Clockwise)



Installation Notes

1. Prepare panel and install latches shown on page 188.
2. Latch should be in unlatched position. The flats of the lock extender should be aligned with the flats on the housing.
3. Take a lock core and orient the brass wafers to the internal ramped area of the housing. Push lock core into housing until it stops.
4. Insert key into lock core and turn to verify lock core is fully seated and operating properly.
5. Install cam.