



# 92 Cam Latch

## T and L-Handle · Adjustable grip

- Round hole install
- Detents in open and closed position

### Material and Finish

Zinc alloy and steel, zinc plated

### Performance Details

Max. static load:

Short cam 400 N (90 lbf)

Long cam 200 N (45 lbf)

### Installation Notes

Screw and lockwasher assembly M4 x 10 (supplied).

For door thickness range > 3.0 (.12) calculate screw length using the following formula:

Door thickness range + 7.00 (.28)

### Keys

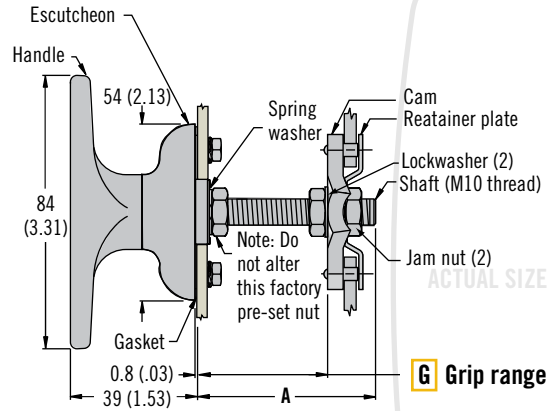
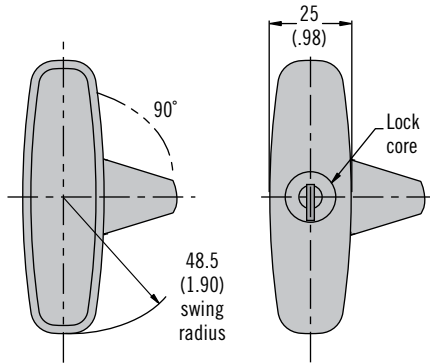
See page 98

### Notes

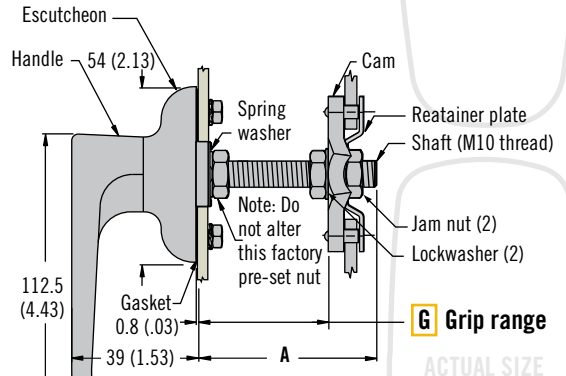
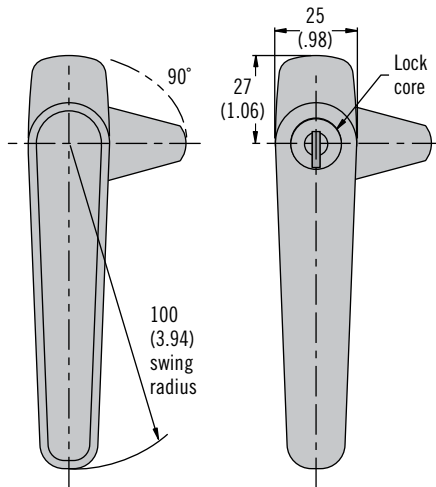
For fixed grip versions see pages 92 - 93

For version with 8 (.32) square shaft see page 111

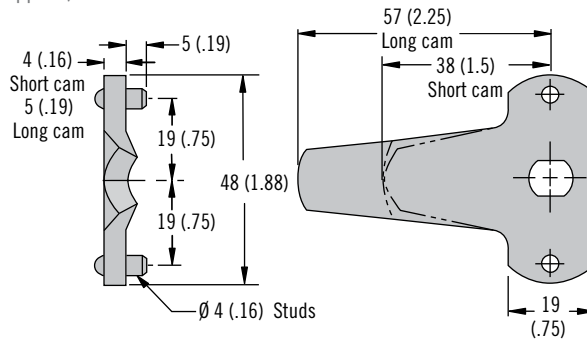
### T-Handle



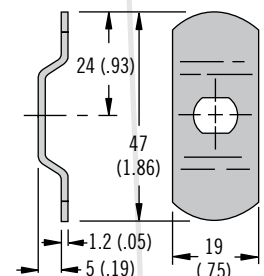
### L-Handle



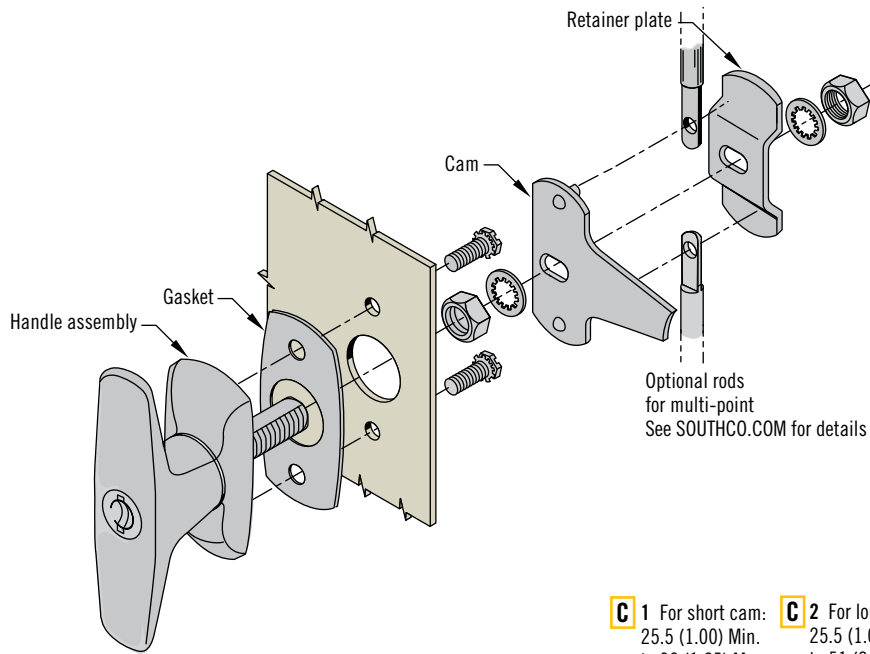
### Cam (supplied)



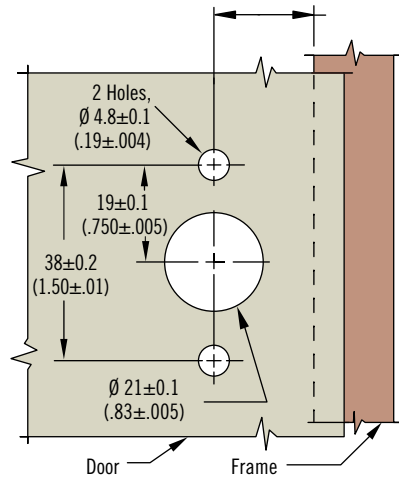
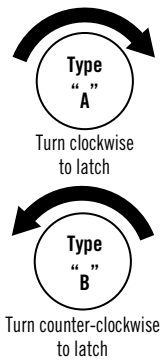
### Retainer Plate (supplied)



Dimensions in millimeters (inch) unless otherwise stated



**C 1** For short cam: 25.5 (1.00) Min. to 32 (1.25) Max.  
**C 2** For long cam: 25.5 (1.00) Min. to 51 (2.00) Max.



Part Number Selection

**R** Rotation

- 1 Type A clockwise to latch
- 2 Type B counter-clockwise to latch

**F** Finish

- 1 Bright chrome
- 5 Black powder coated

**C** Cam

- 1 Short 38 (1.5)
- 2 Long 57 (2.25)

92 - **L** **R** - **F** **G** **C**

- L** Lock style
- 1 T-handle non-locking
  - 2 T-handle key-locking CH751 (two keys supplied)
  - 3 L-handle non-locking
  - 4 L-handle key-locking CH751 (two keys supplied)

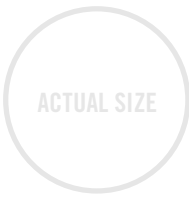
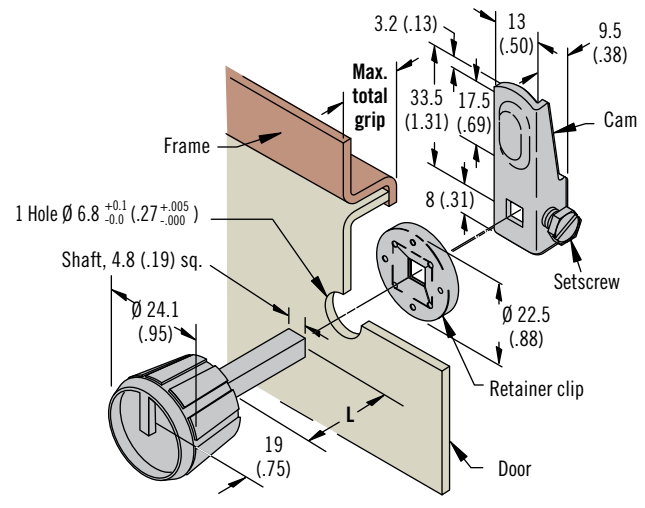
<b>G</b> Grip	Min.	Max.	A
1		19 (.75)	32 (1.25)
2	16 (.63)	32 (1.25)	44.5 (1.75)
3		44.5 (1.75)	57.5 (2.25)



# 61 Cam Latch

Universal cabinet series · Adjustable grip

## Knob Style



- Single hole installation
- Accommodates wide grip ranges

### Material and Finish

Nylon and steel, zinc plated

### Performance Details

Max. static load: 110 N (25 lbf)

### Notes

Knob style shown. Additional L-handle and flush slotted styles available

Other options available. For complete details on variety, part numbers, installation and specification, go to



[www.southco.com/61](http://www.southco.com/61)

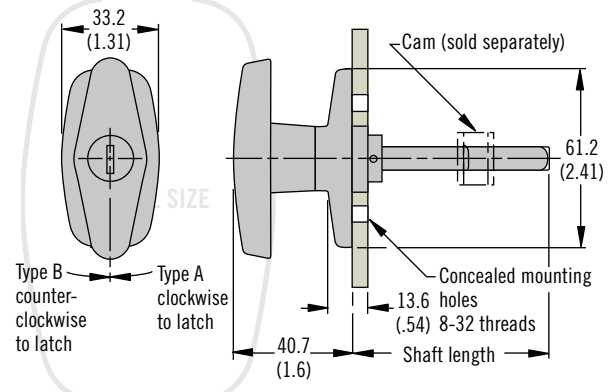
Max. Total Grip	Shaft Length L	Assembly Part number
12.5 (.50)	25.5 (1.00)	61-10-102-11
25 (1.00)	38 (1.50)	61-10-104-11
44.5 (1.75)	57 (2.25)	61-10-107-11

# 92 Cam Latch

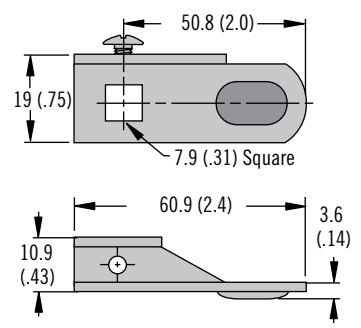
T, Compact-T and L-handle · Adjustable grip



## Compact T-handle



## Cam



- Easy cam adjustments

### Material and Finish

Zinc alloy, powder coated or chrome plated and steel, zinc plated

### Performance Details

Max. static load: 150 N (34 lbf)

### Notes

Black and chrome finish available  
For versions with threaded shaft see pages 102 - 103.  
For fixed grip versions see pages 92 - 93.

Finish	Shaft Length	Locking Compact-T Part Number	
		Type A	Type B
Black	38.1 (1.5)	92-61-113-50	92-61-213-50
	50.8 (2.0)	92-61-114-50	92-61-214-50
	63.5 (2.5)	92-61-115-50	92-61-215-50

Cam Part Number
92-24-203-12

Compact T-handle style shown. T and L-handle style available. Locking and non-locking.

Other options available. For complete details on variety, part numbers, installation and specification, go to



[www.southco.com/92](http://www.southco.com/92)



Dimensions in millimeters (inch) unless otherwise stated