



64 Push-to-Close Latch

Pull-to-open · Paddle latch · Miniature

- Single hole installation
- Concealed mounting
- Plastic slide

Material and Finish

Stainless steel passivated and brushed finish and glass reinforced nylon, black

Performance Details

Max. working load:

90 N (20 lbf)

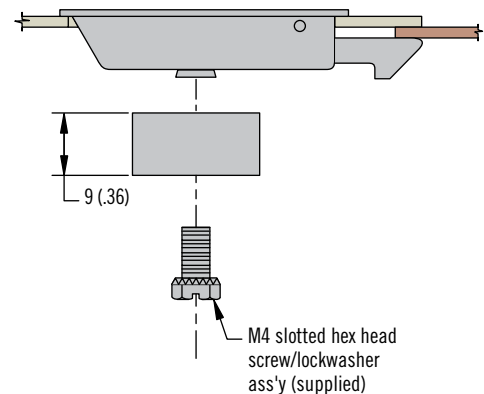
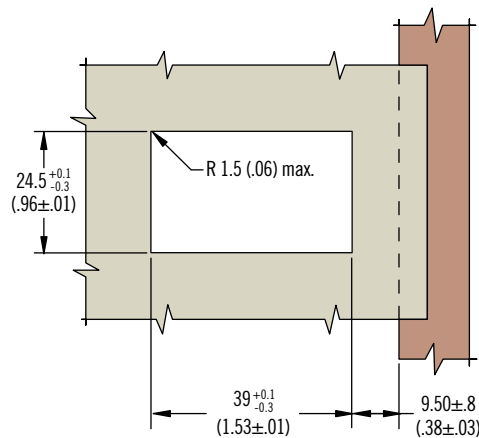
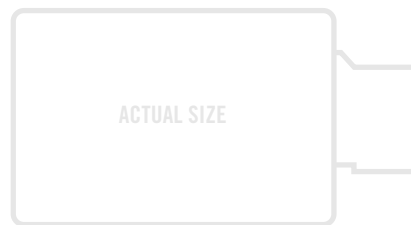
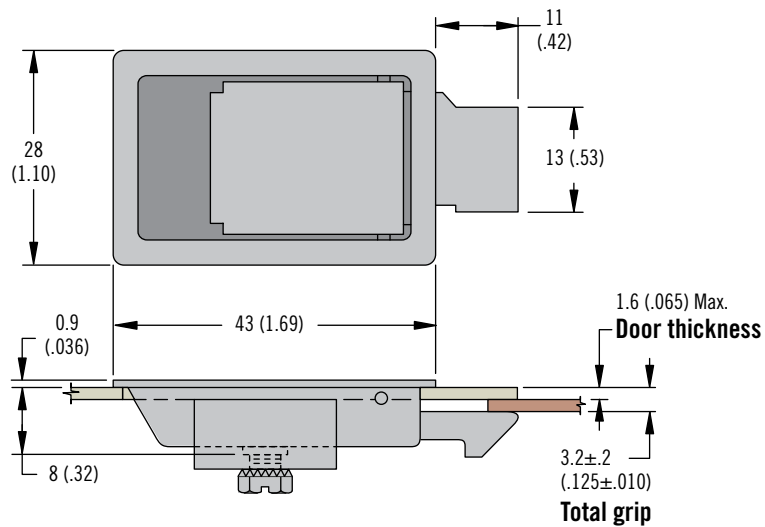
Operating temperature range:

-18°C (0°F) to 100°C (210°F)

Flammability rating: UL94-V0

Installation Notes

Max. tightening torque on mounting screws: 0.9 N·m (8 in·lbf)



Part Number

See table

Part Number

64-01-10



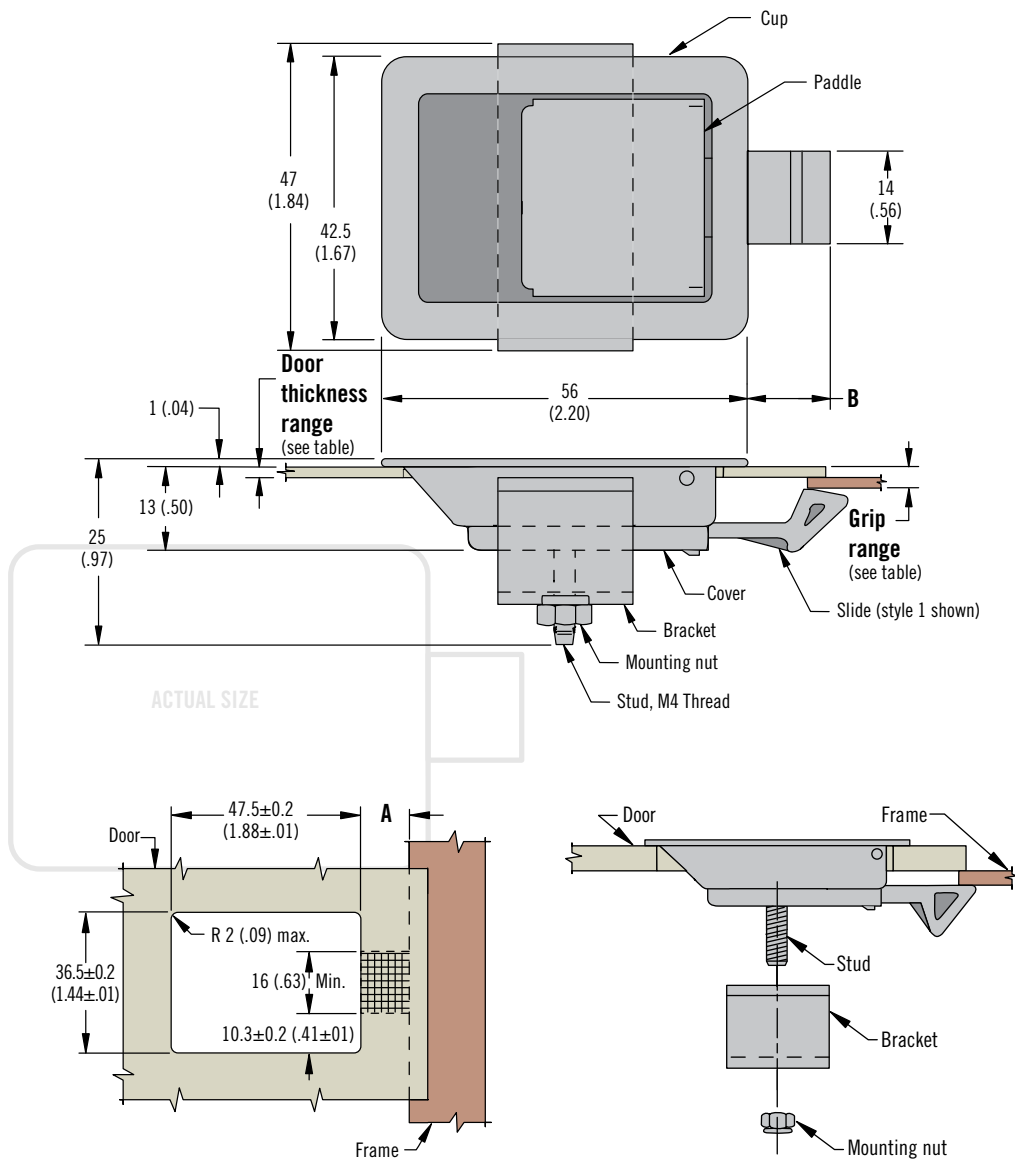
www.southco.com/64

Dimensions in millimeters (inch) unless otherwise stated

southco
CONNECT · CREATE · INNOVATE

64 Push-to-Close Latch

Pull-to-open · Paddle latch · Small



- Single hole installation
- Concealed mounting
- Plastic slide



Material and Finish

Stainless steel passivated and brushed or black powder coated and glass reinforced nylon, natural

Performance Details

Max. working load:

Style	Max. Static Load N (lbf)
1	130 (30)
2	110 (25)
3	90 (20)
4	70 (15)
5	55 (12)

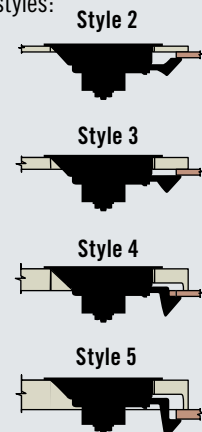
Operating temperature range:
-18°C (0°F) to 100°C (210°F)

Flammability rating: UL94-V0

Installation Notes

Door thickness must not exceed T dimension (see table) in area through which slide will operate. It may be necessary to reduce thickness of door in area indicated by grid.

Slide styles:



Grip Range		Slide Style	A		B	T (See Notes)	Part Number Brushed Finish			
Min.	Max.		Min.	Max.			Door Thickness Range			
							3.7 (.144) Max.	3.9 - 7.3 (.154 - .288)	11.1 - 14.6 (.437 - .576)	18.6 - 22 (.734 - .868)
1.2 (.05)	2 (.08)	1	10.4 (.41)	12.7 (.50)	12.4 (.49)	1.6 (.063)	64-10-111-50	~	~	~
2.8 (.11)	3.6 (.14)	2	11.9 (.47)	14.2 (.56)	14.2 (.56)	3.2 (.125)	64-10-113-50	64-10-133-50	~	~
6 (.23)	6.7 (.27)	3				6.4 (.250)	64-10-124-50	64-10-114-50	~	~
12.3 (.48)	13.1 (.52)	4				7.1 (.281)	64-10-125-50	64-10-135-50	64-10-115-50	64-10-115-50
18.6 (.73)	19.4 (.77)	5				7.1 (.281)	64-10-126-50	~	64-10-116-50	64-10-116-50

Notes

For an assembly with black powder coated finish change last digit from 0 to 5 - Example: 64-10-111-55



64 Push-to-Close Latch

Pull-to-open · Paddle latch · Small

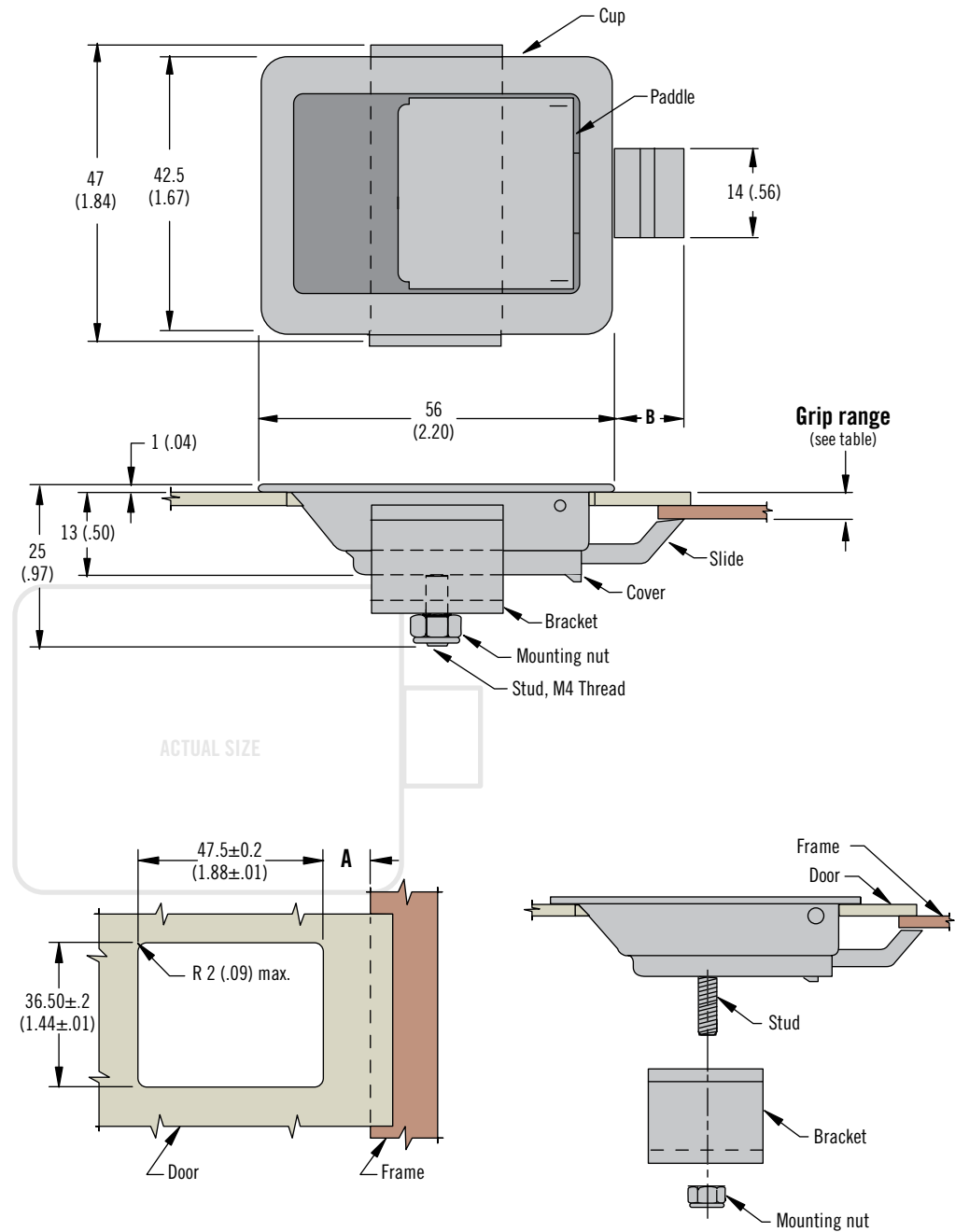
- Single hole installation
- Concealed mounting
- Metal slide

Material and Finish

Stainless steel passivated and brushed or black powder coated, steel, chrome plated

Performance Details

Max. working load:
222 N (50 lbf)



Part Number

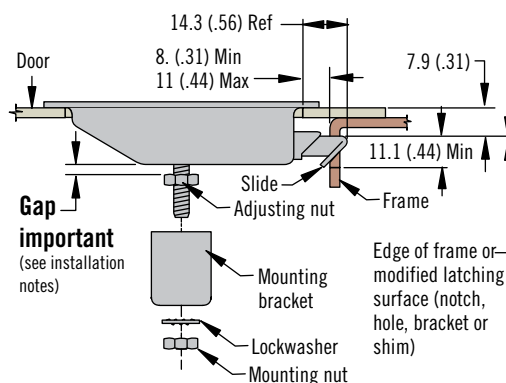
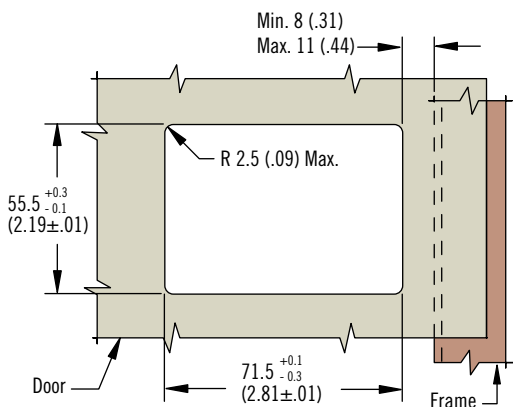
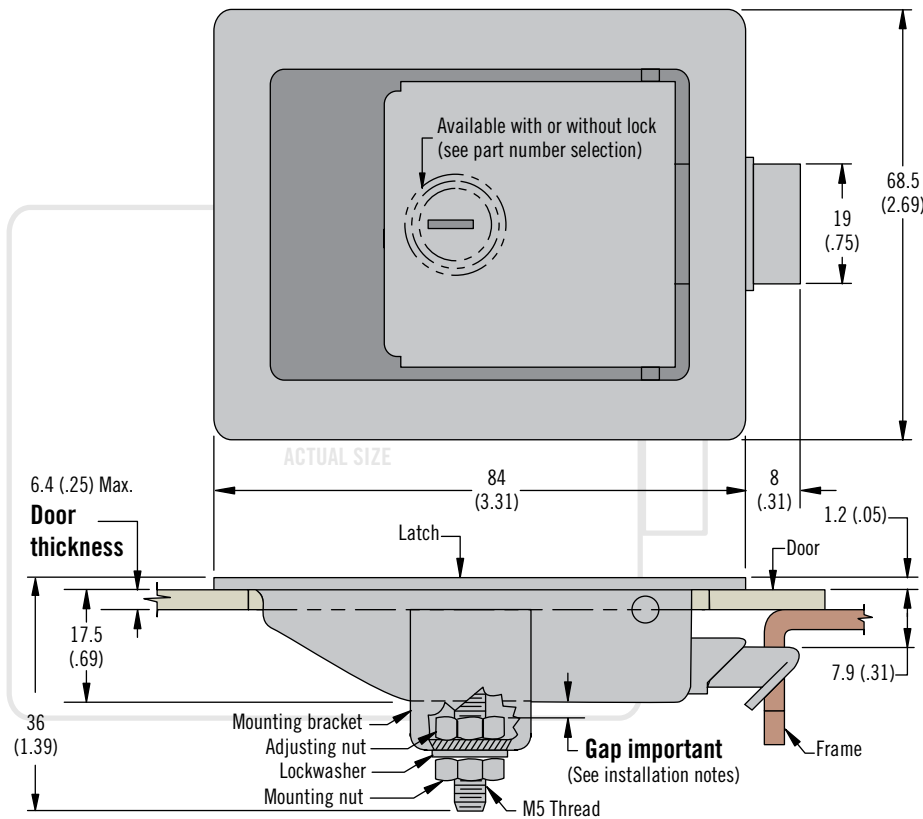
See table

Grip Range		Part Number		A		B
Min.	Max.	Stainless Steel, Brushed	Stainless Steel Black Powder coated	Min.	Max.	
1.2 (.05)	2 (.08)	64-11-10	64-11-12	10.4 (.41)	12.7 (.50)	11.5 (.45)
2 (.08)	2.8 (.11)	64-11-20	64-11-22	11.2 (.44)	13.5 (.53)	11.9 (.47)
2.8 (.11)	3.6 (.14)	64-11-30	64-11-32	11.9 (.47)	14.2 (.56)	12 (.48)



64 Push-to-Close Latch

Pull-to-open · Paddle latch · Medium



- Single hole installation
- Concealed mounting
- Metal slide

Material and Finish

Stainless steel brushed, steel, zinc plated or steel, black powder coated or silver

Performance Details

Max. working load:
570 N (125 lbf)

Installation Notes

Measure your door thickness and set adjusting nut so that GAP is equal to door thickness within plus 0.8 (.03), minus 0.0 (.00).

Accessories

Flat key, keyed alike H257
(2 keys per ring)
Part number: 64-0-33578

Part Number Selection

64 - 2 L - 1 M

L Lock style

- 1 Non-locking
- 2 Key-locking keyed alike H257 (2 keys supplied)

M Material

- 0 Stainless steel, brushed
- 1 Steel, black powder coated
- 3 Steel, zinc plated
- 5 Steel, powder coated silver



64 Push-to-Close Latch

Pull-to-open · Paddle latch · Large

- Single hole installation
- Concealed mounting
- Metal slide

Material and Finish

Stainless steel, brushed, steel, zinc plated or steel, black powder coated

Performance Details

Max. working load: 1110 N (250 lbf)

Installation Notes

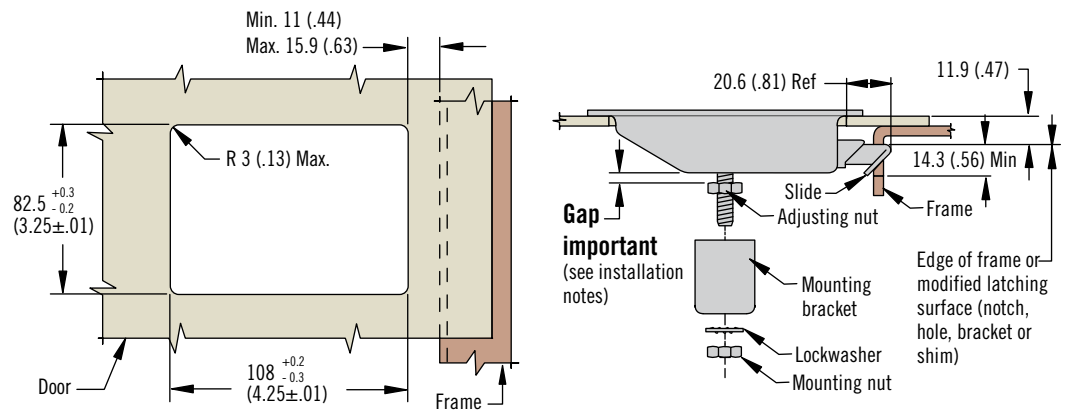
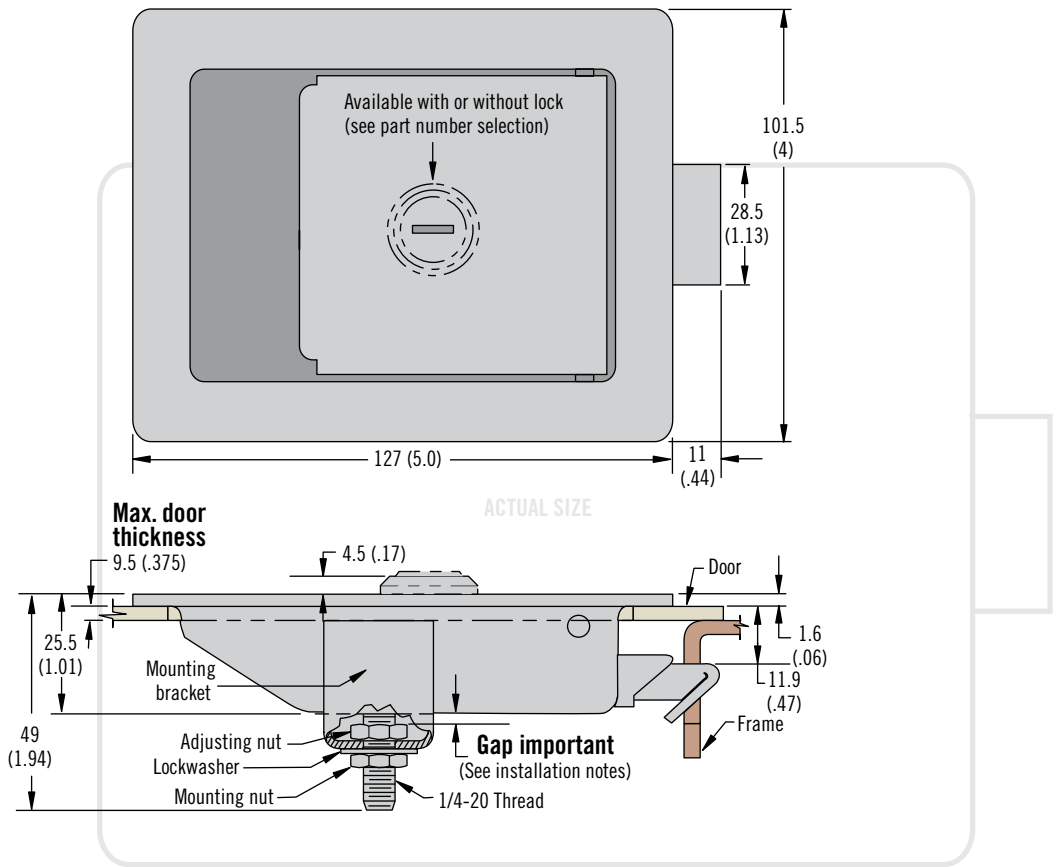
Measure your door thickness and set adjusting nut so that GAP is equal to door thickness within plus 0.8 (.03), minus 0.0 (.00)

Accessories

Flat key, keyed alike CH751 (2 keys per ring)
Part number: PK-10-01



Overmolded key, keyed alike CH751 (2 keys per ring)
Part number: PK-10-01-05



Part Number Selection

64 - 10 - 30 **L** - **M** **0**

M Material

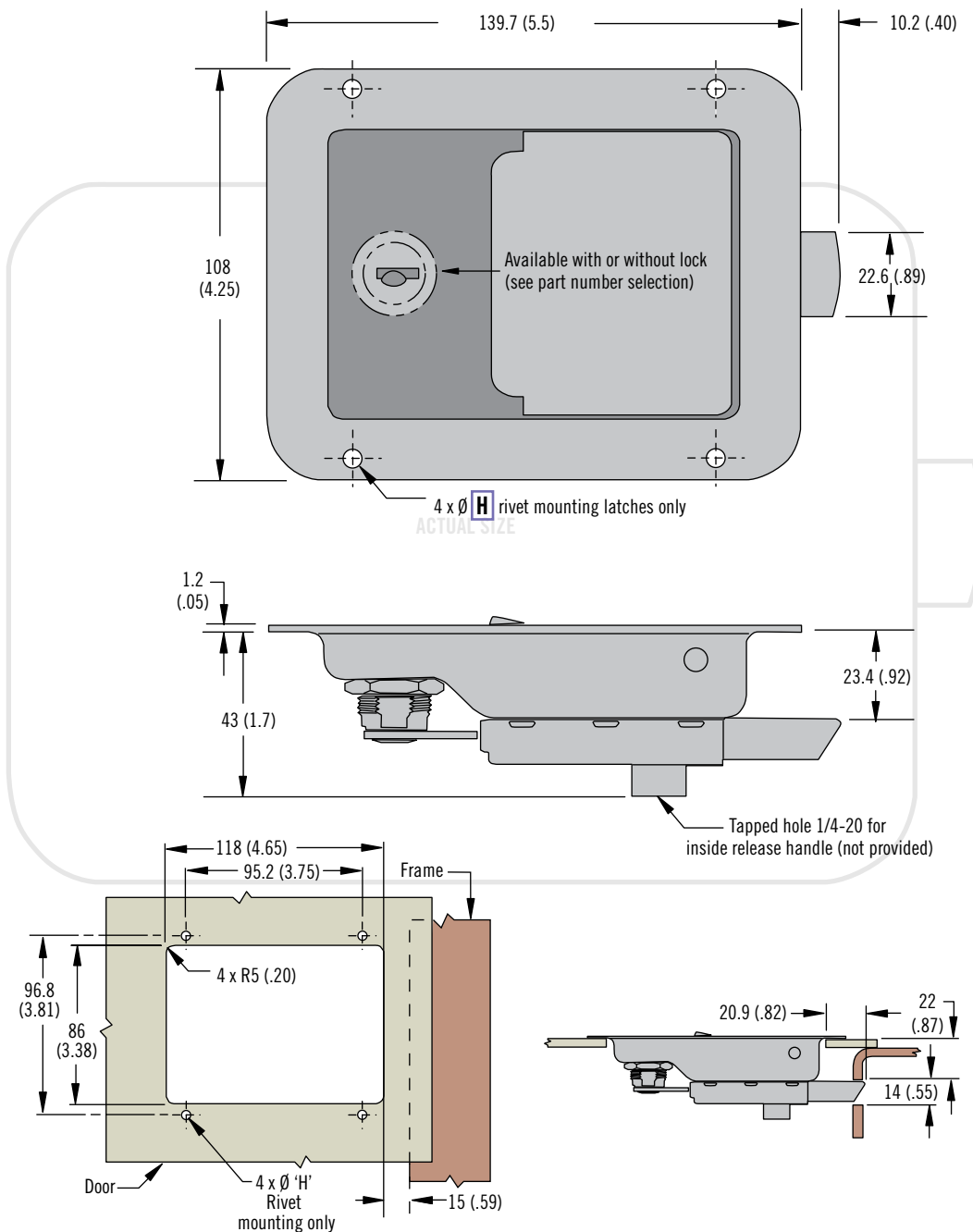
- 4 Steel, zinc plated
- 5 Stainless steel brushed
- 9 Steel, black powder coated

L Lock style

- 1 Non-locking
- 2 Key-locking keyed alike H257 (2 keys supplied)

64 Push-to-Close Latch

Pull-to-open · Paddle latch · Large



- Single hole installation
- Multiple mounting styles
- Inside actuation in locked or unlocked position

Material and Finish

Stainless steel, polished, steel, zinc plated or steel, black powder coated
 Slide bolt and lock assembly:
 Zinc plated or powder coated

Performance Details

Max. working load: 560 N (125 lbf)

Accessories

Flat key, keyed alike CH751
 (2 keys per ring)
 Part number: PK-10-01



Overmolded key, keyed alike CH751
 (2 keys per ring)
 Part number: PK-10-01-05



Part Number Selection

64 - 50 - 4 L H - M

L Lock style
 0 Non-locking
 1 Key-locking keyed alike CH751 (2 keys supplied)

H Housing
 0 Weld
 1 Rivet through hole 4.9 (.19)
 2 Rivet through hole 5.2 (.20)

M Material
 10 Steel, zinc plated
 20 Stainless steel polished
 50 Steel, black powder coated



64 Push-to-Close Actuator

Pull-to-open · Paddle handle actuator · Multi-point · Large

- For use with R4 rotary latches
- Multiple mounting styles

Material and Finish

Stainless steel, polished, steel, zinc plated or black powder coated

Accessories

Flat key, keyed alike CH751
(2 keys per ring)
Part number: PK-10-01



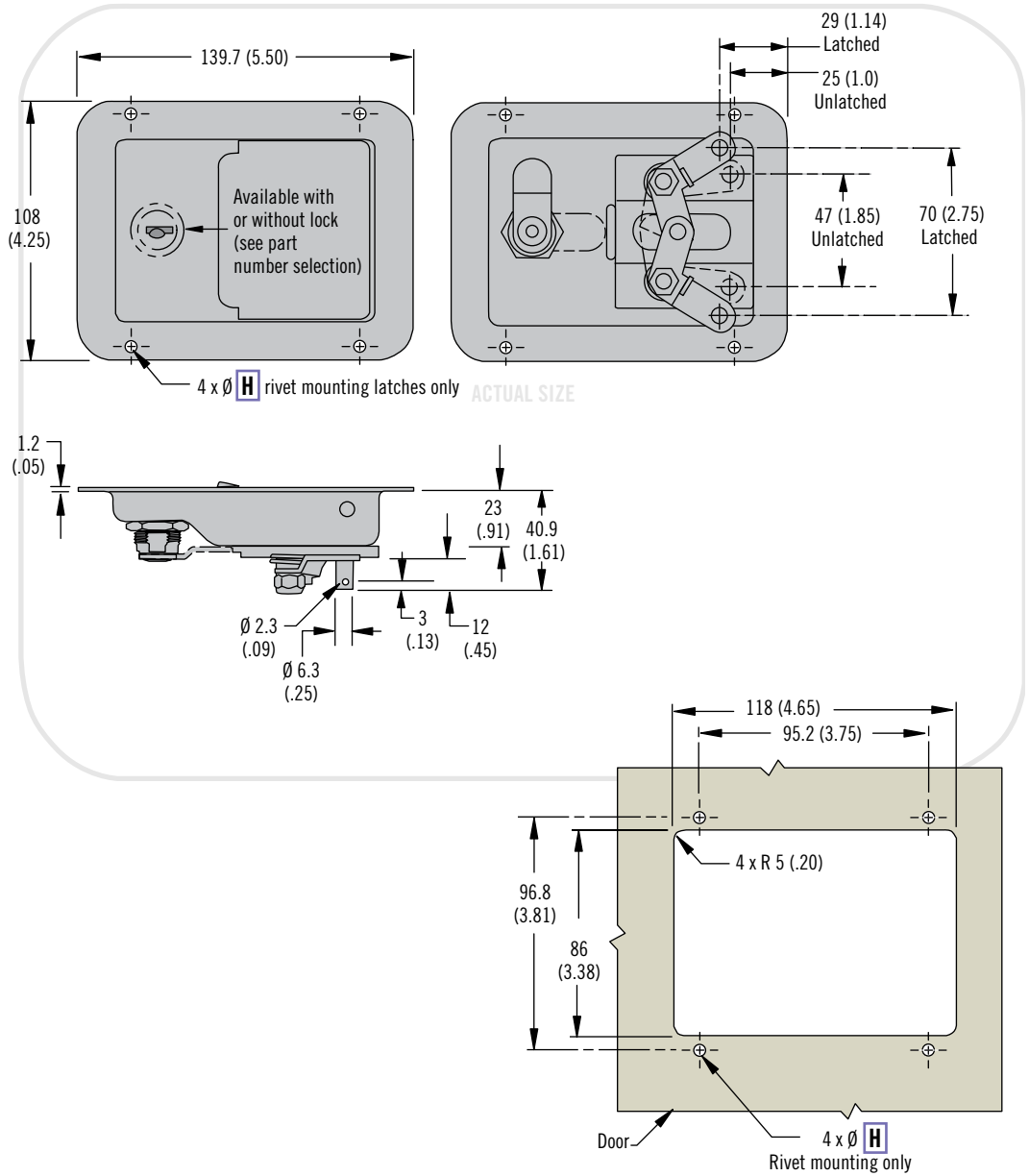
Overmolded key, keyed alike CH751
(2 keys per ring)
Part number: PK-10-01-05



Notes

Contact Southco for recommended cable or rods

For applicable rotary latches see page 121



Part Number Selection

H Housing	←	M Material
0 Weld		10 Steel, zinc plated
1 Rivet through hole 4.9 (.19)		20 Stainless steel, polished
2 Rivet through hole 5.2 (.20)		50 Steel, black powder coated

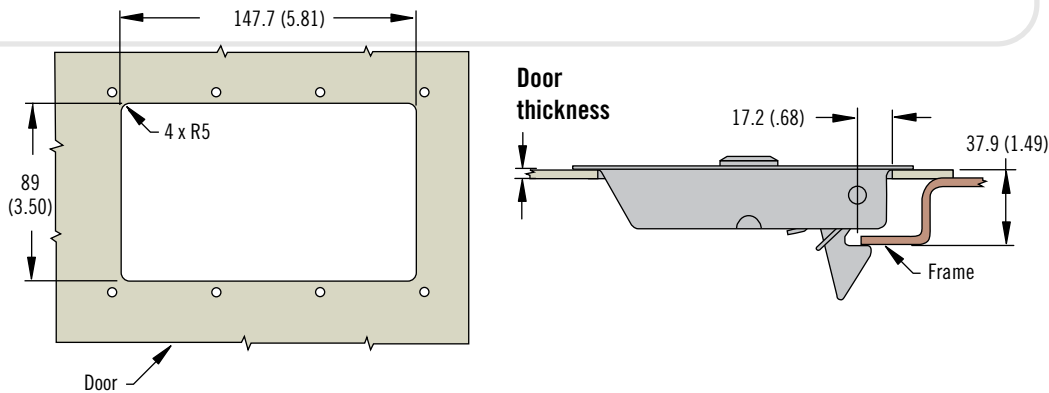
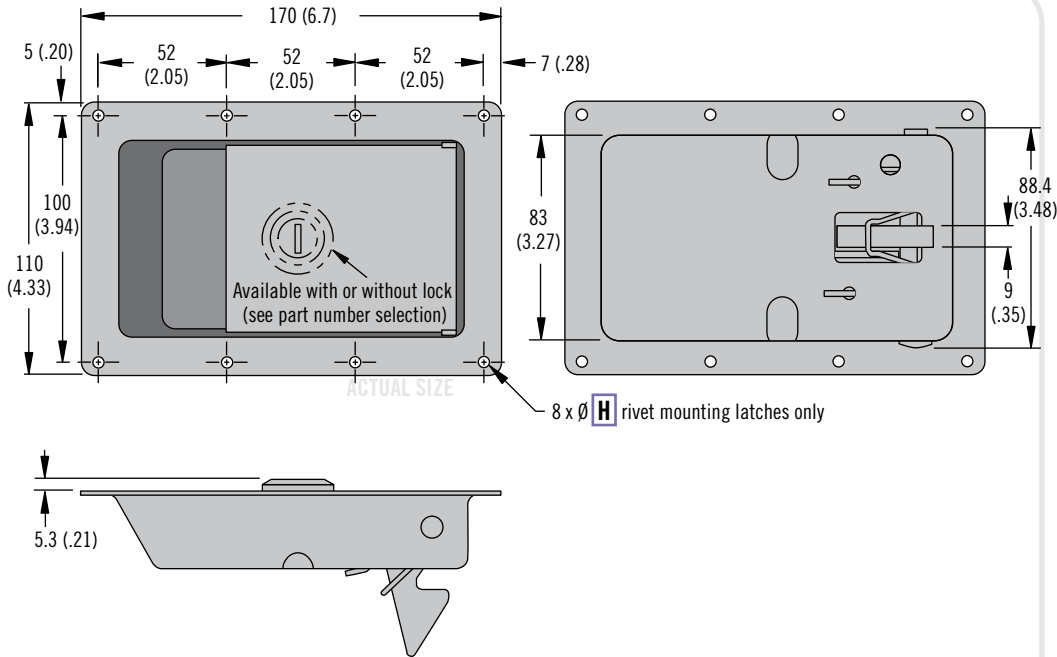
64 - 40 - 4 L H - M

L Lock style	←
0 Non-locking	
1 Key-locking keyed alike CH751 (2 keys supplied)	

Dimensions in millimeters (inch) unless otherwise stated

64 Push-to-Close Latch

Pull-to-open · Paddle latch · Heavy-duty pivot



- Robust design resists binding from dirt and debris
- Multiple mounting styles

Material and Finish

Steel, zinc plated or black powder coated

Slide bolt and lock assembly:

Zinc plated or powder coated

Performance Details

Max. working load: 2700 N (607 lbf)

Accessories

Flat key, keyed alike 14603

(2 keys per ring)

Part number: PK-10-01-14603



Part Number Selection

64 - 60 - 5 L H - M

L Lock style
 0 Non-locking
 1 Key-locking keyed alike 14603 (2 keys supplied)

H Housing
 0 Weld
 1 Rivet through hole 4.9 (.19)
 2 Rivet through hole 5.2 (.20)

M Material
 10 Steel, zinc plated
 50 Steel, black powder coated

64-01-10	64-21-11	64-50-410-30	64-948-19
64-01-10-3	64-21-13	64-50-410-50	64-949-19
64-0-33578	64-21-15	64-50-410-52	64-950-19
64-10-111-50	64-22-10	64-50-411-10	64-983-22
64-10-111-55	64-22-11	64-50-411-20	64-99-186-55
64-10-113-50	64-22-13	64-50-411-30	
64-10-113-50-2	64-22-15	64-50-411-50	
64-10-113-55	64-40-400-10	64-50-411-52	
64-10-114-50	64-40-400-20	64-50-412-10	
64-10-114-50-2	64-40-400-50	64-50-412-20	
64-10-114-55	64-40-400-52	64-50-412-30	
64-10-115-50	64-40-401-10	64-50-412-50	
64-10-115-55	64-40-401-20	64-50-412-52	
64-10-116-50	64-40-401-50	64-60-500-10	
64-10-116-55	64-40-401-52	64-60-500-30	
64-10-124-50	64-40-402-10	64-60-500-50	
64-10-124-50-2	64-40-402-20	64-60-501-10	
64-10-124-55	64-40-402-50	64-60-501-30	
64-10-125-50	64-40-402-52	64-60-501-50	
64-10-125-50-2	64-40-410-10	64-60-502-10	
64-10-125-55	64-40-410-20	64-60-502-30	
64-10-126-50	64-40-410-50	64-60-502-50	
64-10-126-55	64-40-410-52	64-60-510-10	
64-10-133-50	64-40-411-10	64-60-510-30	
64-10-133-55	64-40-411-20	64-60-510-50	
64-10-135-50	64-40-411-50	64-60-511-10	
64-10-135-55	64-40-411-52	64-60-511-30	
64-10-135-55-2	64-40-412-10	64-60-511-50	
64-10-136-50	64-40-412-20	64-60-512-10	
64-10-136-50-2	64-40-412-50	64-60-512-30	
64-10-136-55	64-40-412-52	64-60-512-50	
64-10-301-40	64-50-400-10	64-60-602-10	
64-10-301-50	64-50-400-20	64-70-401-10	
64-10-301-90	64-50-400-30	64-904-10	
64-10-302-40	64-50-400-50	64-906-10	
64-10-302-50	64-50-400-52	64-907-10	
64-10-302-90	64-50-401-10	64-907-12	
64-11-10	64-50-401-20	64-908-10	
64-11-10-2	64-50-401-30	64-908-12	
64-11-12	64-50-401-50	64-909-10	
64-11-20	64-50-401-52	64-909-12	
64-11-20-2	64-50-402-10	64-910-10	
64-11-22	64-50-402-20	64-911-10	
64-11-30	64-50-402-30	64-911-12	
64-11-30-2	64-50-402-50	64-912-10	
64-11-32	64-50-402-52	64-912-12	
64-18-301-11	64-50-410-10	64-947-217	
64-21-10	64-50-410-20	64-947-29	