



# C2 Compression Latch

## Lever latch

- Low profile when latched
- Easy grip adjustment
- Push button actuation
- Optional Sealing

### Material and Finish

Zinc alloy, powder coated or chrome plated and steel, zinc plated

### Performance Details

Maximum static load: 200 N (45 lbf)

### Sealing Notes

For sealed option, NEMA 4 / IP65 sealing is achieved by using the supplied flange gasket.

### Installation Notes

\* For door thickness greater than 5 (.20) calculate screw length using the following formula:

Door thickness + 12 (.47)

### Accessories

Rubber Bumper:

Part Number: C2-25-301-82

(reduces min. and max. grip by 2 (0.08) )



### Keys

See [www.southco.com](http://www.southco.com)

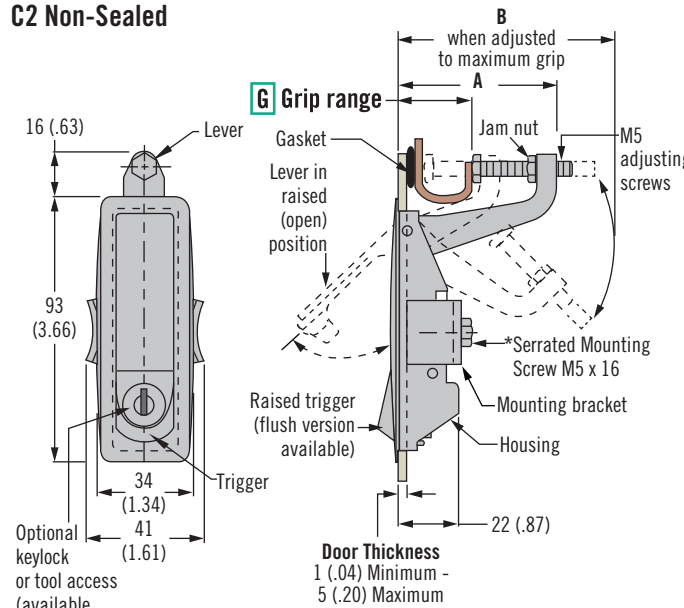
### Part Number Selection

See table

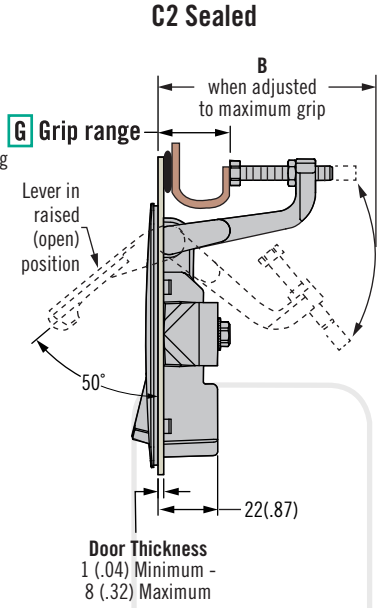
### Notes

For lock core selection and a complete overview of the *SOUTHCO*<sup>®</sup> Key-Choice System see [www.southco.com](http://www.southco.com)

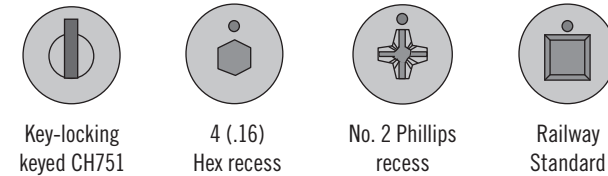
### C2 Non-Sealed



### C2 Sealed



### L Lock Styles

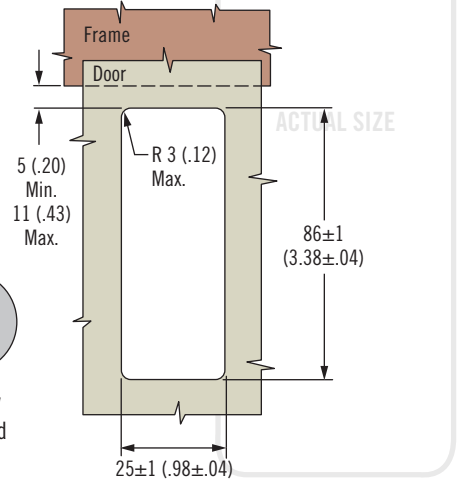


Key-locking keyed CH751

4 (.16) Hex recess

No. 2 Phillips recess

Railway Standard



### L Lock style

- 1 Non-locking raised trigger
- 2 Key-locking raised trigger keyed CH751 (two flat keys supplied)
- 3 Flush trigger non-locking
- 4 4 (.16) Hex recess raised trigger
- 10 No. 2 Phillips raised trigger
- 13 Locking without lock core (see [www.southco.com](http://www.southco.com) for lock core options)
- 14 Railway standard

### F Finish

- 1 Textured chrome
- 5 Black powder coated

### P Packaging option

- 3 Latches are sold layer packed. Omit for individually packaged latches.

C2 - S G - L F - P

### S Sealing Option

- 3 Non-sealed
- 4 Sealed

G Grip Range	A	B
2	1 - 24 (.04 - .95)	35 (1.38) 63 (2.48)
3	23 - 46 (.91 - 1.81)	57 (2.24) 84 (3.31)

Dimensions in millimeters (inch) unless otherwise stated

Global Corporate Headquarters and Americas Customer Service & Technical Support Center  
Concordville, PA – USA · Tel: (1) 610-459-4000 · Fax: (1) 610-459-4012

**southco**<sup>®</sup>  
CONNECT · CREATE · INNOVATE

Other options available. For complete details on variety, part numbers, installation and specification, go to

**INFO CLIC** [www.southco.com/C2](http://www.southco.com/C2)  
© Southco C2 NA 02-15

C2-1001-11	C2-33-111	C2-42-151	C2-43-41	C2-52-341	C2-53-3161-3	C2-A42-145
C2-1002-11	C2-33-111-3	C2-42-151-3	C2-43-41-3	C2-52-341-3	C2-53-3165	C2-A42-145-3
C2-25-301-82	C2-33-11-3	C2-42-15-3	C2-43-45	C2-52-345	C2-53-3165-3	C2-A42-15
C2-26-301-05	C2-33-115	C2-42-155	C2-43-45-3	C2-52-345-3	C2-53-341	C2-A42-161
C2-32-101	C2-33-131	C2-42-155-3	C2-440-82	C2-52-41	C2-53-341-3	C2-A42-165
C2-32-101-3	C2-33-131-3	C2-42-161	C2-52-101	C2-52-41-3	C2-53-345	C2-A42-21
C2-32-105	C2-33-135	C2-42-161-3	C2-52-101-3	C2-52-45	C2-53-345-3	C2-A42-25
C2-32-105-3	C2-33-135-3	C2-42-165	C2-52-105	C2-52-45-3	C2-53-41	C2-A42-31
C2-32-107	C2-33-141	C2-42-165-3	C2-52-105-3	C2-53-101	C2-53-41-3	C2-A42-35
C2-32-107-3	C2-33-145	C2-42-21	C2-52-11	C2-53-101-3	C2-53-45	C2-A42-45
C2-32-11	C2-33-15	C2-42-21-3	C2-52-11-3	C2-53-105	C2-53-45-3	C2-A43-105
C2-32-111	C2-33-15-3	C2-42-25	C2-52-131	C2-53-105-3	C2-61-11	C2-A43-11
C2-32-111-3	C2-33-17	C2-42-25-3	C2-52-131-3	C2-53-11	C2-61-15	C2-A43-135
C2-32-11-3	C2-33-17-3	C2-42-31	C2-52-135	C2-53-11-3	C2-62-11	C2-A43-145
C2-32-115	C2-33-21	C2-42-31-3	C2-52-135-3	C2-53-131	C2-62-15	C2-A43-15
C2-32-115-3	C2-33-21-3	C2-42-35	C2-52-141	C2-53-131-3	C2-63-11	C2-A43-161
C2-32-131	C2-33-24-3	C2-42-35-3	C2-52-141-3	C2-53-135	C2-63-15	C2-A43-165
C2-32-131-3	C2-33-25	C2-42-41	C2-52-145	C2-53-135-3	C2-64-11	C2-A43-21
C2-32-135	C2-33-25-3	C2-42-41-3	C2-52-145-3	C2-53-141	C2-71-21-01	C2-A43-25
C2-32-135-3	C2-33-27	C2-42-45	C2-52-15	C2-53-141-3	C2-71-21-05	C2-A43-31
C2-32-14	C2-33-31	C2-42-45-3	C2-52-151	C2-53-145	C2-71-21-07	C2-A43-35
C2-32-141	C2-33-31-3	C2-43-101	C2-52-151-3	C2-53-145-3	C2-71-25-01	C2-A43-35-3
C2-32-141-3	C2-33-34-3	C2-43-101-3	C2-52-15-3	C2-53-15	C2-71-25-02	C2-A43-45
C2-32-145	C2-33-35	C2-43-105	C2-52-155	C2-53-151	C2-71-25-03	
C2-32-145-3	C2-33-35-3	C2-43-105-3	C2-52-155-3	C2-53-151-3	C2-71-25-05	
C2-32-15	C2-33-37	C2-43-11	C2-52-161	C2-53-15-3	C2-72-21-01	
C2-32-15-3	C2-33-41	C2-43-11-3	C2-52-161-3	C2-53-155	C2-72-21-03	
C2-32-17	C2-33-44	C2-43-131	C2-52-165	C2-53-155-3	C2-72-21-05	
C2-32-17-3	C2-33-45	C2-43-131-3	C2-52-165-3	C2-53-161	C2-72-25-01	
C2-32-21	C2-33-45-3	C2-43-135	C2-52-21	C2-53-161-3	C2-72-25-05	
C2-32-21-3	C2-33-55	C2-43-135-3	C2-52-21-3	C2-53-165	C2-73-21-01	
C2-32-24	C2-33-55-3	C2-43-141	C2-52-221	C2-53-165-3	C2-73-25-01	
C2-32-24-3	C2-33-65	C2-43-141-3	C2-52-221-3	C2-53-21	C2-73-25-04	
C2-32-25	C2-33-85-3	C2-43-145	C2-52-225	C2-53-21-3	C2-74-25-01	
C2-32-25-3	C2-33-95	C2-43-145-3	C2-52-225-3	C2-53-221	C2-74-25-03	
C2-32-27	C2-33-95-3	C2-43-15	C2-52-25	C2-53-221-3	C2-901-21-01	
C2-32-27-3	C2-3-5	C2-43-151	C2-52-25-3	C2-53-225	C2-901-21-02	
C2-32-31	C2-350	C2-43-151-3	C2-52-3101	C2-53-225-3	C2-901-25-05	
C2-32-31-3	C2-42-101	C2-43-15-3	C2-52-3101-3	C2-53-25	C2-902-21-01	
C2-32-34-3	C2-42-101-3	C2-43-155	C2-52-3105	C2-53-25-3	C2-902-21-02	
C2-32-35	C2-42-105	C2-43-155-3	C2-52-3105-3	C2-53-3101	C2-902-25-01	
C2-32-35-3	C2-42-105-3	C2-43-161	C2-52-3141	C2-53-3101-3	C2-902-25-05	
C2-32-37	C2-42-11	C2-43-161-3	C2-52-3141-3	C2-53-3105	C2-903-21-01	
C2-32-37-3	C2-42-11-3	C2-43-165	C2-52-3145	C2-53-3105-3	C2-903-25-01	
C2-32-41	C2-42-131	C2-43-165-3	C2-52-3145-3	C2-53-3141	C2-903-25-05	
C2-32-41-3	C2-42-131-3	C2-43-21	C2-52-3151	C2-53-3141-3	C2-904-25-01	
C2-32-45	C2-42-135	C2-43-21-3	C2-52-3151-3	C2-53-3145	C2-A42-105	
C2-32-45-3	C2-42-135-3	C2-43-25	C2-52-3155	C2-53-3145-3	C2-A42-105-3	
C2-32-95	C2-42-141	C2-43-25-3	C2-52-3155-3	C2-53-3151	C2-A42-11	
C2-33-101	C2-42-141-3	C2-43-31	C2-52-3161	C2-53-3151-3	C2-A42-135	
C2-33-105	C2-42-145	C2-43-31-3	C2-52-3161-3	C2-53-3155	C2-A42-135-3	
C2-33-105-3	C2-42-145-3	C2-43-35	C2-52-3165	C2-53-3155-3	C2-A42-141	
C2-33-11	C2-42-15	C2-43-35-3	C2-52-3165-3	C2-53-3161	C2-A42-141-3	