



# EM Electronic Keeper

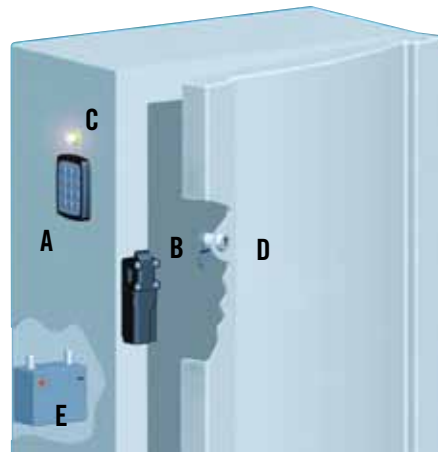
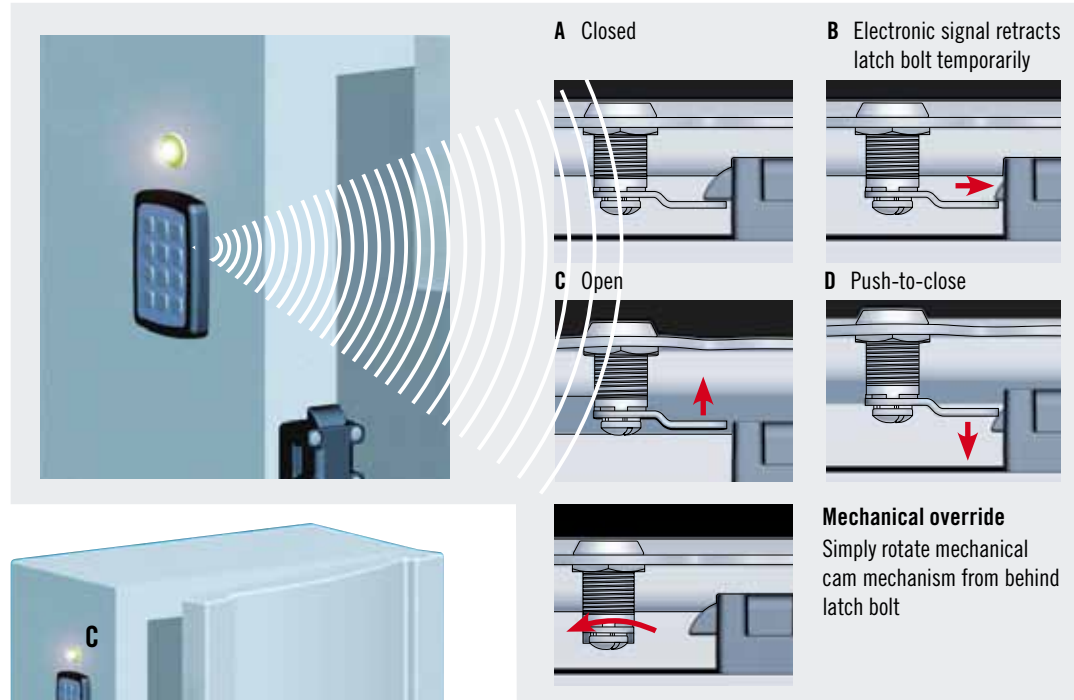
## Electronic strike

Upgrade any manual latching system to electronic access by replacing the fixed keeper component with the electronically controlled Electronic Keeper. The versatile Electronic Keeper fits a variety of applications with multiple mounting configurations and simple installation and operation.

- 12 and 24 Volt available
- Simple transition from mechanical to electronic access
- "Push-to-close" convenience for any application – retrofit or new installation
- Accepts signals from any electronic actuation source
- Frame-side mounting simplifies wiring
- Single or multi-point latching
- Permits remote monitoring, audit trails and alarming
- Works with a variety of door mounted mechanical latches

Every Electronic Keeper installation works on these same basic principles:

### Electronic Actuation



- Electronic access control device**
  - Electronic access controller generates standard 12-24 V output signal upon receipt of valid credentials
- Electronic Keeper electromechanical latch**
- Optional position feedback signal**
- Mechanical latch**
  - Key-locking latch can be unlocked to provide controlled access as a manual override
- Power supply**

### Installation Options



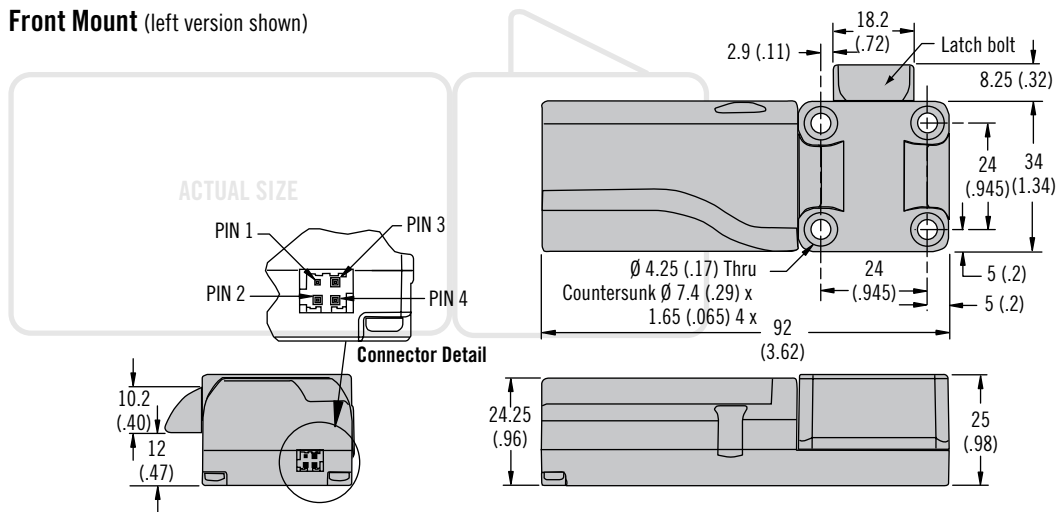
1 Center orientation

2 Left or right orientation

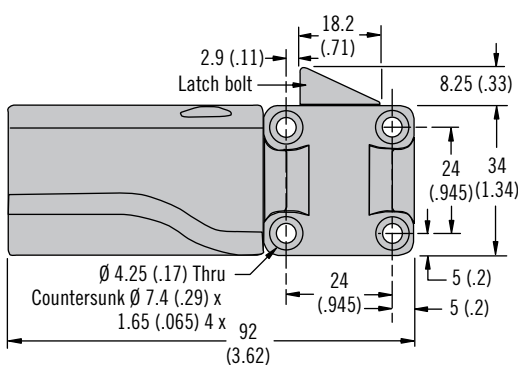
3 Side mount (left version shown)



**Front Mount** (left version shown)



**Side Mount** (left version shown)



**Wire harness and connector**



| Part Number  |              |
|--|--------------|
| <b>Wire Harness with Mate Connector</b> (order separately) | Length       |
| EM-10-40   | 300 (11.81)  |
| EM-10-41   | 1000 (39.37) |
| EM-10-42   | 2000 (78.74) |

| VDC            | PART NUMBERS                 | Front Mount Version |
|----------------|------------------------------|---------------------|
| 12VDC<br>24VDC | EM-10-13-310<br>EM-10-13-410 | Left                |
| 12VDC<br>24VDC | EM-10-11-310<br>EM-10-11-410 | Center              |
| 12VDC<br>24VDC | EM-10-12-310<br>EM-10-12-410 | Right               |

**Rotation Kit**

| Part Number                              |             |
|--|-------------|
| <b>Rotation Kit *</b> (order separately) | EM-10-32-85 |



| VDC            | PART NUMBERS                 | Side Mount Version |
|----------------|------------------------------|--------------------|
| 12VDC<br>24VDC | EM-10-23-310<br>EM-10-23-410 | Left               |
| 12VDC<br>24VDC | EM-10-21-310<br>EM-10-21-410 | Center             |
| 12VDC<br>24VDC | EM-10-32-310<br>EM-10-32-410 | Right              |

**Material & Finish**

Enclosure & latch bolt:  
Thermoplastic  
Housing assembly screws:  
Steel, zinc plated

**Electrical Specifications**

Recommended operating voltage:  
12-24 Volt DC  
Other voltages available,  
contact Southco for details.  
No load operating current:  
200 mA @ 12-24 V  
Peak stall / current: 1 A

**Control Input**

Retracted Position: 12-24 Volt DC  
The latch bolt will remain retracted  
for as long as the signal is present  
or a minimum of 1 second.  
Input Signal Current: 25 mA  
Extended Position: 0 VDC

**Output Signal**

Output Signal Rating:  
450 mA Max. load  
Output will turn on when latch bolt  
is in retracted position. Output slow  
flashes On/Off when latch error  
occurs.  
No signal at latch bolt extended  
position.

**Connector**

PIN 1: Control input signal  
PIN 2: Power (+)  
PIN 3: Output signal  
PIN 4: Ground (-)  
Mate connector not included, order  
separately.

The Electronic Keeper is provided  
with a specific latch bolt orientation  
(Left, Right or Center). Latch bolt  
direction can be re-oriented using  
the appropriate replacement gear  
from the \*optional rotation kit.

**Part Number**

See table