

A5 Flat Rod Systems

Rods, Guides, Adapters and Keepers

- Compatible with standard Southco latches, providing a variety of operating styles
- Flat rod finish complies with Telcordia® GR-487
- Mid Roller system allows latching outside of gasketed area

Material and Finish

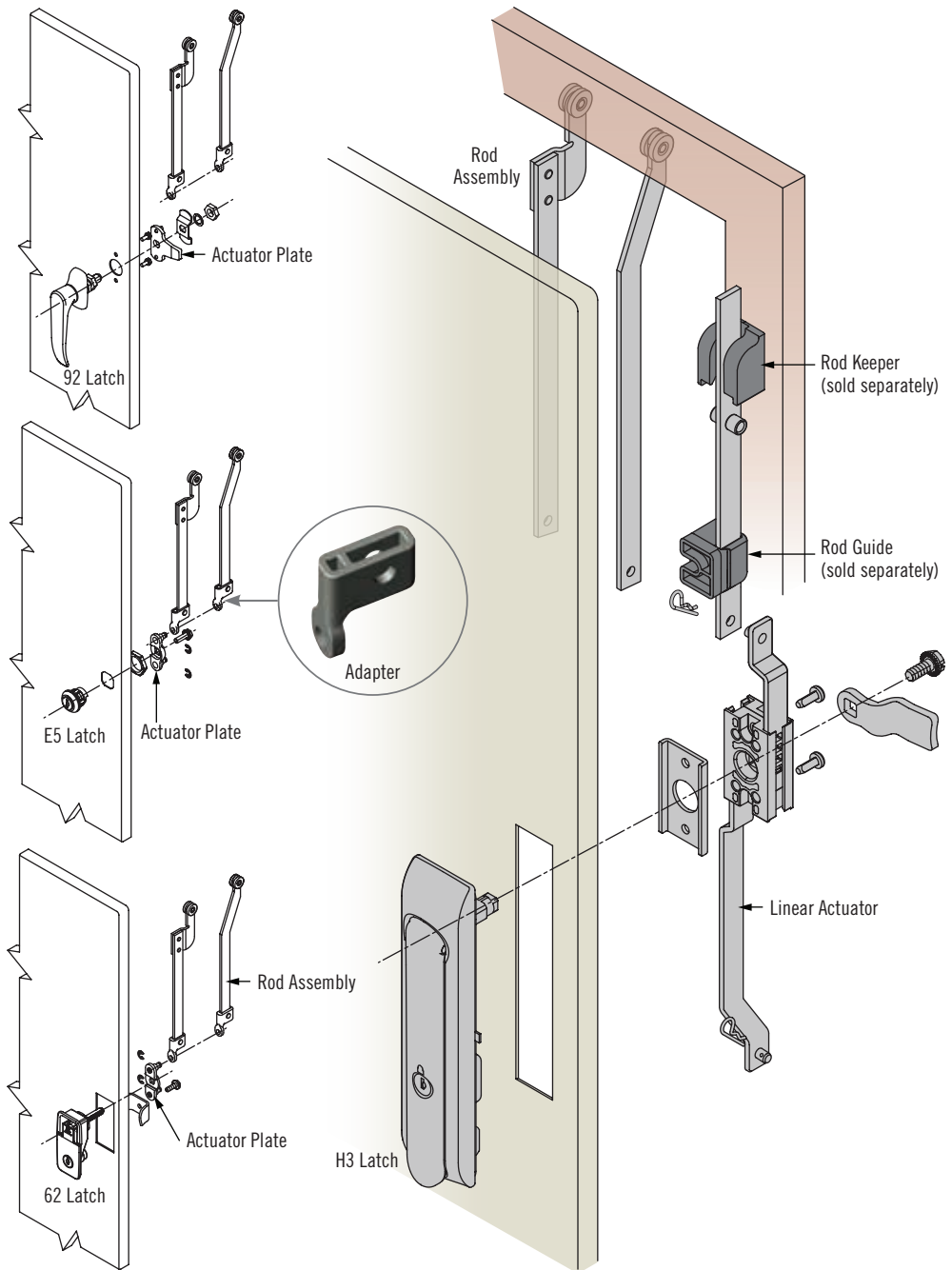
Rods: Steel zinc nickel plated
 Rod rollers: Stainless Steel or Glass-filled nylon, black
 Rod guides: Glass-filled nylon, black
 Flat rod keeper: Zinc alloy, black powder coated

To select correct assembly:

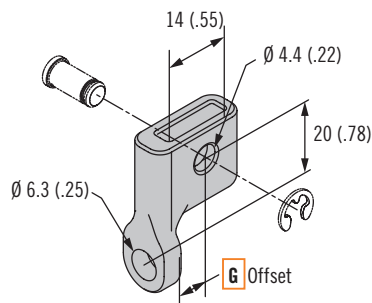
1. Determine rod style and length desired
2. Choose actuator plate or linear actuator to match latch family
3. Choose adapter to match latch family
4. Refer to www.southco.com for additional details on offset and lengths

Note

Important: Adapters are used with A5-F30 and A5-F50 Rods only.



Adapter



Latch Family	H3	92	E5	62
Adapter Type A	Adapter 1	Adapter 2	Adapter 3	Adapter 4
Offset G	3.25 (.13)	7.8 (.31)	17.25 (.68)	-7.55 (-.30)

Other options available. For complete details on variety, part numbers, installation and specification, go to



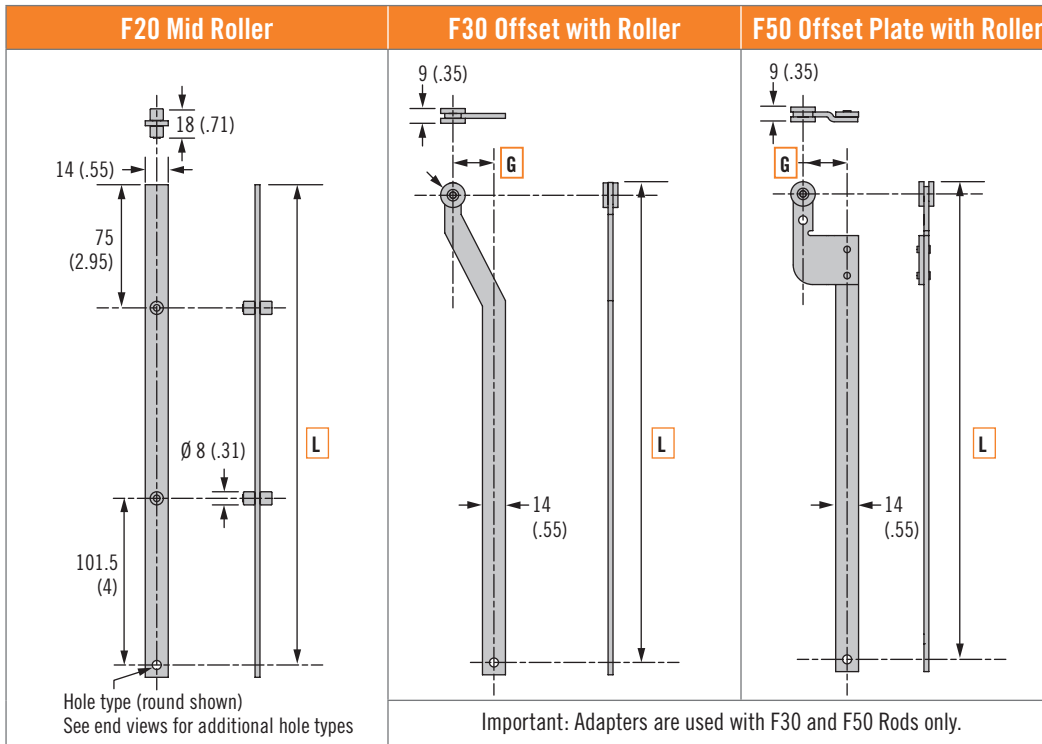
www.southco.com/A5

Dimensions in millimeters (inch) unless otherwise stated

southco
 CONNECT · CREATE · INNOVATE

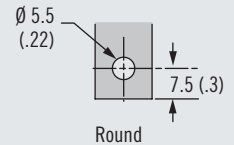
A5 Flat Rod Systems

Rods, Guides and Keepers



- Modular actuators to suit multiple latch families using A5 flat rods

Standard Hole Detail



Others available upon request



Square



Lantern

Rod Assembly Part Number

R Rod Style

- 2 Mid roller (offset **G** must be 00)
- 3 Offset with roller end
- 5 Offset Plate with roller end

A5 - F R A - L A - G - 77

L Length (mm)
0200 - 1200

A Adapter Type

- 0 None (H3 with linear actuator)
- 1 Adapter - 3.25mm (0.13) (H3 Latches)
- 2 Adapter - 7.8 (0.31) Offset (92 Latches)
- 3 Adapter - 17.25 (0.68) Offset (E5 Latches)
- 4 Adapter - -7.55 (-0.30) Offset (Medium 62 Latches)

G Offset Distance (mm)
20, 25 - (For Rod Style 3)
13, 16, 21, 27 - (For Rod Style 5)

Flat Rod Actuator Plate Part Number

Operating Latch Families	E5-5	E5-6	E5-9	H3-50	H3-60	62 Series M8 threaded shaft	92 Series M10 threaded shaft
Actuator Plate Part Number	A5-90-102-11					A5-90-303-11	A5-90-401-11 A5-90-501-11
Adapter Type A	A = 3		A = 1		A = 4		A = 2

Adapters are used with round hole type rods only.

Dimensions in millimeters (inch) unless otherwise stated

Mid Roller

Rod Guide A5-F90-71



Rod Keeper A5-F80-69



Other options available. For complete details on variety, part numbers, installation and specification, go to



www.southco.com/A5

© Southco A5 NA 04-13