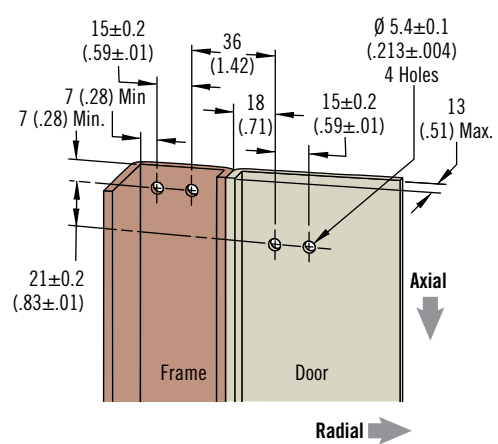
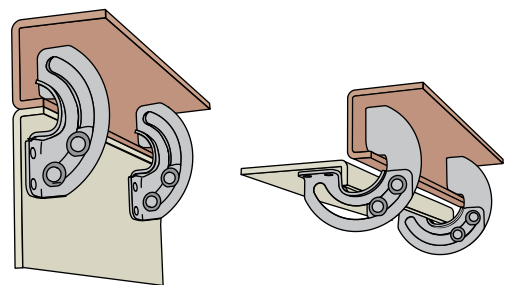
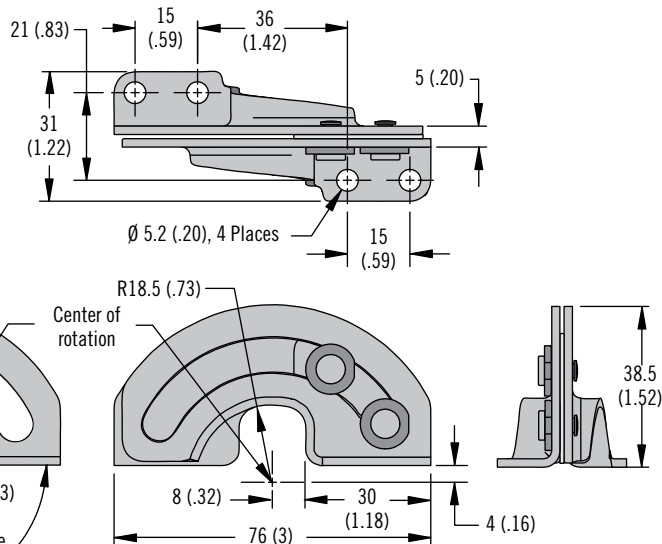


R6 Hinge

Concealed · 90° Opening



• Invisible when door is closed

Material and Finish

Steel, zinc plated, or stainless steel

Performance Details

Zinc Plated Steel

Radial load:
 Max. static load: 625 N (140 lbf)
 Average ultimate load: 2235 N (502 lbf)

Axial load:
 Max. static load: 205 N (46 lbf)
 Average ultimate load: 420 N (94 lbf)

Stainless Steel

Radial load:
 Max. static load: 525 N (118 lbf)
 Average ultimate load: 3035 N (682 lbf)

Axial load:
 Max. static load: 185 N (42 lbf)
 Average ultimate load: 475 N (107 lbf)

Max. holding torque:
 18.2 N·m (161 in·lbf)

Operating temperature range:
 -40° C (-40° F) to 85° C (185° F)

Installation Notes

Panel thickness exceeding 4 (.16) will require a 45° chamfer on both door and frame.

Screws not supplied.

Install using M5 (No. 10)

Part Number

See table

Part Number	
Steel	R6-21-11
Stainless steel	R6-21-23





R6 Hinge

Concealed · 180° Opening

- Invisible when door is closed
- Door-stay for horizontal door & lid applications
- Corrosion-resistant materials available

Material and Finish

Steel, zinc plated, or stainless steel

Performance Details

Zinc Plated Steel

Radial load:

Max. static load: 485 N (109 lbf)

Average ultimate load:

710 N (160 lbf)

Axial load:

Max. static load: 100 N (23 lbf)

Average ultimate load:

295 N (66 lbf)

Max. holding torque:

11.8 N·m (104 in·lbf)

Stainless Steel

Radial load:

Max. static load: 505 N (114 lbf)

Average ultimate load:

1085 N (244 lbf)

Axial load:

Max. static load: 165 N (37 lbf)

Average ultimate load:

345 N (78 lbf)

Operating temperature range:

-40° C (-40° F) to 85° C (185° F)

Installation Notes

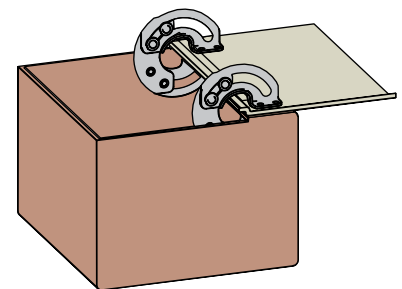
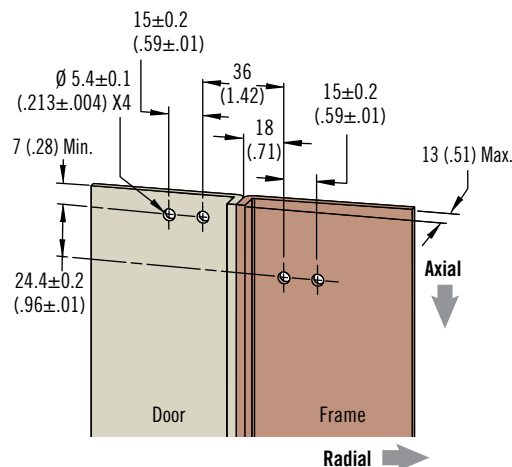
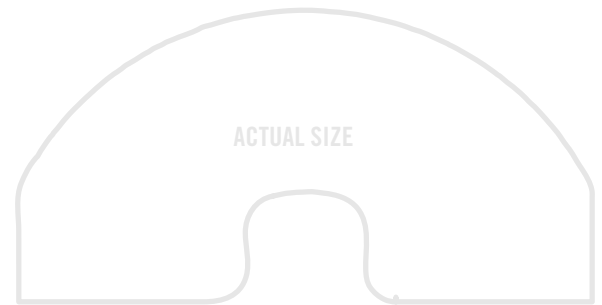
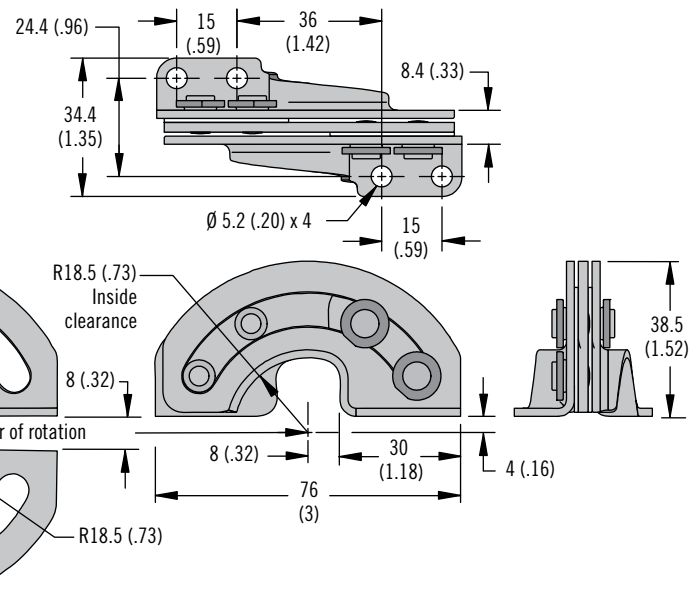
Screws not supplied.

Install using M5 (No. 10) screws or by welding.

Maximum panel thickness is 4 (.16)

Part Number

See table



Part Number	
Steel	R6-20-11
Stainless steel	R6-20-23

Dimensions in millimeters (inch) unless otherwise stated

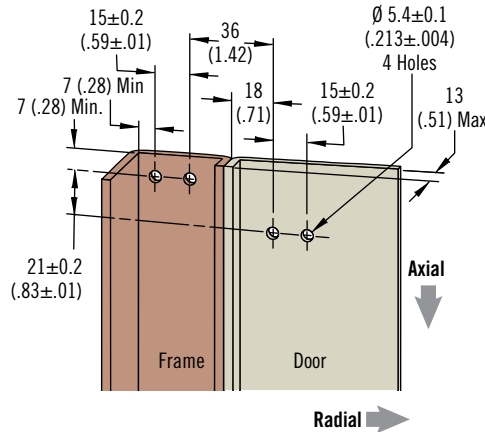
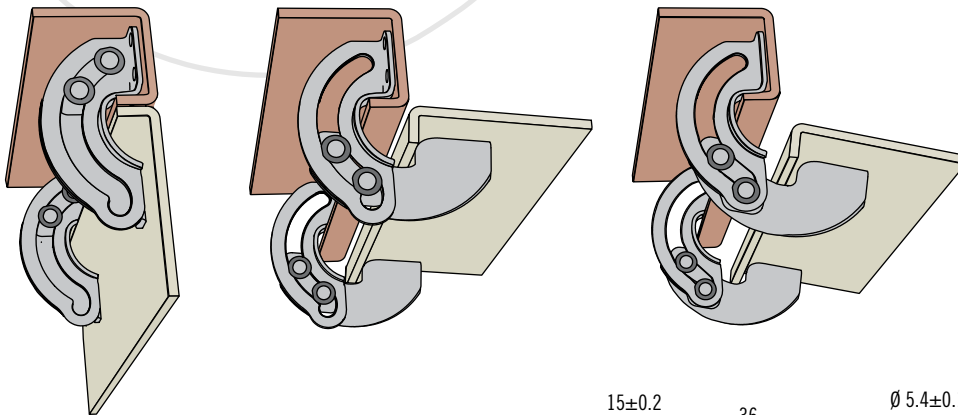
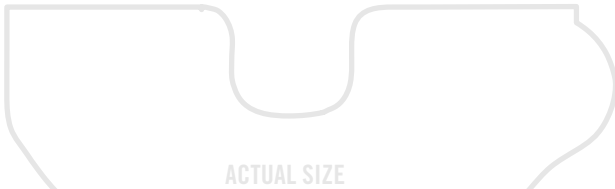
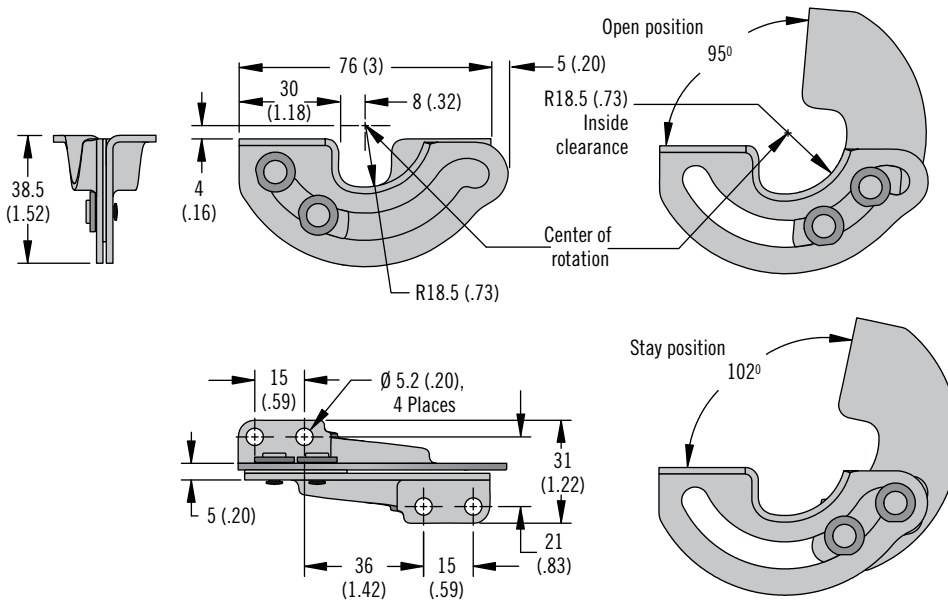


www.southco.com/R6

southco
CONNECT · CREATE · INNOVATE

R6 Hinge

Concealed · Hold-open style



Part Number	
Steel	R6-22-11
Stainless steel	R6-22-23

- Invisible when door is closed
- Holds doors open without secondary mechanical support



Material and Finish

Steel, zinc plated, or stainless steel

Performance Details

* (loads applied with hinge in stay position)

Zinc Plated Steel

Radial load:

Max. static load: 155 N (35 lbf)

Average ultimate load: 405 N (91 lbf)

Axial load:

Max. static load: 200 N (45 lbf)

Average ultimate load: 415 N (93 lbf)

Max. holding torque:
11.8 N·m (104 in·lbf)

Operating temperature range:
-40°C (-40°F) to 85°C (185°F)

Stainless Steel

Radial load:

Max. static load: 280 N (63 lbf)

Average ultimate load:
570 N (128 lbf)*

Axial load:

Max. static load: 305 N (69 lbf)

Average ultimate load:
430 N (97 lbf)

Max. holding torque:
18.2 N·m (161 in·lbf)*

Operating temperature range:
-40°C (-40°F) to 85°C (185°F)

Installation Notes

Panel thickness exceeding 4 (.16) will require a 45° chamfer on both door and frame.

Part Number

See table