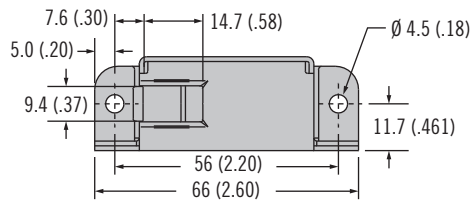
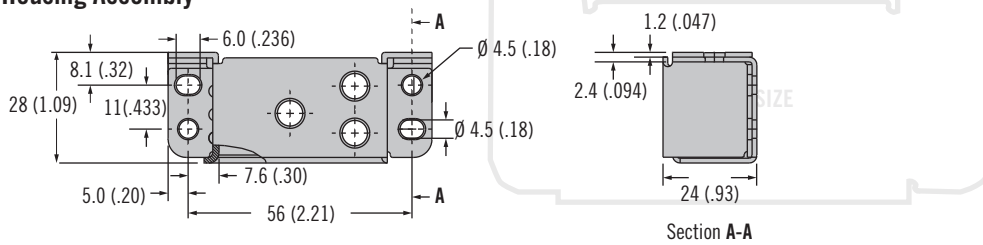


A4 Push-to-Close Latch

Push-to-open · Large

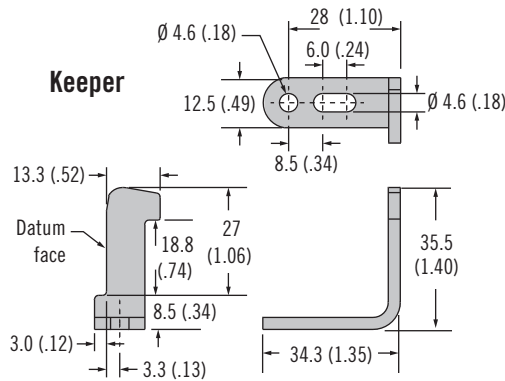


Housing Assembly



Section A-A

Keeper



Description	Part Number
Latch	A4-30-201-12
Keeper	A4-36-201-12

- Heavy-duty construction
- Push-to-close, push-to-open

Material and Finish

Steel, zinc plated

Other options available. For complete details on variety, part numbers, installation and specification, go to



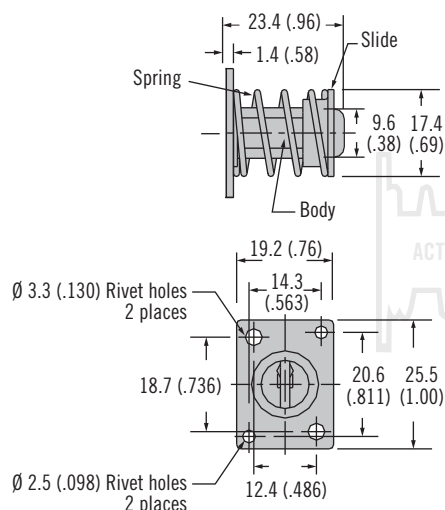
www.southco.com/A4

A4 Push-to-Close Latch

Push-to-open · Small

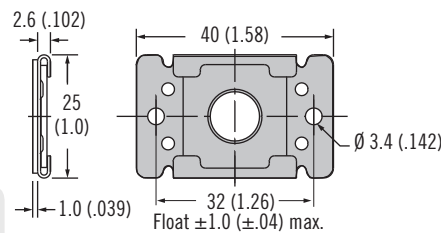


Pin Latch



Optional Floating Receptacle

Notes: Floating part of receptacle faces pin latch



Part Number	
Pin latch	A4-20-501-10
Optional floating receptacle	A4-26-502-10

- Accommodates misalignment
- Push-to-close, push-to-open

Material and Finish

Steel, zinc plated and thermoplastic, black

Other options available. For complete details on variety, part numbers, installation and specification, go to



www.southco.com/A4

Southco® A4 Push-to-Close Latch Concealed, Pinlatch

southco®



Part Number A4-20-501-10

The Concealed Pinlatch is opened and closed with a gentle push of its panel. If the panel is to be located flush with the support in the closed position, clearance must be provided behind the latch so it can be pushed inward enough to release the latch.

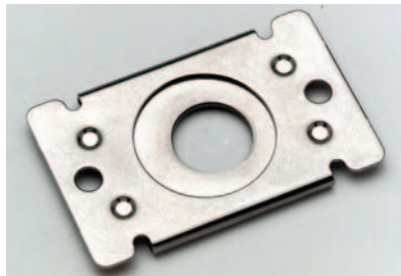
Material and Finish

Body: Die cast zinc with natural finish
Spring & Locking Cam: Stainless steel
Slide: Black thermoplastic

Mechanical

Support Thickness Range: .047" to .118"
Latch Float: .008"
Latch Ejection When Released: .177"
Latch Swing Arc Radius (Hinge to Latch Centers): 6.0" minimum.

Floating Receptacle (optional)



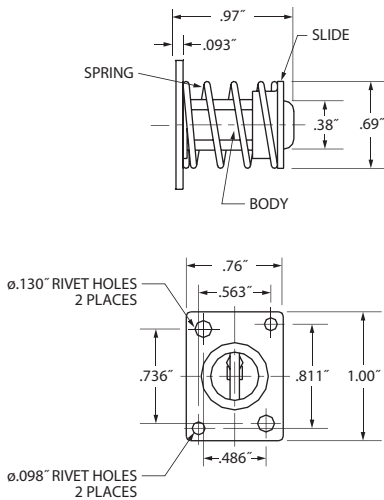
Part Number A4-26-502-10

Material and Finish

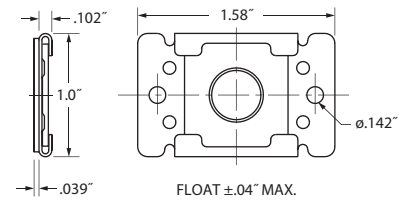
Receptacle Housing & Plate: Stainless steel

All dimensions on this page are in inches.

Pinlatch



Floating Receptacle

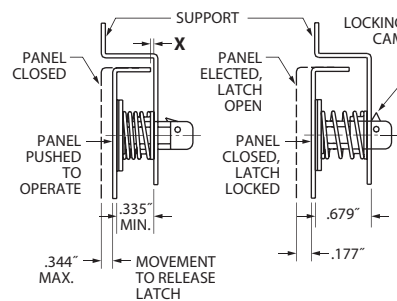
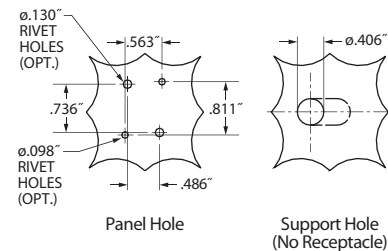


Note: Floating part of receptacle faces Pinlatch.

Panel Preparation and Installation

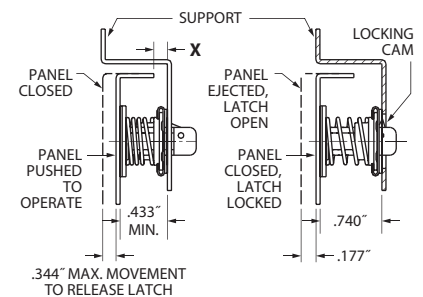
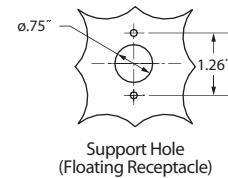
Without Floating Receptacle

(latch engages with frame support)



With Floating Receptacle

1. Floating Receptacle installation requires a .740" gap between panel back and top of support. Pressing panel for operation closes gap to .433".



Southco® A4 Push-to-Close Latch Concealed, Heavy Duty, Pinlatch

southco®

Push-to-Close Latches



Description	Part Number
Latch	A4-30-201-12
Keeper	A4-36-201-12

The Heavy Duty Pinlatch is a sturdy all steel latch, having a simple press-to-lock, press-again-to-open operation, which may be installed so that it is totally concealed. It may be easily fitted, using either its side or rear mounting flanges with two screws or rivets. A pressed steel keeper is provided for the mating part. Housing and keeper ordered separately.

Material and Finish

Material: Steel

Finish: Mechanical zinc with clear chromate

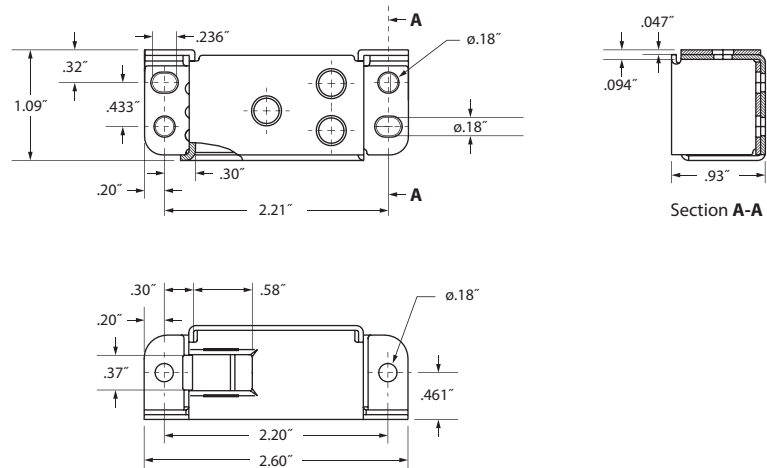
Mechanical

Maximum Load without Distortion:

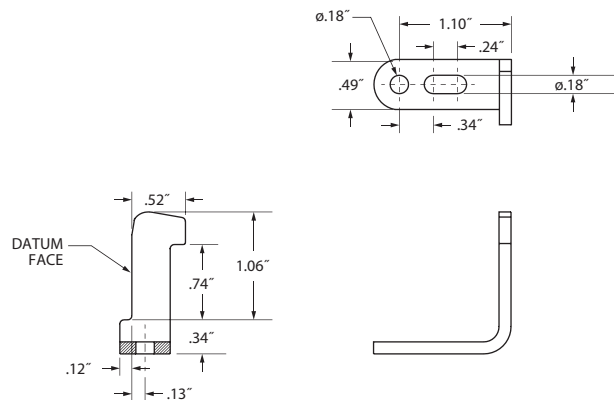
135 lbs.

Ultimate Load: 200 lbs.

Housing Assembly

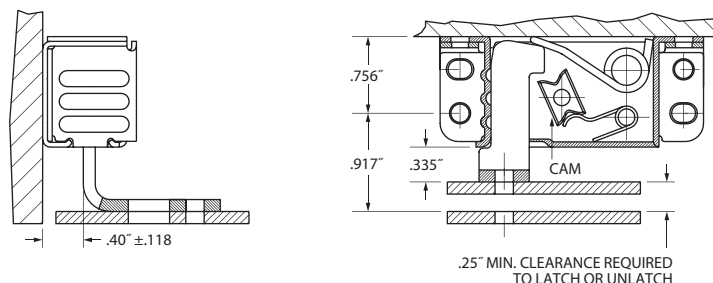


Keeper



Installation

1. The assembly may be installed by its side or rear flanges using No. 8 screws, peel type rivets or M4 bolts.
2. Approximately .25 inches of movement is required to latch or unlatch the assembly.
3. The latch must be installed so that the datum face of the keeper aligns with the inner face of the ribbed housing wall.
4. In the unlikely event that the keeper cannot enter the latch because the cam has rotated out of phase, turn the cam to the "ready" position as shown.



All dimensions on this page are in inches.