



B8 Grab Handle

Large · Surface mount

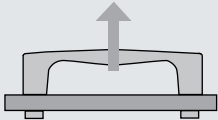
- Front or rear concealed installation
- Ergonomic, comfortable grip
- High strength, light-weight solution

Material and Finish

Handle: ABS plastic, black
Screws: Steel, zinc plated

Performance Details

Max. static load: 775 N (175 lbf)



Flammability rating: UL94-HB

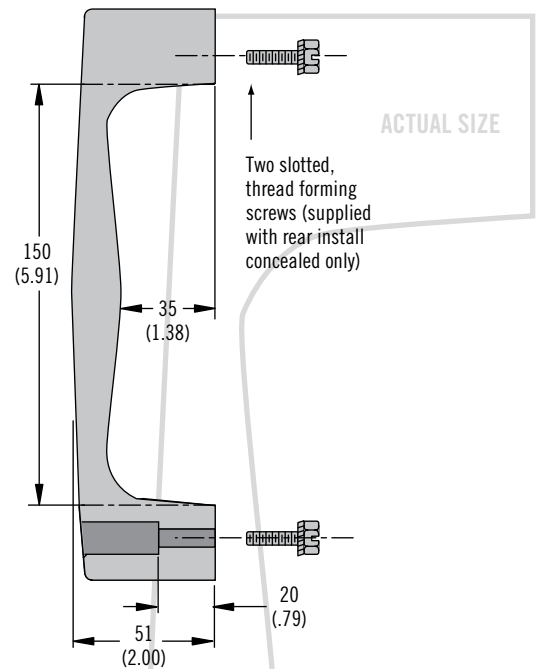
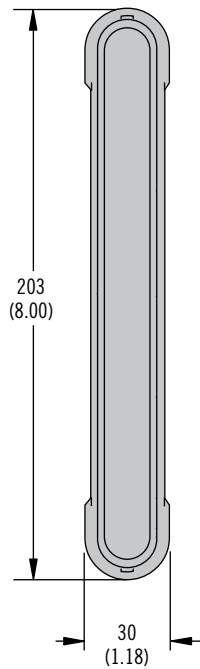
Operating temperature range:
-40°C (-40°F) to 60°C (140°F)

Installation Notes

Max. tightening torque of screws:
Rear install concealed only
4.0 N·m (35 in·lbf)

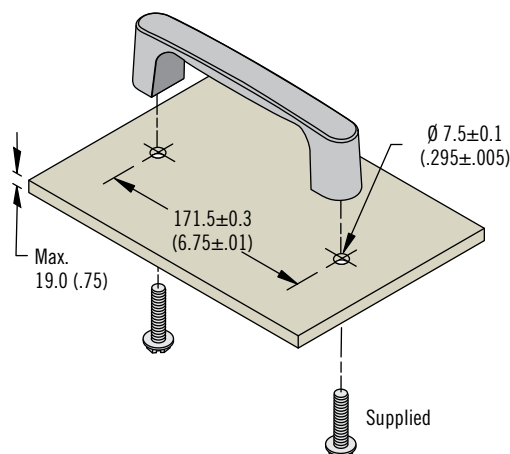
Notes

Bulk packaged

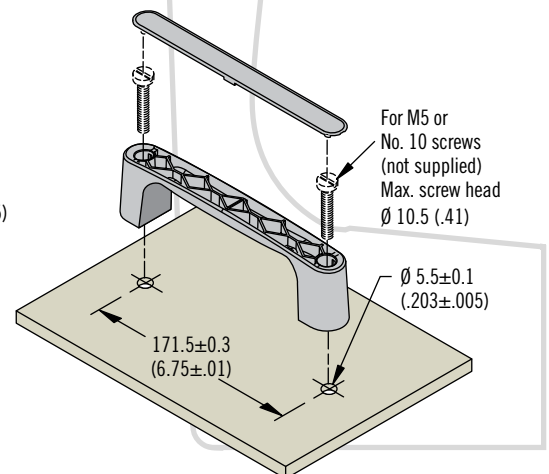


Part Number	
Rear Install Concealed	Front Install Concealed
B8-66-3	B8-63-3

Rear Install Concealed

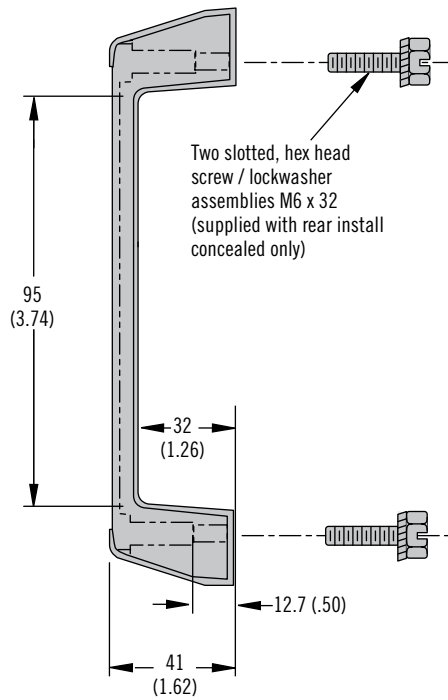
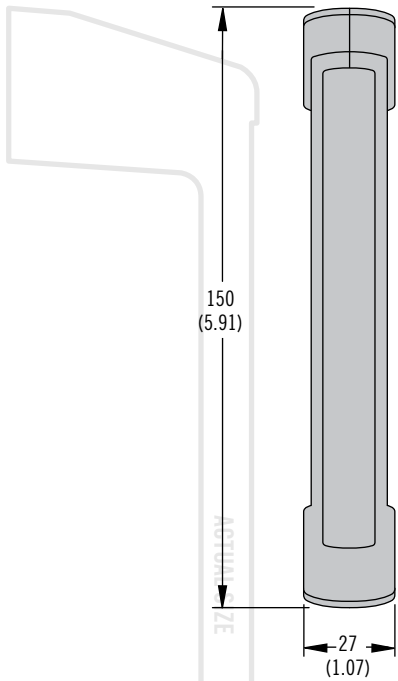


Front Install Concealed



B8 Grab Handle

Small · Surface mount



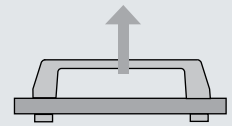
- Front or rear concealed installation
- Light-weight

Material and Finish

Handle: ABS plastic, black
Screws: Steel, zinc plated

Performance Details

Max. static load: 550 N (125 lbf)



Flammability rating: UL94-HB

Operating temperature range:
-50°C (-60°F) to 60°C (140°F)

Installation Notes

Rear install concealed:
M6 x 32 screw assembly supplied.
Max. tightening torque of screws:
4.0 N·m (35 in·lbf).

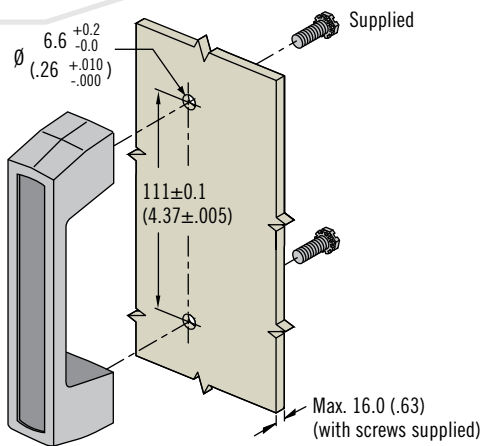
For door thickness greater than
16 (.63) calculate screw length
using the following formula:
Door thickness + 16 (.63)

Notes

Bulk packaged

Part Number	
Rear Install Concealed	Front Install Concealed
B8-45-3	B8-43-3

Rear Install Concealed



Front Install Concealed

