

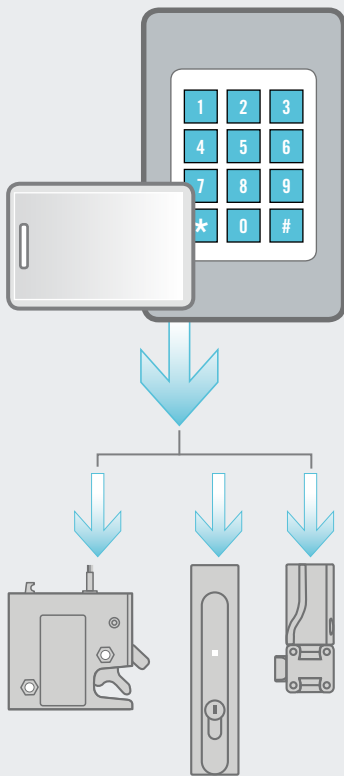


EA-P1 Series PIN/Prox Access Controller

Electronic access

- **Simple card/PIN programming**
- **LED indicator and audible feedback for programming and lock status**
- **Up to 9,999 cards per controller**
- **Non-volatile memory retains data after power is removed**
- **Programmable door release time and alarm time**
- **For use with EA-C1 series prox cards**
- **Custom color and logo options**

Southco's self-contained PIN/Prox controllers provide basic PIN/Prox access control with the flexibility to use PIN only, Prox only, or both PIN and Prox for added convenience and security. Simply supply 12 volt DC power and connect the output to any *SOUTHCO*[®] electromechanical latch for a complete electronic access solution. Enter a valid PIN or present a programmed prox card to the controller to produce an actuation signal.



Additional Features

Lockout output provides alarm output after multiple failed access attempts, programmable from 1-99 attempts.

Tamper switch provides output if controller is removed from mounted surface.

Auxiliary input allows for additional remote input signal to open lock for programmed time.

Other options available. For complete details on variety, part numbers, installation and specification, go to

INFO CLIC www.southco.com/EA-P1

Dimensions in millimeters (inch) unless otherwise stated

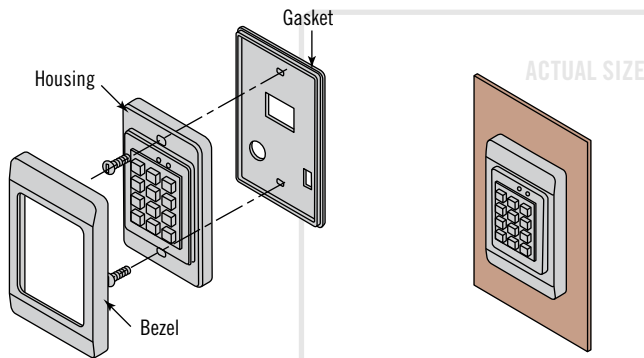
southco[®]
CONNECT · CREATE · INNOVATE

EA-P1 Series PIN/Prox Access Controller

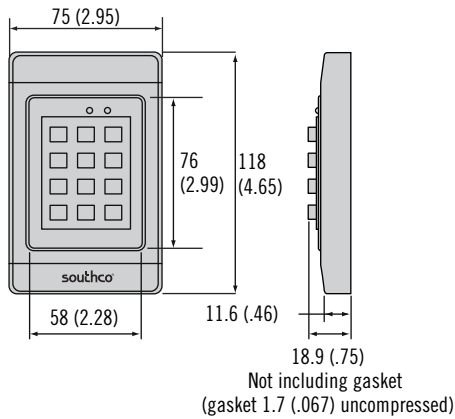
Electronic access



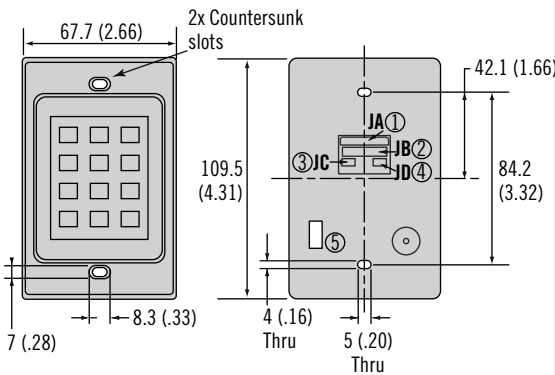
Mounting



Bezel Attached

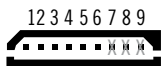


Without Bezel



Connector Details

(Note: Mating connectors with approximately 160mm (6.3) of wiring, stripped and tinned provided with controller).



- JA (Blue)**
Door access
- 1 (Red) ← +12 VDC
 - 2 (Black) ← Ground
 - 3 (Brown) → NO
 - 4 (Orange) ← COM } Relay Output A (Max. 2A / 30 VDC)
 - 5 (Yellow) → NC
 - 6 (Green) ← Auxiliary input
 - 7 (Blue) ← X
 - 8 (Purple) ← X
 - 9 (Grey) ← X



- JC (Blue)**
Tamper switch output
- J (Blue) → NC
 - K (Green) → NO
 - L (Yellow) ← COM



- JD (White)**
External Wiegand Reader
- 1 (Red) → +12VDC
 - 2 (Yellow) ← Data1
 - 3 (Green) ← Data0
 - 4 (Black) → Ground



- JB (White)**
Lockout alarm output
- E (Green) → Lockout alarm output (NO) } Relay Output B (Max. 2A / 30 VDC)
 - F (Blue) ← Lockout alarm output (COM)

Material & Finish

Polycarbonate and ABS Plastic

Electrical Specifications

PIN Code Length:

Programmable 1 to 8 digits

Monitoring Inputs: Auxiliary, case tampering

Typical Maximum Read Range:
10cm (depending on installation)

Frequency of Operation: 125kHz (EM), others available upon request

Modes of Operation:

- * Card-only
- * PIN or card
- * PIN and card
- * Bypass

Power: 12 VDC 80mA in standby, 105mA working current (typical)

Operating Temperature: 0-50 °C

Operating Humidity: 20-90% RH, no condensation

Connectors:

Connector with approximately 160mm (6.3) of wiring, stripped and tinned provided with controller

- 1 JA Door access connector (blue 9-pin)
- 2 JB Lockout alarm connector (white 8-pin)
- 3 JC Tamper switch output connector (blue 3-pin)
- 4 JD Wiegand reader connector (white 4-pin)
- 5 Tamper switch

Part Number Selection

- C** Color
- 1 - White
 - 2 - Cool Gray
 - 0 - Black

- L** Omit - No Logo
9 - Southco Logo

EA - P1 - 01 **C** - **L**

Proximity card: EA - C1 - 011 (contact Southco for custom color and logo options)

Dimensions in millimeters (inch) unless otherwise stated



Global Corporate Headquarters and Americas Customer Service & Technical Support Center
Tel: (1) 610-459-4000 · Fax: (1) 610-459-4012 · www.southco.com · info@southco.com



Other options available. For complete details on variety, part numbers, installation and specification, go to

www.southco.com/EA-P1

© Southco EA-P1 NA 09-09

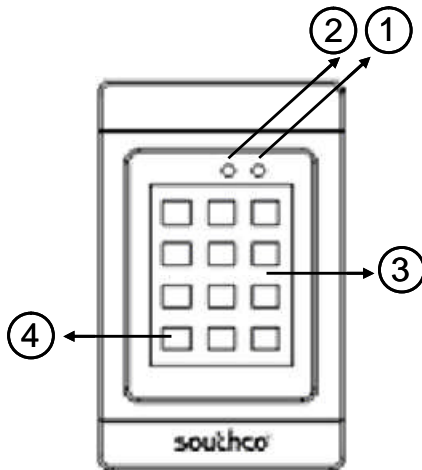
EA-P1 Proximity Controller

Operating Instructions

Package Contents

- Stand alone PIN + Prox Controller
- Operating instructions
- Wire harness for JA door access connector (9-wires with blue connector)
- Wire harness for JB lockout alarm connector (8-wires with white connector)
- Wire harness for JC tamper switch connector (3-wires with blue connector)
- Wire harness for JD external Wiegand reader connector (4-wires with white connector)
- Diode (IN4007GW)
- 2 mounting screws

EA-P1-01x Standalone Proximity Controller



1. Power ON LED
2. Bicolor (red/green) Status LED
3. PIN + Prox Controller
4. Return to Ready State

Features

- Supports up to 9,999 user cards and five PIN codes
- Multiple modes of operation: card-only, card or PIN, card and PIN, bypass mode
- Programmable door release time (1 to 98 seconds)
- Programmable failed attempts (1 to 99)
- Programmable lockout time (1 to 98 seconds)
- Programmable user and supervisor code length (4 to 8 digits)
- LED indicators: Power and Status
- Supports connection to an external 26-bit Wiegand reader
- Non-volatile memory will retain data when power is removed
- Tamper switch
- For indoor use only

Controller Mounting and Installation

Please refer to Southco trade drawing J-EA-P1-01 for mounting and installation details.

Specifications

User Cards Supported:	9,999
Supervisor Cards Supported:	9
PIN Codes Supported:	5
Power:	12VDC ± 10%
	90mA maximum (standby mode), no attached devices
	110mA maximum (operating mode), no attached devices
Transmit Frequency:	125kHz ASK (EM)
Card Reading Range:	up to 10 cm (depending on installation)
Default Access Time:	4 seconds
Operating Temperature:	0-50 °C
Operating Humidity:	20-90% RH, No condensation
Dimensions:	118 mm x 75 mm x 19 mm

Default Settings

The table below describes the default settings of the EA-P1-01x controller.

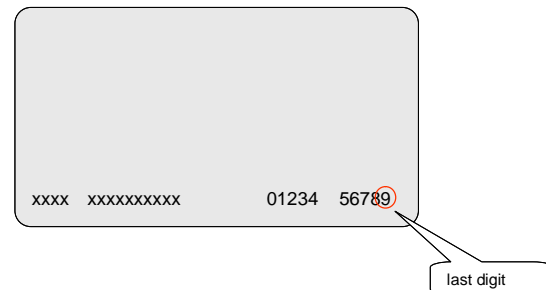
Description	Default Value
Access Time	4 seconds
PIN Code Length	4 digits
Number of Failed Attempts	3
Lockout Alarm Time	60 seconds
Mode of Operation	card only

Enrolling Supervisor Card

To enroll the supervisor card:

1. Apply power to the unit.
2. Switch the two DIP switches on the rear of the unit to "ON".
3. Hold the supervisor card to the unit. The status LED will flash red/green if the card has been successfully enrolled.
4. Switch the two DIP switches on the rear of the unit to their original positions ("1" and "2").

To enroll additional supervisor cards, repeat Steps 1-3 above. Note that the last digit in the bottom right corner of the prox card must be different for each supervisor card (see below).

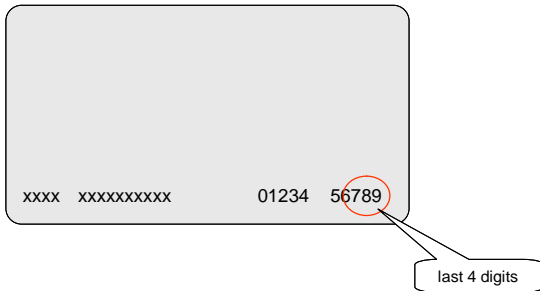


NOTE: Once a supervisor card has been enrolled, it cannot be deleted.

Enrolling User Cards

User cards can be enrolled individually or in blocks. To enroll an individual user card:

1. Hold the supervisor card to the unit.
2. Enter 6-6-6-6 on the keypad.
3. Enter the last four digits on the bottom right corner of the prox card to be enrolled (example below).



4. To enroll another card, repeat Step #3 while the status LED is still green.
5. The unit will return to user mode when the status LED turns off or if the "*" (return-to-ready state) key is pressed.

To enroll a block of cards:

1. Hold the supervisor card to the unit.
2. Enter 6-6-0-0 on the keypad.
3. Enter the last four digits of the lowest card in the block to be enrolled.
4. Enter the last four digits of the highest card in the block to be enrolled.
5. The unit will return to user mode when the status LED turns off or if the "*" (return-to-ready state) key is pressed.

For example, entering 6-6-0-0 8-3-0-0 8-3-0-5 will enroll cards whose last four digits range from 8300 to 8305.

Deleting User Cards

User cards can be deleted individually or in blocks. To delete an individual user card:

1. Hold the supervisor card to the unit.
2. Enter 7-7-7-7 on the keypad.
3. Enter the last four digits on the bottom right corner of the prox card to be deleted.
4. To delete another card, repeat Step #3 while the status LED is still green.
5. The unit will return to user mode when the status LED turns off or if the "*" (return-to-ready state) key is pressed.

To delete a block of cards:

1. Hold the supervisor card to the unit.
2. Enter 7-7-0-0 on the keypad.
3. Enter the last four digits of the lowest numbered card in the block to be deleted.
4. Enter the last four digits of the highest numbered card in the block to be deleted.
5. The unit will return to user mode when the status LED turns off or if the "*" (return-to-ready state) key is pressed.

For example, entering 7-7-0-0 8-3-0-0 8-3-0-5 will delete cards whose last four digits range from 8300 to 8305.

Enrolling and Changing PIN Numbers

Five PIN numbers can be enrolled. The default PIN number length is four digits. To enroll a PIN number:

1. Hold the supervisor card to the unit.
2. Enter 4-6-0-*n* on the keypad, where *n* is the slot number (range 1-5).
3. Enter the desired four digit PIN number.

Deleting PIN Numbers

PIN numbers may be deleted either individually or all at once. To delete an individual PIN number:

1. Hold the supervisor card to the unit.
2. Enter 4-7-0-*n* on the keypad, where *n* is the slot number (range 1-5).

To delete all PIN numbers:

1. Hold the supervisor card to the unit.
2. Enter 4-7-0-0 on the keypad.

Changing PIN Number Length

The default PIN number length is four digits. It can be programmed to be four to eight digits. To change the PIN number length:

1. Hold the supervisor card to the unit.
2. Enter 4-8-0-*d*, where *d* is the number of digits in the PIN number (range 1-8).

⚠ NOTE: Changing the PIN code length will not delete programmed PIN numbers. Changing the PIN code length to be longer than PIN numbers stored in memory will result in the PINs being unusable. For example, if a four digit PIN is stored in memory, and the PIN number length is then changed to eight, then the PIN cannot be used.

However, if the PIN length is changed to be shorter than programmed

PIN numbers already enrolled, then only the first **d** digits need to be entered to be granted access, where **d** is the newly programmed PIN code length. For example, if a four digit PIN has been programmed and the PIN code length is later changed to three digits, only the first three digits of the PIN need to be entered.

Setting the Mode of Operation

The unit can be set to one of four operating modes:

- **Card-Only:** Access granted when a valid card is held to the unit. This is the default mode.
- **Card and PIN:** Access granted when a valid card is held to the unit and then an enrolled PIN is entered.
- **Card or PIN:** Access granted when either a valid card is held to the unit or an enrolled PIN is entered.
- **Bypass:** Access granted until bypass mode exit command is issued.

To set the unit to operate in these modes:

Card-Only

1. Hold the supervisor card to the unit.
2. Enter 3-2-0-0 on the keypad.

Card and PIN

1. Hold the supervisor card to the unit.
2. Enter 3-3-0-0 on the keypad.

Card or PIN

1. Hold the supervisor card to the unit.
2. Enter 3-4-0-0 on the keypad.

Bypass Mode

1. Hold the supervisor card to the unit.
2. Enter 3-8-0-1 on the keypad to enter bypass mode (Enter 3-8-0-0 to exit bypass mode)

NOTE: In all modes, access will be granted if the supervisor card is held to the unit and 3-6-0-1 is entered on the keypad.

Changing Door Access Time

The default door access time is four seconds. To change the access time:

1. Hold the supervisor card to the unit.
2. Enter 2-1-**tt** on the keypad, where **tt** is the desired door access time in seconds (range 01-98).

NOTE: If 2199 is entered, the unit will allow access until a valid card/PIN is entered.

Changing Lockout Alarm Time

The default door access time is sixty seconds. To change the access time:

1. Hold the supervisor card to the unit.
2. Enter 2-2-**tt** on the keypad, where **tt** is the desired lockout alarm time in seconds (range 01-98).

NOTE: If 2299 is entered, the unit will continue to assert the lockout alarm until a valid card/PIN is entered.

Changing Number of Failed Attempts

The default number of failed attempts is three. To change the number of failed attempts:

1. Hold the supervisor card to the unit.
2. Enter 2-4-**nn** on the keypad, where **nn** is the desired number of failed attempts (range 01-99)

Unless a valid user card is presented to the controller, the controller will assert the lockout alarm on the next failed attempt.

Resetting the Unit

Resetting the unit will restore the factory settings. It will not delete PIN numbers or enrolled user and supervisor cards. To reset the unit:

1. Hold the supervisor card to the unit.
2. Enter 0-8-0-0 on the keypad.

Auxiliary Input

The EA-P1-01x controller has an auxiliary input that can be connected to a momentary push-button. Pin 6 from the JA connector (green wire) is the auxiliary input. When the auxiliary input is 12VDC, the controller will grant access while the input is asserted plus the programmed access time. Connect a momentary push-button switch between the input lead and a 12VDC source to use this feature. **NOTE:** The unit will beep while the input is asserted.

Lockout Alarm (JB Connector)

The EA-P1-01x controller provides a relay output that is activated when the keypad is locked out due to reaching the number of allowed failed attempts. This will cause the relay to close (i.e. drive the voltage at the COM terminal) for the programmed keypad lockout time.

EA-P1 Proximity Controller Operating Instructions

Tamper Switch (JC Connector)

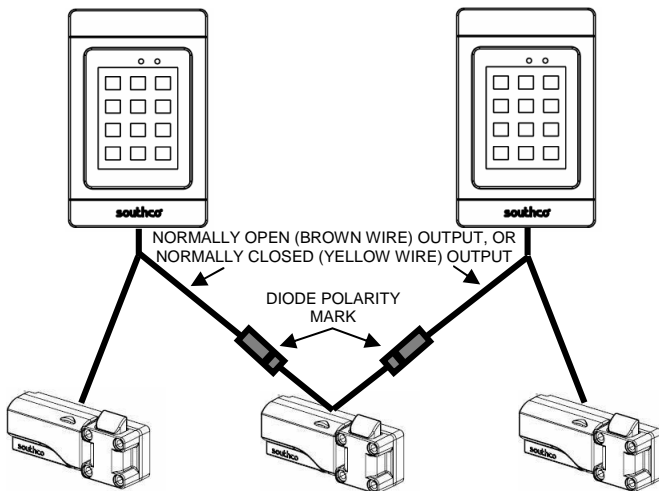
The JC connector can be used to monitor the status of the tamper switch. When the tamper switch is closed, the NO signal will be driven to the same voltage level as the COM signal. When the tamper switch is open, the NC signal will be driven to the same voltage level as the COM signal. See Wiring Diagram for pinout.

Connecting to Wiegand Reader (JD Connector)

The JD connector can be used to connect a 26-bit Wiegand reader to the EA-P1-01x. Supervisor and user cards do not need to be re-enrolled to work with the Wiegand reader. **NOTE:** Only readers that provide a 26-bit Wiegand output are supported. See Wiring Diagram for pinout.

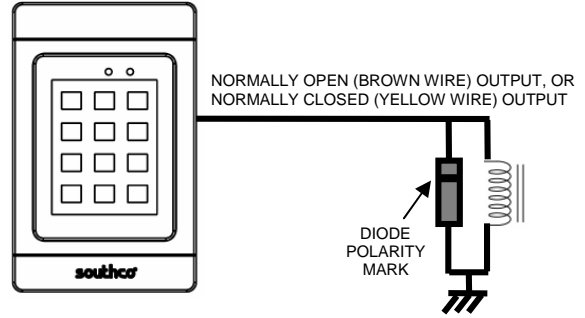
Wiring Multiple Controllers

A diode is provided with the EA-P1-01x controller. The diode allows for a keypad to be isolated when multiple controllers are connected to the same latch. Refer to the figure below for wiring details when using the diode when using multiple controllers. Observe proper polarity when connecting the diode.

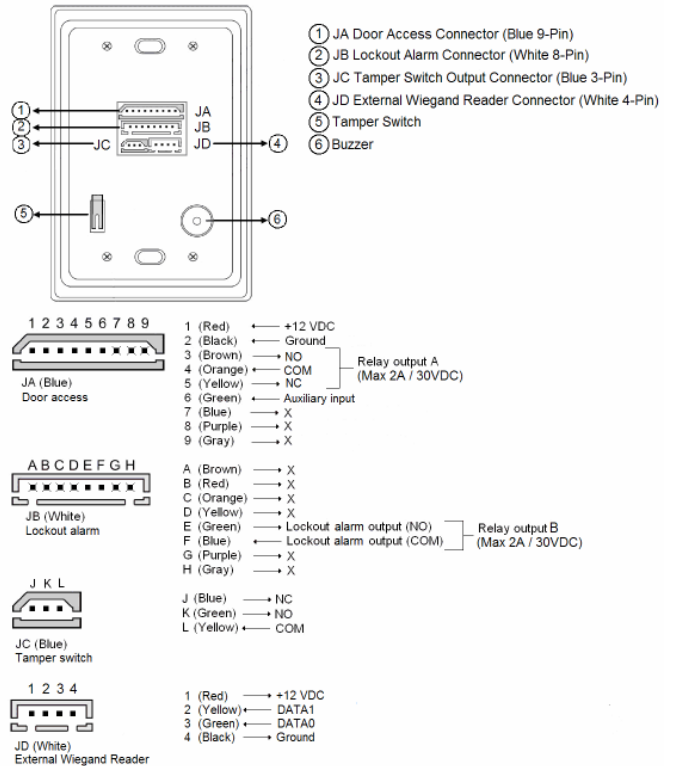


Connecting to an Inductive Load

A diode is provided with the EA-P1-01x controller. This diode should be used when connecting to a device with an inductive load (for example, a relay or door strike) to protect the controller from a reverse voltage spike. The diode should be placed in parallel with the coil, as shown in the figure below. Observe proper polarity when connecting the diode.



Wiring Diagram



CAUTION: Product can be damaged if wired incorrectly. Follow wiring diagram above.

CAUTION: A controller that has been programmed is non-returnable. Please use caution in programming functions so as not to render the keypad unusable.

For technical support of this product contact: info@southco.com or visit: www.southco.com