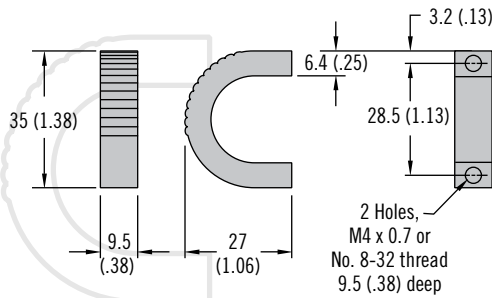


B4 Handle

Surface mount

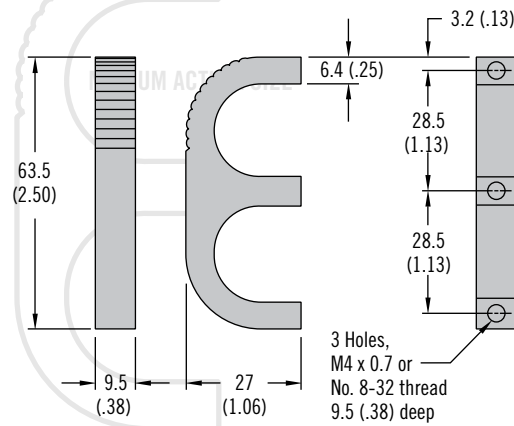


Small

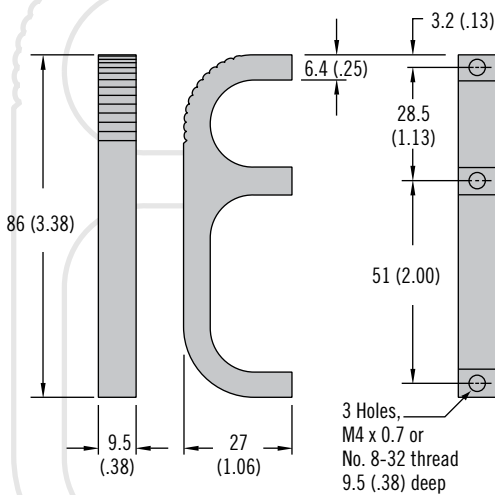


SMALL ACTUAL SIZE

Medium

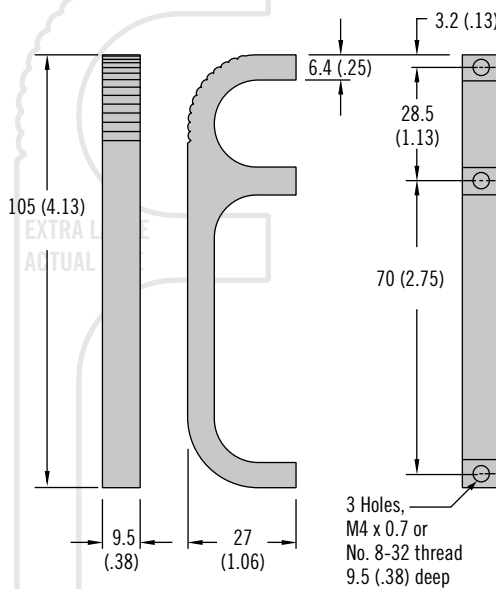


Large



LARGE ACTUAL SIZE

Extra Large



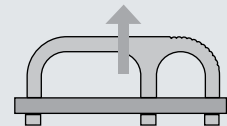
- Easy concealed installation
- Light-weight

Material and Finish

Aluminum, anodized, clear or black

Performance Details

Max. static load: 5560 N (1250 lbf)



Installation Notes

Screws not supplied.

Calculate screw length using the following formula:

Door thickness + 9.5 (.38)

Center screw may be eliminated if desired (200, 300 and 400 Series)

Max. recommended tightening torque of mounting screws:

2.3 N•m (20 in•lbf) (not supplied)

Part Number Selection

B4 - T - S 0 3 - 1 F - P

T Tapped mounting hole

10 Imperial 8-32

50 Metric M4 x 0.7

S Size

1 Small

2 Medium

3 Large

4 Extra large

P Packing option

Omit for individual packaging

3 Layer packaged contact Southco

F Finish

1 Clear anodized

5 Black anodized

B4-10-103-11
B4-10-103-11-3
B4-10-103-12
B4-10-103-12-3
B4-10-103-15
B4-10-103-15-3
B4-10-103-75
B4-10-203-11
B4-10-203-11-3
B4-10-203-12
B4-10-203-12-3
B4-10-203-15
B4-10-203-15-3
B4-10-203-75
B4-10-303-11
B4-10-303-11-3
B4-10-303-12
B4-10-303-12-3
B4-10-303-15
B4-10-303-15-3
B4-10-303-75
B4-10-403-11
B4-10-403-11-3
B4-10-403-12
B4-10-403-12-3
B4-10-403-15
B4-10-403-15-3
B4-10-403-75
B4-50-103-11
B4-50-103-11-3
B4-50-103-12
B4-50-103-12-3
B4-50-103-15
B4-50-103-15-3
B4-50-103-75
B4-50-203-11
B4-50-203-11-3
B4-50-203-12
B4-50-203-12-3
B4-50-203-15
B4-50-203-15-3
B4-50-203-75
B4-50-303-11
B4-50-303-11-3
B4-50-303-12
B4-50-303-12-3
B4-50-303-15
B4-50-303-15-3
B4-50-303-75
B4-50-403-11
B4-50-403-11-3
B4-50-403-12
B4-50-403-12-3

B4-50-403-15
B4-50-403-15-3
B4-50-403-75