



H3 Swinghandle System

Medium / large · Sealed / non-sealed

- Zinc alloy swinghandle system
- Multiple locking options; including DIN profile
- Indoor/outdoor version
- Available for medium (125mm x 25mm) and large (150mm x 25mm) door cutout
- Linear and rotational systems available

Material and Finish

Handle: Zinc alloy black powder coated or satin chrome plated
Cam: Steel, zinc plated

Performance Details

Max. static load: 250 N (56 lbf)

Sealing Notes

Sealed version meets NEMA 4/IP 66 water intrusion standards

Keys

See page 98

Notes

Product available to meet Telcordia GR-487 contact Southco for details

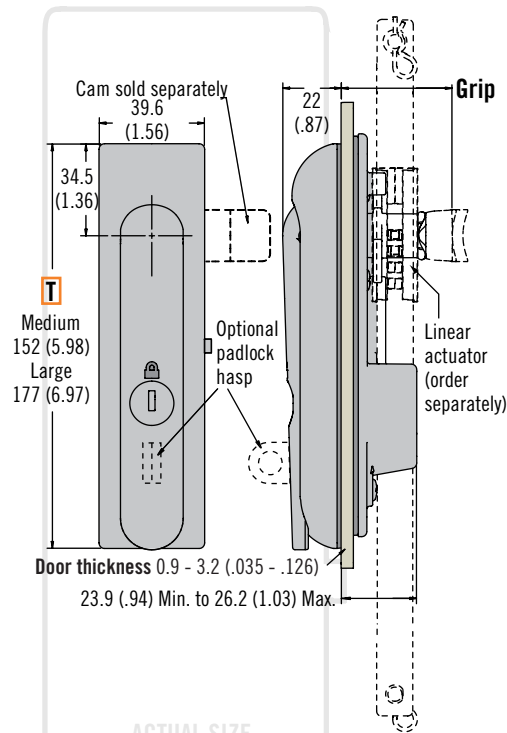
Electromechanical swinghandle available see pages 30 - 31

For single point and actuator plate system see page 112 - 113

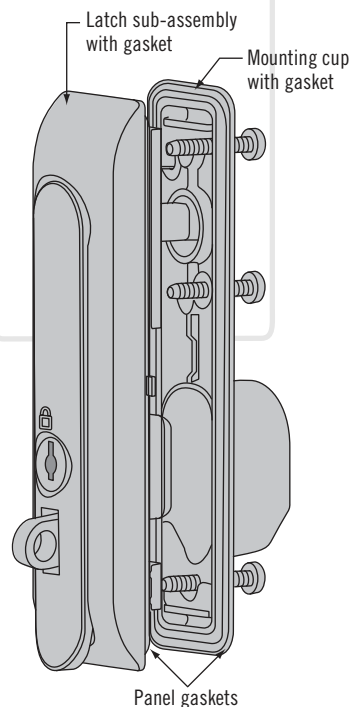
For dimension details of DIN lock version, please contact Southco

Sealed (H3-50 medium shown)

(Also available in large. See part number selection)

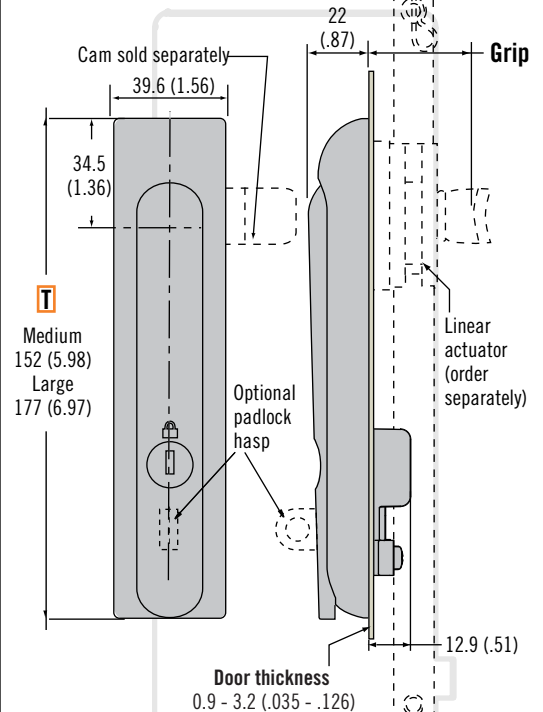


ACTUAL SIZE
H3-50 MEDIUM

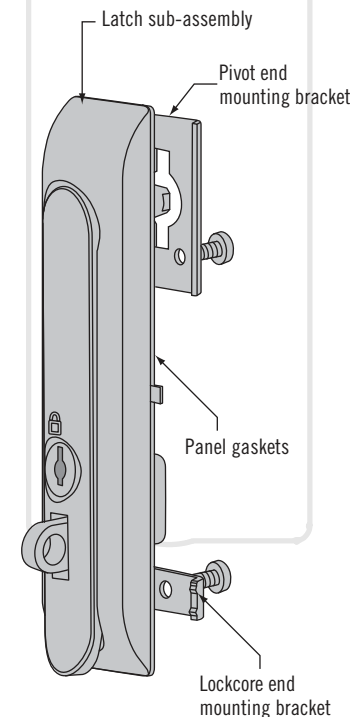


Non-Sealed (H3-60 large shown)

(Also available in medium. See part number selection)

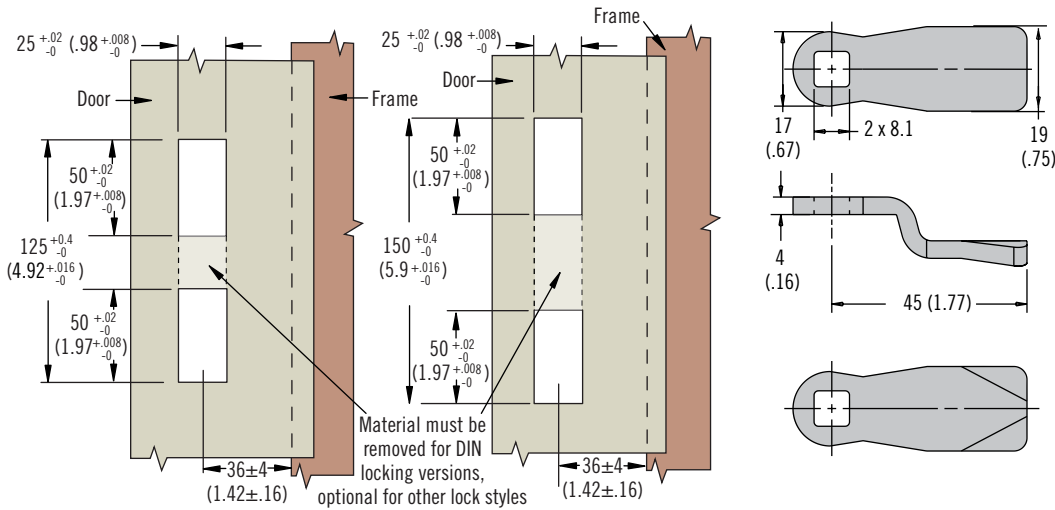


ACTUAL SIZE
H30-60 LARGE



Medium H3-50

Large H3-60



Part Number Selection

For single point:
Order latch and cam separately
(see pages 112 - 113)

For multi-point order:
Latch and cam (if 3 point latching
required)

Linear actuator and rod adaptors
(see page 262)

Rods (see page 264)

Rod guides (see page 264)

Note

*2 Overmolded keys supplied

Cam Part Number Table For Use With Linear Actuator Or Actuator Plate					
Grip With Linear Actuator	Grip With Actuator Plate	Part Number	Grip With Linear Actuator	Grip With Actuator Plate	Part Number
~	10.3 (.41)	E5-6107	36.9 (1.45)	26.3 (1.04)	E5-6115
~	12.3 (.48)	E5-6108	38.9 (1.53)	28.3 (1.11)	E5-6116
24.9 (.98)	14.3 (.56)	E5-6109	40.9 (1.61)	30.3 (1.19)	E5-6117
26.9 (1.06)	16.3 (.64)	E5-6110	42.9 (1.69)	32.3 (1.27)	E5-6118
28.9 (1.14)	18.3 (.72)	E5-6111	44.9 (1.76)	34.3 (1.35)	E5-6119
30.9 (1.22)	20.3 (.80)	E5-6112	46.9 (1.85)	36.3 (1.43)	E5-6120
32.9 (1.30)	22.3 (.88)	E5-6113	48.9 (1.93)	38.3 (1.51)	E5-6121
34.9 (1.37)	24.3 (.96)	E5-6114	50.9 (2.00)	40.3 (1.59)	E5-6122

Latch Part Number (no cam)

T Size

- 50 Medium - 152 (5.98) height
- 60 Large - 177 (6.97) height

A Actuator style

- 1 No padlock hasp for use with linear actuator (see page 262)
- 2 With padlock hasp for use with linear actuator (see page 262)
- 3 No padlock hasp for use as single point or with actuator plate (see page 263)
- 4 With padlock hasp for use as single point or with actuator plate (see page 263)

S Sealing option

- 0 Non-sealed
- 1 Sealed

F Finish

- 44 Satin chrome
- 50 Black powder coated

L Lock style

- 00 Locking DIN profile (no lock supplied)
- 01 Locking keyed alike CH751*
- 02 Locking keyed alike 300*
- 03 Locking keyed alike 333*
- 20 Non-locking with detent
- 21 Locking DIN profile keyed alike CH751*
- 22 Locking DIN profile keyed alike 300*
- 23 Locking DIN profile keyed alike 333*
- 40 3 mm Double-bit
- 41 5 mm Double-bit
- 42 Bellcore 216
- 43 Bellcore Hex-Pin Recess
- 47 8 mm triangle
- 70 DIN profile 3 mm Double-bit
- 71 DIN profile 5 mm Double-bit
- 72 DIN profile Bellcore 216
- 73 DIN Profile Bellcore Hex-Pin Recess
- 77 DIN profile 8 mm triangle





H3 Linear Actuator

Linear actuator and rod adaptor

- Linear actuator for H3 swinghandles
- Linear rod travel for limited space
- Suitable for left and right hand applications

Material and Finish

Zinc alloy and steel, zinc plated

To Select Linear actuator and Rod Adaptor:

For use with H3-50 and H3-60 swinghandles (see pages 260 - 261)
 Order linear actuator and rod adaptors separately (1 actuator and 2 adaptors required per latch)

Accessories

Replacement rod adaptor retainer pin part number: H3-0-44778-01

Part Number

Linear actuator and rod adaptors see table

For multi-point order:

Latch (see page 261)

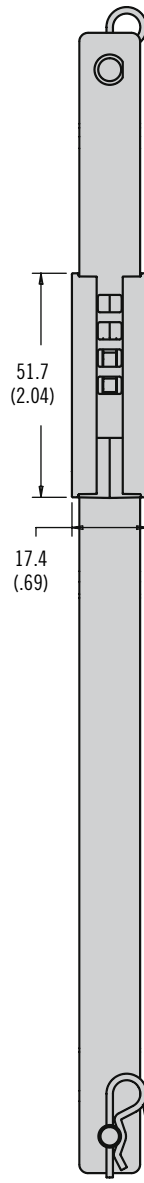
Cam (if 3 point latching required) (see page 261)

Linear actuator and rod adaptor (see table)

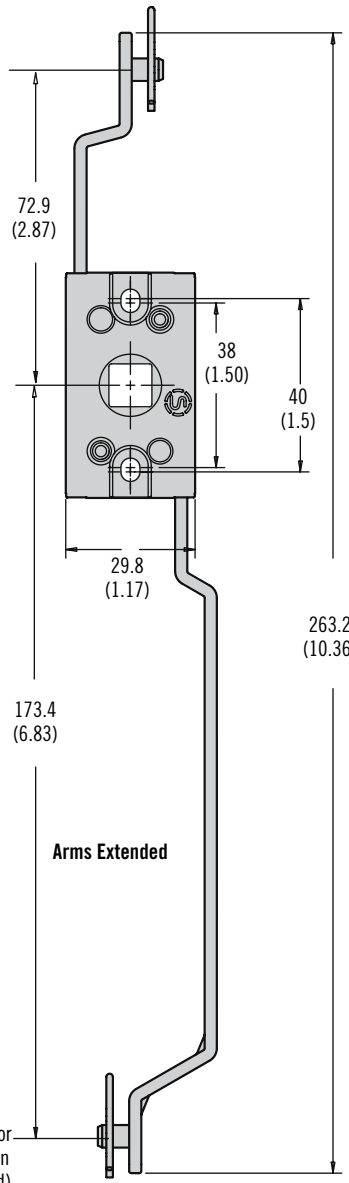
Rods (see page 264)

Rod guides (see page 264)

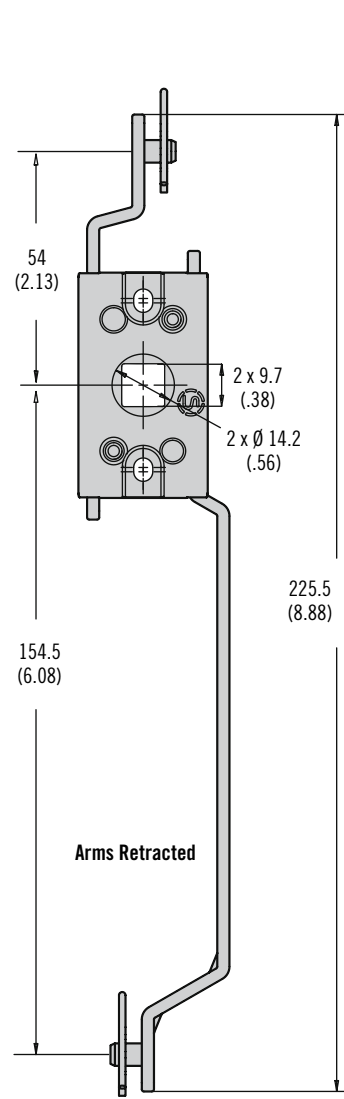
Linear Actuator



Closed Position

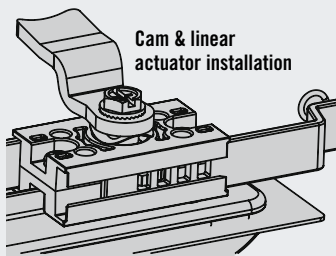
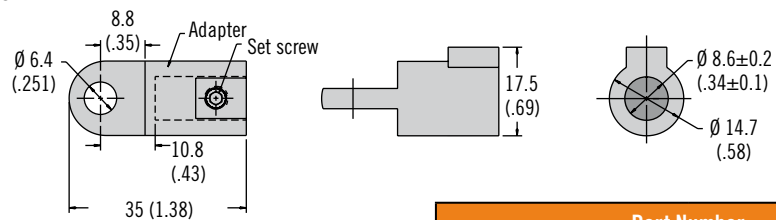


Open Position



Rod adaptor retainer pin (2 supplied)

Rod Adaptor



Part Number	
Linear actuator	H3-51-40
Rod adaptor	A5-92-201-31



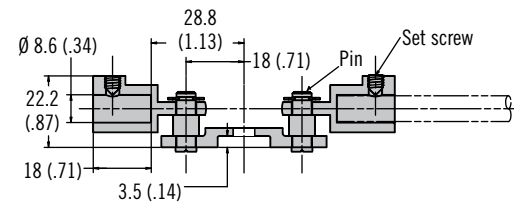
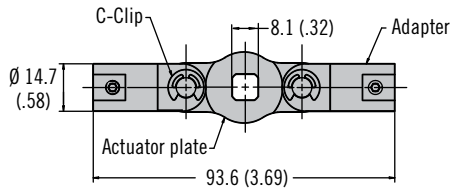
A5 Modular System

Actuator plates

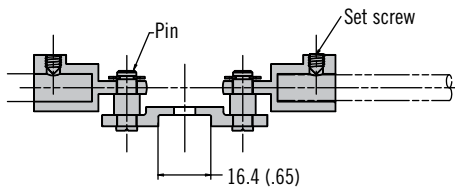
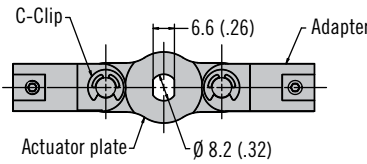


Actuator Plate

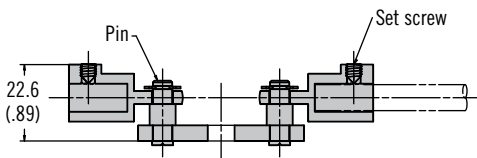
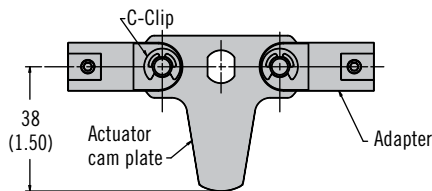
A5-90-101-11



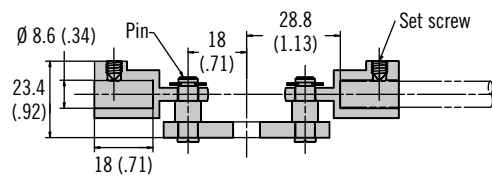
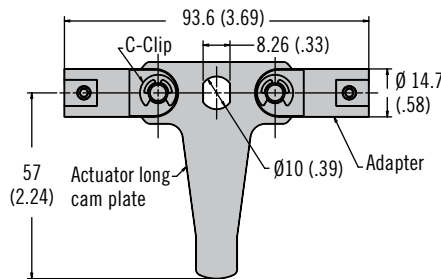
A5-90-301-11



A5-90-401-11 (Short Cam)



A5-90-501-11 (Long Cam)



- Modular actuators to suit multiple latch families using A5 modular rods








Material and Finish

Zinc alloy, steel, zinc plated and stainless steel set screw

To Select Correct Actuator:

1. Choose actuator plate to match latch family (one per latch required)
2. Order rods and rod guides from page 264

Actuator Plate Part Number

Actuator Plate Part Number							
Operating Latch Families							
	E5-5	E5-6	E5-9	H3-50	H3-60	62 Series M8 threaded shaft	92 Series M10 threaded shaft
	Pages 86 - 95			Pages 112 - 113		Pages 68 - 69	Pages 102 - 103
Actuator Plate Part Number	A5-90-101-11			A5-90-301-11	A5-90-401-11	A5-90-501-11	

Part Number

Actuator plate see table

Rods (see page 264)

Rod guides (see page 264)



A5 Modular System

Rods and rod guides

• Modular rod and rod guides

Material and Finish

Rods: Aluminum or steel, zinc plated
 Rod rollers: Glass-filled nylon, black
 Rod guides: Glass-filled nylon, black with steel, zinc plated hardware

To Select Correct Assembly:

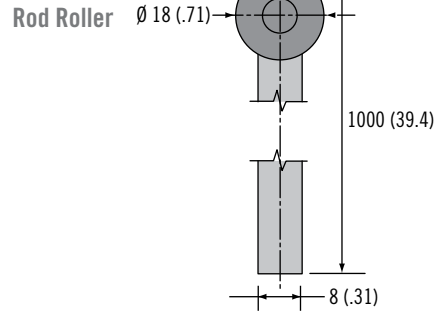
1. Choose actuator plate to match latch family or linear actuator and 2 adaptors
2. Order rod guides (2 per assembly).
 Fixed rod guide recommended for fixed point rod.
 Adjustable rod guide recommended for rod roller assembly.

3. Order rods (2 per assembly)

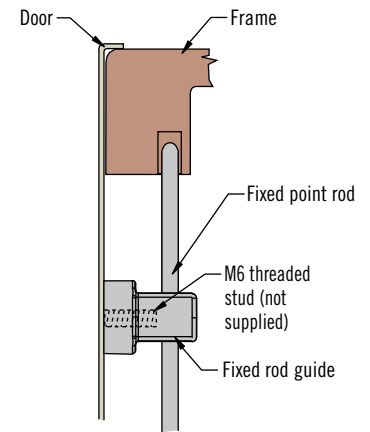
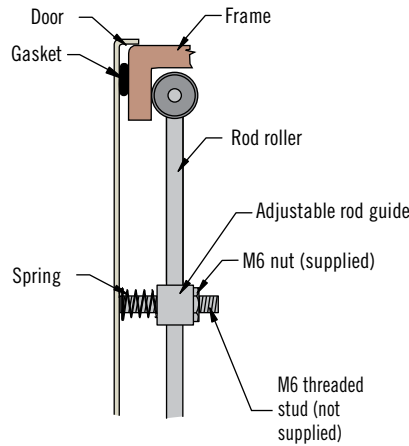
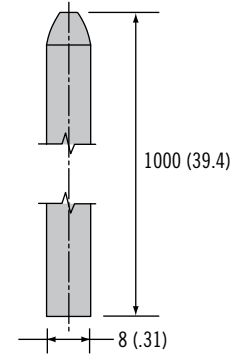
Part Number

Order rod and rod guide separately see tables

Rods



Fixed Point Rod

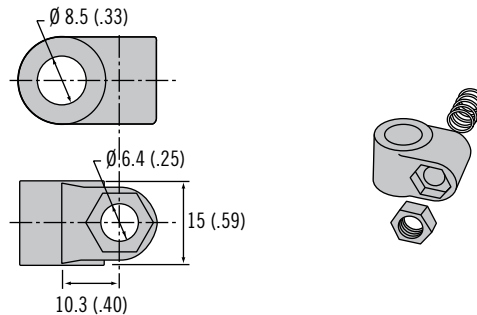


Rod Roller Steel Part Number
A5-56-1000-21

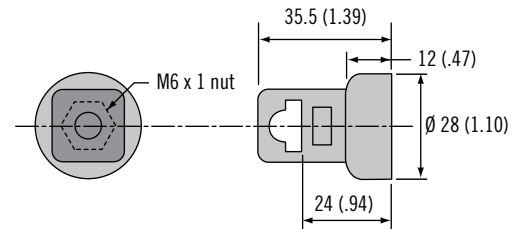
Material	Fixed Point Rod Part Number
Aluminum	A5-55-1000-10
Steel	A5-55-1000-11

Rod Guides

Adjustable



Fixed



Adjustable Rod Guide Part Number (includes 2 rod guides, 2 springs and 2 M6 nuts)
A5-87-401

Fixed Rod Guide Part Number (one piece supplied)
A5-81-301-71

Other options available. For complete details on variety, part numbers, installation and specification, go to

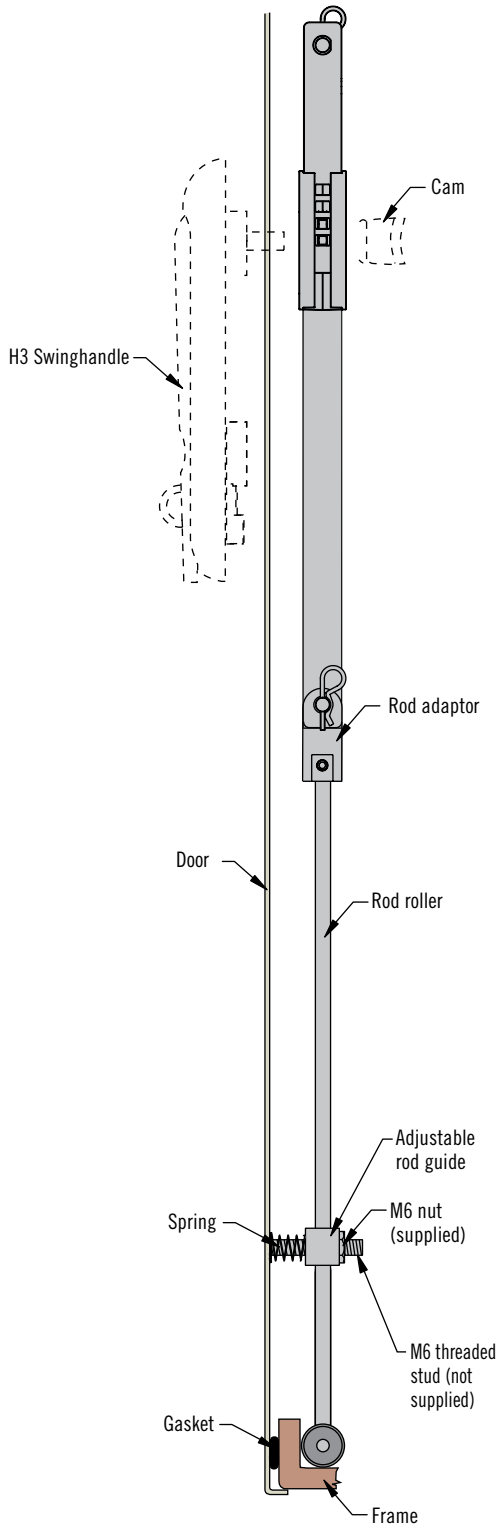


www.southco.com/A5

Dimensions in millimeters (inch) unless otherwise stated

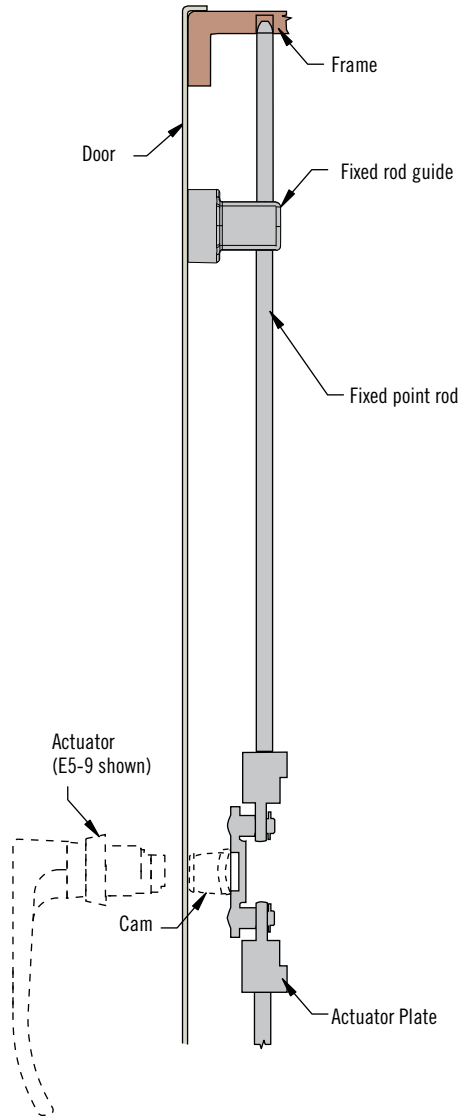
Linear Actuator Assembly

(adjustable with rod roller shown)



Actuator Plate Assembly

(fixed point shown)



Notes

Modular system allows for any configuration of rod and rod guides





H3 Swinghandle System

Plastic · Large · Non-sealed

- **Lightweight Glass filled nylon swinghandle system UL94-V0 rated**
- **DIN profile locking options**
- **Push or turn to close versions available**

Material and Finish

Handle: Glass filled nylon
Cam: Steel, zinc plated

Performance Details

Max. static load: 250 N (56 lbf)

Keys

Handbook Page 98

Visit www.southco.com

Notes

Electromechanical swinghandle available see pages 30 - 31 of the Southco handbook or visit www.southco.com

For metal version visit pages 260-262 of the Southco handbook or visit www.southco.com

Part Number Selection

For single point:

Order latch and cam separately

For multi-point order:

Latch and cam

Linear actuator and rod adaptors

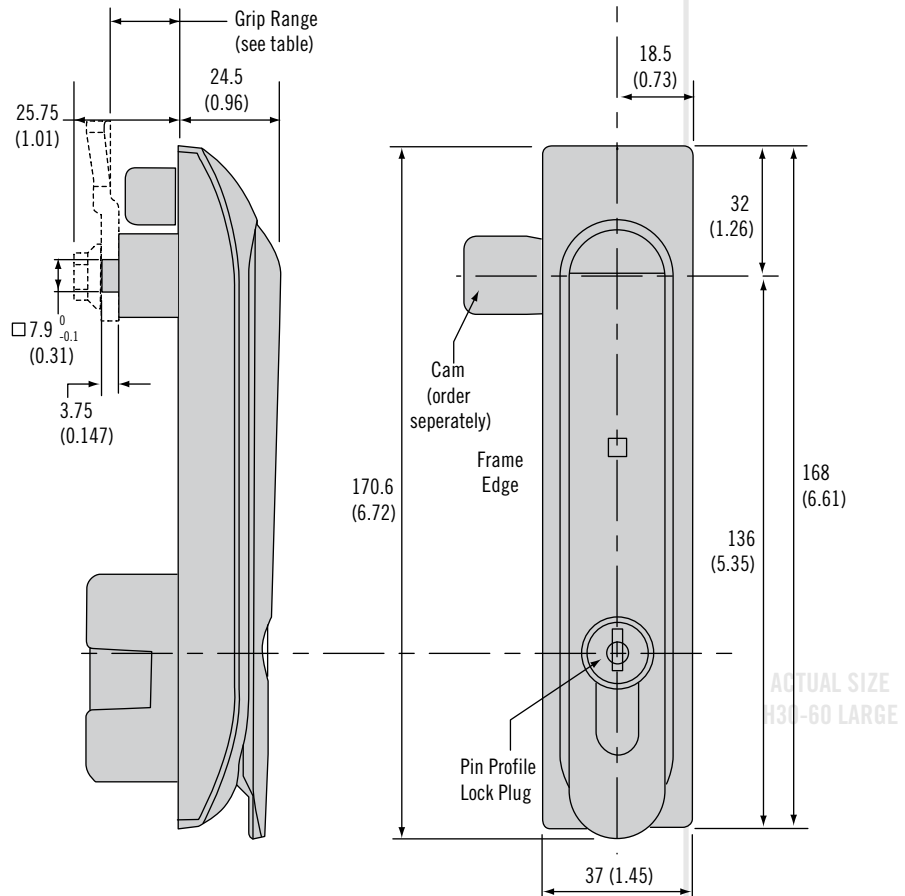
Rods

Rod guides

Note

*2 keys supplied

H3 Plastic Swinghandle



Latch Part Number (no cam)

T Style

65 Push to close handle

66 Turn to close handle

L Lock style

21 Locking DIN profile keyed alike CH751*

22 Locking DIN profile keyed alike 300*

23 Locking DIN profile keyed alike 333*

70 DIN profile 3 mm Double-bit

71 DIN profile 5 mm Double-bit

72 DIN profile Bellcore 216

73 DIN Profile Bellcore Hex-Pin Recess

77 DIN profile 8 mm triangle

H3 - T - 5 L - 0 7 1

Cam Part Number Table

GRIP	PART NO. (LENGTH = 38mm)	PART NO. (LENGTH = 45mm)
15.5	E5-6710	E5-6110
17.5	E5-6711	E5-6111
19.5	E5-6712	E5-6112
21.5	E5-6713	E5-6113
23.5	E5-6714	E5-6114
OTHER	Please contact Southco	

Dimensions in millimeters (inch) unless otherwise stated



www.southco.com/H3

southco
CONNECT · CREATE · INNOVATE

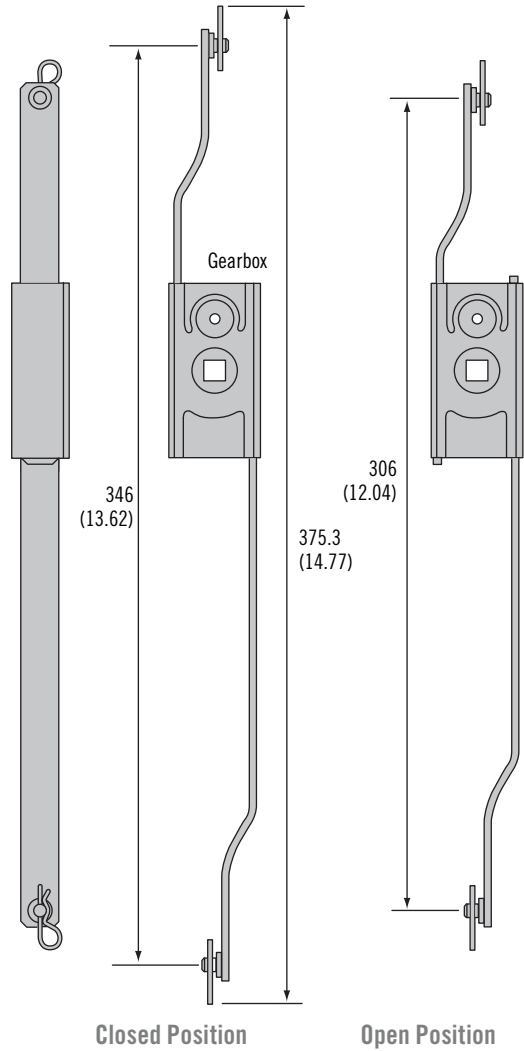
H3 Linear Actuators

Linear actuators and rod adaptor for plastic H3 swinghandle system

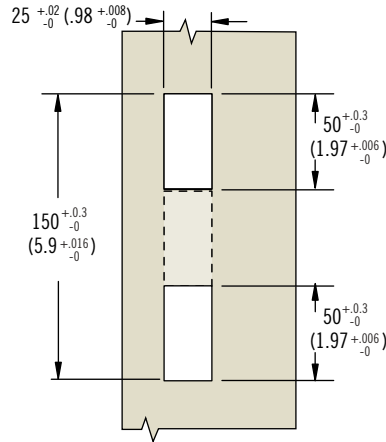


Linear Actuator

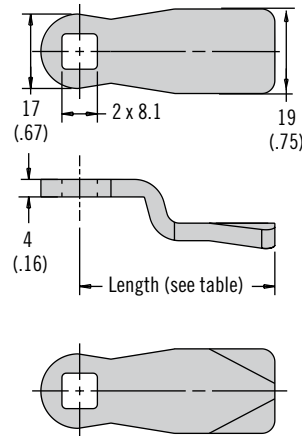
(Right Hand Mounting shown)



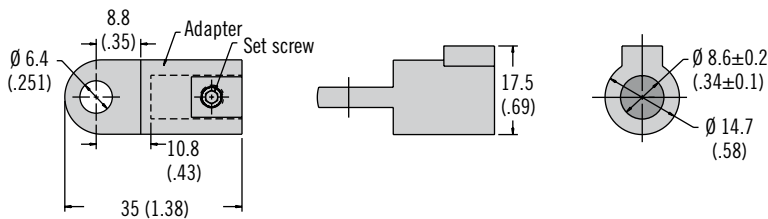
Panel Preparation



Cam



Rod Adaptor



Part Number	
Linear actuator right hand mounting	H3-61-56-33
Linear actuator left hand mounting	H3-61-55-33
Rod adaptor	A5-92-201-31

- Linear actuator for Plastic H3 swinghandles
- Linear rod travel for limited space
- Suitable for left and right hand applications
- Left and Right hand Actuators can be disassembled and reassembled in the opposite hand if required

Material and Finish

Zinc alloy and steel, zinc plated

To Select Linear actuator and Rod Adaptor:

For use with H3-65 and H3-66 swinghandles. Order linear actuator and rod adaptors separately (1 actuator and 2 adaptors required per latch)

Accessories

Replacement rod adaptor retainer pin part number: H3-0-44778-01

Part Number

Linear actuator and rod adaptors see table

For multi-point order: Latch Cam (if 3 point latching required) Linear actuator and rod adaptor (see table)

Rods, Rod guides visit www.southco.com/H3

Dimensions in millimeters (inch) unless otherwise stated

H3-0-44778-01	H3-50-141-150	H3-50-221-144	H3-50-301-150	H3-50-370-150	H3-50-441-044
H3-0-45688	H3-50-142-044	H3-50-221-150	H3-50-302-044	H3-50-371-044	H3-50-441-050
H3-0-45688-24	H3-50-142-050	H3-50-222-044	H3-50-302-050	H3-50-371-050	H3-50-441-144
H3-50-100-044	H3-50-142-144	H3-50-222-050	H3-50-302-144	H3-50-371-144	H3-50-441-150
H3-50-100-050	H3-50-142-150	H3-50-222-144	H3-50-302-150	H3-50-371-150	H3-50-442-044
H3-50-100-144	H3-50-143-050	H3-50-222-150	H3-50-303-044	H3-50-372-044	H3-50-442-050
H3-50-100-150	H3-50-145-050	H3-50-223-044	H3-50-303-050	H3-50-372-050	H3-50-442-144
H3-50-101-044	H3-50-147-044	H3-50-223-050	H3-50-303-144	H3-50-372-144	H3-50-442-150
H3-50-101-050	H3-50-147-050	H3-50-223-144	H3-50-303-150	H3-50-372-150	H3-50-443-150
H3-50-101-144	H3-50-147-144	H3-50-223-150	H3-50-304-050	H3-50-377-044	H3-50-447-044
H3-50-101-150	H3-50-147-150	H3-50-224-044	H3-50-304-150	H3-50-377-050	H3-50-447-050
H3-50-102-044	H3-50-170-044	H3-50-224-050	H3-50-305-050	H3-50-377-144	H3-50-447-144
H3-50-102-050	H3-50-170-050	H3-50-224-144	H3-50-305-150	H3-50-377-150	H3-50-447-150
H3-50-102-144	H3-50-170-144	H3-50-224-150	H3-50-320-044	H3-50-378-144	H3-50-470-044
H3-50-102-150	H3-50-170-150	H3-50-240-044	H3-50-320-050	H3-50-378-150	H3-50-470-050
H3-50-103-044	H3-50-171-044	H3-50-240-050	H3-50-320-144	H3-50-400-044	H3-50-470-144
H3-50-103-050	H3-50-171-050	H3-50-240-144	H3-50-320-150	H3-50-400-050	H3-50-470-150
H3-50-103-144	H3-50-171-144	H3-50-240-150	H3-50-321-044	H3-50-400-144	H3-50-471-044
H3-50-103-150	H3-50-171-150	H3-50-241-044	H3-50-321-050	H3-50-400-150	H3-50-471-050
H3-50-104-044	H3-50-172-044	H3-50-241-050	H3-50-321-144	H3-50-401-044	H3-50-471-144
H3-50-104-050	H3-50-172-050	H3-50-241-144	H3-50-321-150	H3-50-401-050	H3-50-471-150
H3-50-104-150	H3-50-172-144	H3-50-241-150	H3-50-322-044	H3-50-401-144	H3-50-472-044
H3-50-105-044	H3-50-172-150	H3-50-242-044	H3-50-322-050	H3-50-401-150	H3-50-472-050
H3-50-105-050	H3-50-177-044	H3-50-242-050	H3-50-322-144	H3-50-402-044	H3-50-472-144
H3-50-105-144	H3-50-177-050	H3-50-242-144	H3-50-322-150	H3-50-402-050	H3-50-472-150
H3-50-105-150	H3-50-177-144	H3-50-242-150	H3-50-323-044	H3-50-402-144	H3-50-477-044
H3-50-106-150	H3-50-177-150	H3-50-247-044	H3-50-323-050	H3-50-402-150	H3-50-477-050
H3-50-107-150	H3-50-200-044	H3-50-247-050	H3-50-323-144	H3-50-403-044	H3-50-477-144
H3-50-120-044	H3-50-200-050	H3-50-247-144	H3-50-323-150	H3-50-403-050	H3-50-477-150
H3-50-120-050	H3-50-200-144	H3-50-247-150	H3-50-324-050	H3-50-403-144	H3-51-20-71
H3-50-120-144	H3-50-200-150	H3-50-270-044	H3-50-324-150	H3-50-403-150	H3-51-40
H3-50-120-150	H3-50-201-044	H3-50-270-050	H3-50-340-044	H3-50-404-050	H3-60-100-044
H3-50-121-044	H3-50-201-050	H3-50-270-144	H3-50-340-050	H3-50-404-150	H3-60-100-050
H3-50-121-050	H3-50-201-144	H3-50-270-150	H3-50-340-144	H3-50-420-044	H3-60-100-144
H3-50-121-144	H3-50-201-150	H3-50-271-044	H3-50-340-150	H3-50-420-050	H3-60-100-150
H3-50-121-150	H3-50-202-044	H3-50-271-050	H3-50-341-044	H3-50-420-144	H3-60-101-044
H3-50-122-044	H3-50-202-050	H3-50-271-144	H3-50-341-050	H3-50-420-150	H3-60-101-050
H3-50-122-050	H3-50-202-144	H3-50-271-150	H3-50-341-144	H3-50-421-044	H3-60-101-144
H3-50-122-144	H3-50-202-150	H3-50-272-044	H3-50-341-150	H3-50-421-050	H3-60-101-150
H3-50-122-150	H3-50-203-044	H3-50-272-050	H3-50-342-044	H3-50-421-144	H3-60-102-044
H3-50-123-044	H3-50-203-050	H3-50-272-144	H3-50-342-050	H3-50-421-150	H3-60-102-050
H3-50-123-050	H3-50-203-144	H3-50-272-150	H3-50-342-144	H3-50-422-044	H3-60-102-144
H3-50-123-144	H3-50-203-150	H3-50-277-044	H3-50-342-150	H3-50-422-050	H3-60-102-150
H3-50-123-150	H3-50-204-044	H3-50-277-050	H3-50-343-050	H3-50-422-144	H3-60-103-044
H3-50-123-644	H3-50-204-050	H3-50-277-144	H3-50-343-150	H3-50-422-150	H3-60-103-050
H3-50-124-150	H3-50-204-144	H3-50-277-150	H3-50-345-050	H3-50-423-044	H3-60-103-144
H3-50-140-044	H3-50-204-150	H3-50-300-044	H3-50-347-044	H3-50-423-050	H3-60-103-150
H3-50-140-050	H3-50-220-044	H3-50-300-050	H3-50-347-050	H3-50-423-144	H3-60-104-050
H3-50-140-144	H3-50-220-050	H3-50-300-144	H3-50-347-144	H3-50-423-150	H3-60-104-144
H3-50-140-150	H3-50-220-144	H3-50-300-150	H3-50-347-150	H3-50-440-044	H3-60-104-150
H3-50-141-044	H3-50-220-150	H3-50-301-044	H3-50-370-044	H3-50-440-050	H3-60-120-044
H3-50-141-050	H3-50-221-044	H3-50-301-050	H3-50-370-050	H3-50-440-144	H3-60-120-050
H3-50-141-144	H3-50-221-050	H3-50-301-144	H3-50-370-144	H3-50-440-150	H3-60-120-144

H3-60-120-150	H3-60-201-044	H3-60-271-050	H3-60-340-044	H3-60-404-150	H3-65-500-071
H3-60-121-044	H3-60-201-050	H3-60-271-144	H3-60-340-050	H3-60-420-044	H3-65-521-071
H3-60-121-050	H3-60-201-144	H3-60-271-150	H3-60-340-144	H3-60-420-050	H3-65-522-071
H3-60-121-144	H3-60-201-150	H3-60-272-044	H3-60-340-150	H3-60-420-144	H3-65-523-071
H3-60-121-150	H3-60-202-044	H3-60-272-050	H3-60-341-044	H3-60-420-150	H3-65-531-071
H3-60-122-044	H3-60-202-050	H3-60-272-144	H3-60-341-050	H3-60-421-044	H3-65-570-071
H3-60-122-050	H3-60-202-144	H3-60-272-150	H3-60-341-144	H3-60-421-050	H3-65-571-071
H3-60-122-144	H3-60-202-150	H3-60-273-144	H3-60-341-150	H3-60-421-144	H3-65-572-071
H3-60-122-150	H3-60-203-044	H3-60-273-150	H3-60-342-044	H3-60-421-150	H3-65-573-071
H3-60-123-044	H3-60-203-050	H3-60-277-044	H3-60-342-050	H3-60-422-044	H3-65-574-071
H3-60-123-050	H3-60-203-144	H3-60-277-050	H3-60-342-144	H3-60-422-050	H3-65-577-071
H3-60-123-144	H3-60-203-150	H3-60-277-144	H3-60-342-150	H3-60-422-144	H3-65-890-071
H3-60-123-150	H3-60-204-050	H3-60-277-150	H3-60-347-044	H3-60-422-150	H3-65-990-071
H3-60-124-050	H3-60-204-144	H3-60-300-044	H3-60-347-050	H3-60-423-044	H3-66-500-071
H3-60-124-150	H3-60-204-150	H3-60-300-050	H3-60-347-144	H3-60-423-050	H3-66-521-071
H3-60-140-044	H3-60-220-044	H3-60-300-144	H3-60-347-150	H3-60-423-144	H3-66-522-071
H3-60-140-050	H3-60-220-050	H3-60-300-150	H3-60-370-044	H3-60-423-150	H3-66-523-071
H3-60-140-144	H3-60-220-144	H3-60-301-044	H3-60-370-050	H3-60-440-044	H3-66-524-071
H3-60-140-150	H3-60-220-150	H3-60-301-050	H3-60-370-144	H3-60-440-050	H3-66-531-071
H3-60-141-044	H3-60-221-044	H3-60-301-144	H3-60-370-150	H3-60-440-144	H3-66-570-071
H3-60-141-050	H3-60-221-050	H3-60-301-150	H3-60-371-044	H3-60-440-150	H3-66-571-071
H3-60-141-144	H3-60-221-144	H3-60-302-044	H3-60-371-050	H3-60-441-044	H3-66-572-071
H3-60-141-150	H3-60-221-150	H3-60-302-050	H3-60-371-144	H3-60-441-050	H3-66-573-071
H3-60-142-044	H3-60-222-044	H3-60-302-144	H3-60-371-150	H3-60-441-144	H3-66-574-071
H3-60-142-050	H3-60-222-050	H3-60-302-150	H3-60-372-044	H3-60-441-150	H3-66-577-071
H3-60-142-144	H3-60-222-144	H3-60-303-044	H3-60-372-050	H3-60-442-044	
H3-60-142-150	H3-60-222-150	H3-60-303-050	H3-60-372-144	H3-60-442-050	
H3-60-143-150	H3-60-223-044	H3-60-303-144	H3-60-372-150	H3-60-442-144	
H3-60-147-044	H3-60-223-050	H3-60-303-150	H3-60-377-044	H3-60-442-150	
H3-60-147-050	H3-60-223-144	H3-60-304-050	H3-60-377-050	H3-60-443-050	
H3-60-147-144	H3-60-223-150	H3-60-304-150	H3-60-377-144	H3-60-443-150	
H3-60-147-150	H3-60-240-044	H3-60-305-044	H3-60-377-150	H3-60-447-044	
H3-60-170-044	H3-60-240-050	H3-60-305-050	H3-60-378-144	H3-60-447-050	
H3-60-170-050	H3-60-240-144	H3-60-305-144	H3-60-378-150	H3-60-447-144	
H3-60-170-144	H3-60-240-150	H3-60-305-150	H3-60-400-044	H3-60-447-150	
H3-60-170-150	H3-60-241-044	H3-60-320-044	H3-60-400-050	H3-60-470-044	
H3-60-171-044	H3-60-241-050	H3-60-320-050	H3-60-400-144	H3-60-470-050	
H3-60-171-050	H3-60-241-144	H3-60-320-144	H3-60-400-150	H3-60-470-144	
H3-60-171-144	H3-60-241-150	H3-60-320-150	H3-60-401-044	H3-60-470-150	
H3-60-171-150	H3-60-242-044	H3-60-321-044	H3-60-401-050	H3-60-471-044	
H3-60-172-044	H3-60-242-050	H3-60-321-050	H3-60-401-144	H3-60-471-050	
H3-60-172-050	H3-60-242-144	H3-60-321-144	H3-60-401-150	H3-60-471-144	
H3-60-172-144	H3-60-242-150	H3-60-321-150	H3-60-402-044	H3-60-471-150	
H3-60-172-150	H3-60-243-150	H3-60-322-044	H3-60-402-050	H3-60-472-044	
H3-60-173-150	H3-60-247-044	H3-60-322-050	H3-60-402-144	H3-60-472-050	
H3-60-177-044	H3-60-247-050	H3-60-322-144	H3-60-402-150	H3-60-472-144	
H3-60-177-050	H3-60-247-144	H3-60-322-150	H3-60-403-044	H3-60-472-150	
H3-60-177-144	H3-60-247-150	H3-60-323-044	H3-60-403-050	H3-60-477-044	
H3-60-177-150	H3-60-270-044	H3-60-323-050	H3-60-403-144	H3-60-477-050	
H3-60-200-044	H3-60-270-050	H3-60-323-144	H3-60-403-150	H3-60-477-144	
H3-60-200-050	H3-60-270-144	H3-60-323-150	H3-60-404-044	H3-60-477-150	
H3-60-200-144	H3-60-270-150	H3-60-324-050	H3-60-404-050	H3-61-55-33	
H3-60-200-150	H3-60-271-044	H3-60-324-150	H3-60-404-144	H3-61-56-33	