



| Aerospace Industry
| Engineered Access Solutions

Why Southco?

From cockpit to cabin, Southco offers a comprehensive product portfolio of latching, fastening and positioning technologies for a wide range of interior and exterior aircraft applications.

Our broad offering of engineered access solutions meets Aerospace industry requirements for strength, durability and compliance, enhances passenger comfort, and provides an extra layer of safety and security.



Total Program Management

Southco provides total program management, from initial design and prototyping to manufacturing and logistics:



Engineer-to-engineer connectivity



Industry standard products to meet global compliance specifications



Global supply and manufacturing presence with localized support



Off-the-shelf solutions suitable for high and low volume production



Innovative product design and development



Continuous improvement for defect-free manufacturing and on-time delivery



Comfort, Functionality and Security

Southco products offer proven reliability and seamlessly integrate into Aerospace applications:

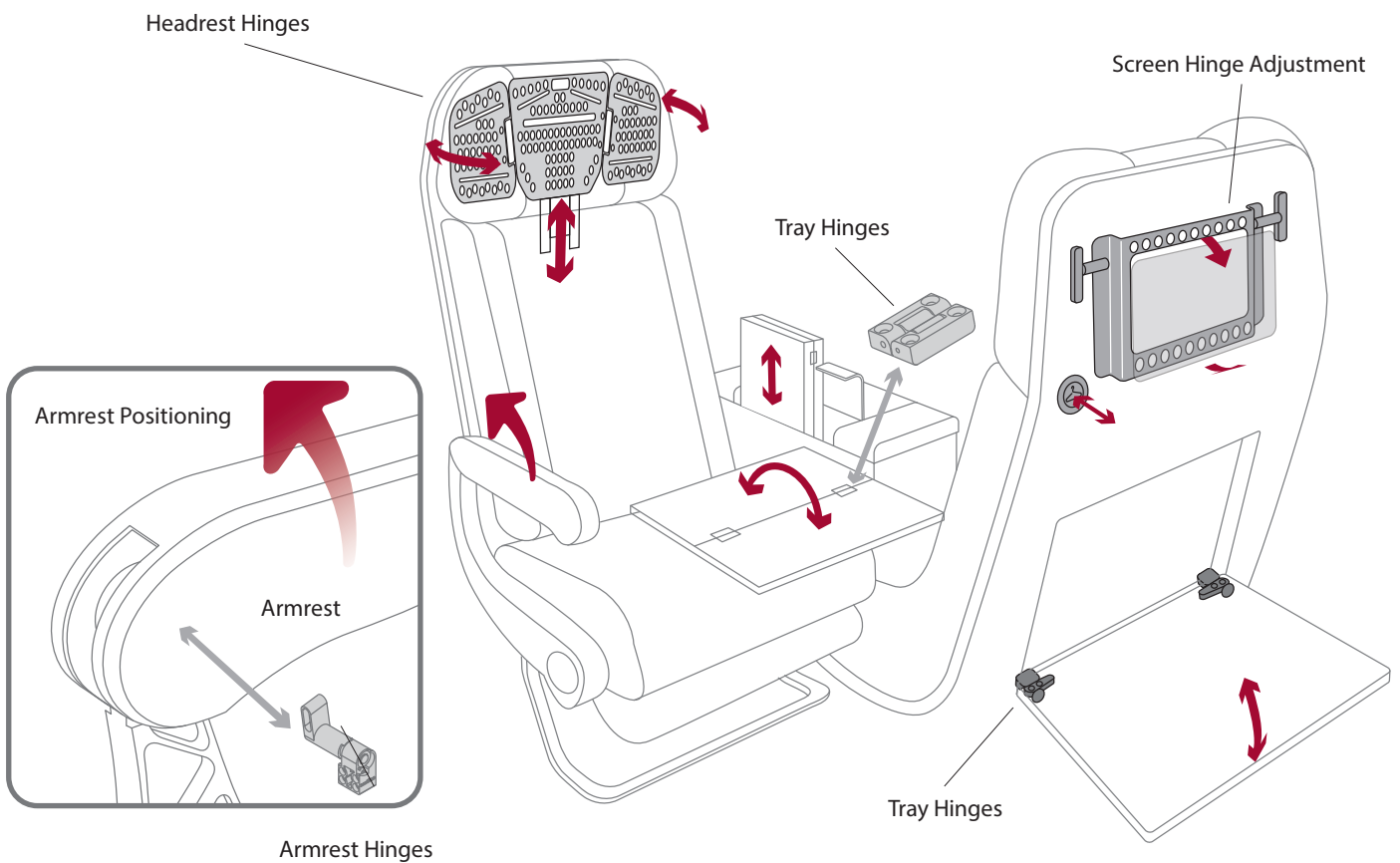
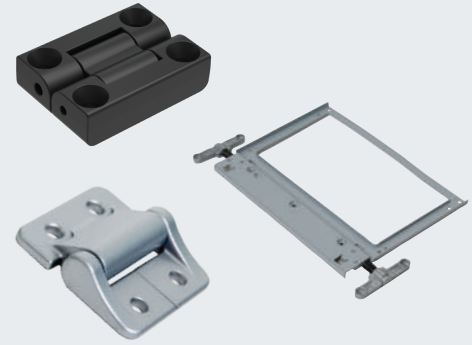
- Positioning Hinges and Display Mounting solutions improve the passenger experience
- Electronic Access Solutions increase cabin security and safety
- Push-to-Close Latches offer secure latching with visible and concealed mounting styles
- Multi-Point Latching Systems accommodate door misalignment and provide flexible actuation options, including remote actuation
- Draw and Compression Latches offer resilience and vibration resistance
- DZUS® Quick Access Fasteners enable easy maintenance and offer high cycle life
- LOCKWELL® Quick Release Pins offer dependable, fast removal for interior and exterior use



Positioning Technology Solutions

Southco's line of Positioning Hinges and Display Mounts ensure functionality and promote passenger comfort in cabin applications, enhancing ergonomics and usability.

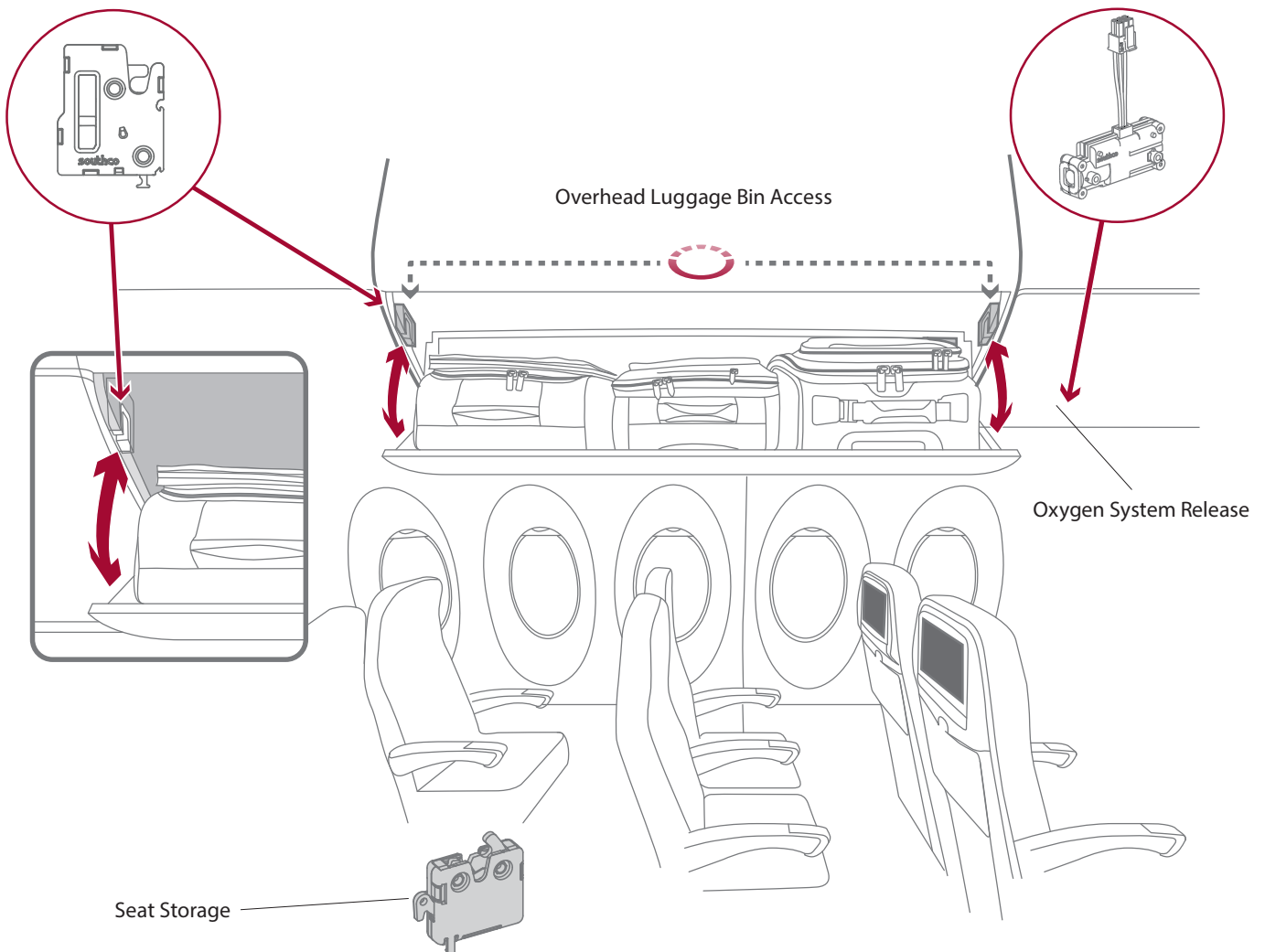
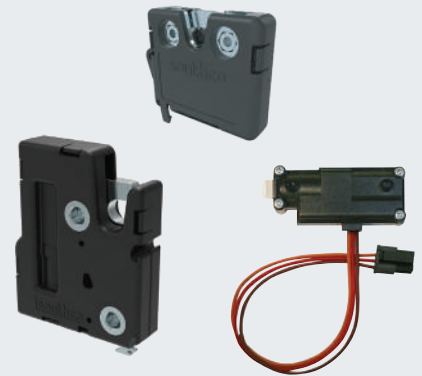
- Integrated torque hinges allow the end user to easily adjust headrest wings, yet support full head weight
- Positioning hinges enable lightweight access panels to feel heavier and more substantial
- Display mounting options support inflight entertainment (IFE) systems, whether positioning a screen from the headrest or armrest



Electronic Access Solutions

Southco's Electronic Access Solutions (EAS) improve safety and security across the aircraft. Intelligent electronic locks provide reliable, secure latching, and remote access and control.

- Keep access points secure during take-off, taxi and landing, or turbulence
- Allow flight crew to remotely control passengers' access to overhead luggage bins, lavatories or food trays
- Secure and controlled access to crew-only areas, devices and storage boxes
- Compliance with RTCA DO-160 & DO-178B



Wide Range of Applications

Maximizing the passenger flight experience and supporting the crew in performing tasks safely and securely are our key priorities.

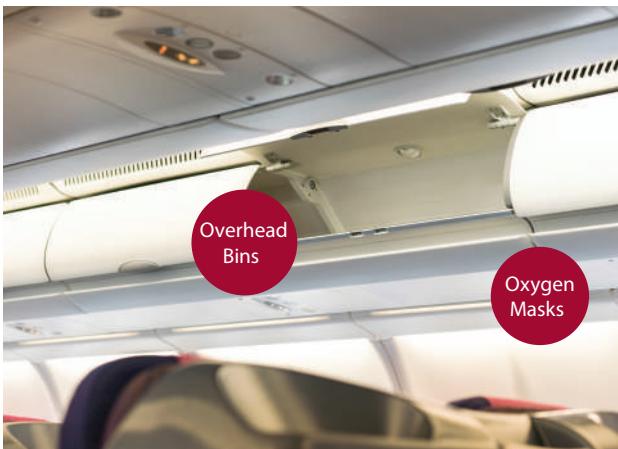
SEATING



CABINS



OVERHEAD STORAGE



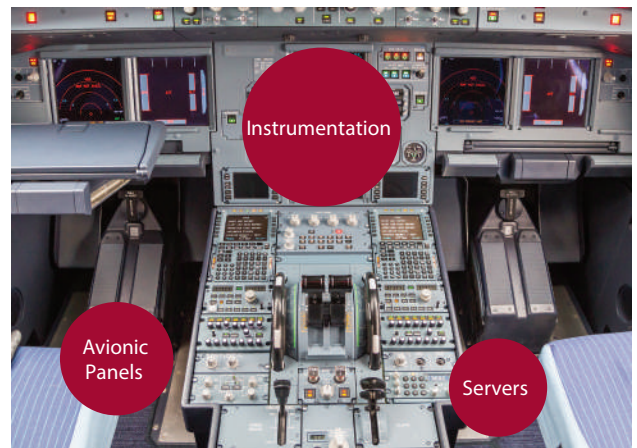
LAVATORY UNITS



GALLEYS



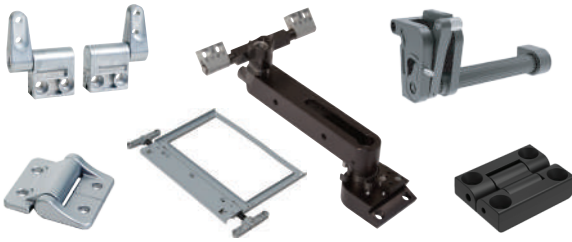
AVIONICS AND COCKPIT SYSTEMS



Wide Range of Products

Our products are engineered to improve passenger comfort, functional convenience and operational safety.

Positioning Technology & Hinges



Electronic Access Solutions



Push-to-Close Latches



Compression Latches



Draw Latches



Multi-Point Latching Systems



Quick Access & Quarter-Turn Fasteners



Captive Screws & Inject / Eject Mechanisms



DZUS®

Lockwell®

About ONURFIX

Onurfix was established in 1984 in Istanbul. The firm which was primarily engaged in the importation of hardware and technical materials in the foundation years, has subsequently decided to specialize in assembly systems and assembly equipments by anticipating that the production systems will be diversified following the industrial development in Turkey.

Onurfix, which introduced the industrial sector in Turkey for the first time with more technological and innovative products other than the usual assembly products such as screw and bolts after importing rivet nuts in 1987, has become an essential supplier of the producing companies by never compromising the quality of customer satisfaction and internalizing and sharing technical knowledge.

Onurfix, which exhibits a sensitive position on such issues as

Quality product
Technical data
Product variety
Stock power
On-time delivery

Which are needed in the design and production process of the products, regards itself as a part of the production process and a solution partner, not a seller. With its technological and innovative product group, Onurfix which enables the producers to produce faster and less costly production has adopted the principle of adding value to the institutions it works with.



ELECTRONIC
ACCESS



DISPLAY
MOUNTS



COMPRESSION
LATCHES



CAM LATCHES,
LOCKS & SWING -
HANDLES



PUSH-TO-CLOSE
LATCHES



ROTARY
LATCHES



DRAW
LATCHES



HINGES



QUICK ACCESS
FASTENERS



CAPTIVE
SCREWS



INJECT / EJECT



LIFT-A-SYST

ONURFIX®

CENTRE

Des industry area 101 street
A2 blok No:48 34776
Yukarı Dudullu - ISTANBUL

Tel: +90 216 526 03 33

KARAKÖY (DEPARTMENT)

Tershane street Zincirli Han
Street No:7
Karaköy - ISTANBUL

Tel:+902122529083

İZMİR (DEPARTMENT)

Karacaoğlan street 6157/1
Street No:17/3
Bornova - IZMIR

Tel:+902324722985/86

satis@onurfix.com.tr

www.onurfix.com.tr