

# H3-EM ELECTRONIC SWINGHANDLE

## Cabinet Level Security





# H3-EM Electronic Swinghandle

## With Integrated RFID Access Control

- Combined electronic lock and RFID proximity reader
- Local monitoring with multi-color LED indicator
- Lock status outputs provided for remote monitoring
- HID 125kHz reader recognizes existing employee RFID prox cards
- Industry standard 25x150mm panel prep
- Integral keylock for manual over-ride

The new H3-EM Electronic Locking Swinghandle provides intelligent electronic locking and monitoring capabilities now with integrated 125kHz proximity card reader and Wiegand output. The Wiegand output can be connected to a standalone controller or it can be connected to an existing networked access control system for remote control, monitoring and reporting.

### 1. Standalone System

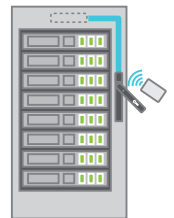
Combine the H3-EM with Southco's EA-P1 prox controller for simple standalone cabinet level access control without software or network integration



H3-EM Electronic Lock with Integrated Prox



EA-P1 Prox Reader

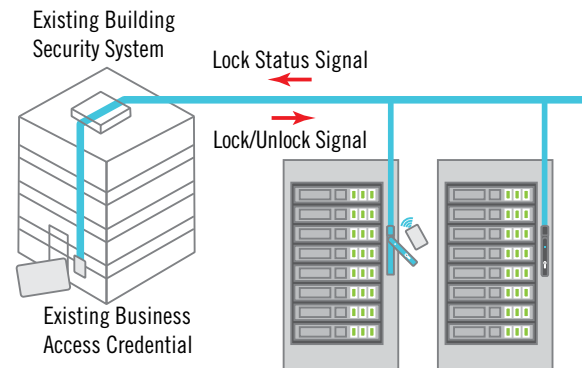


### 2. Integrate with Building Security

Connect the H3-EM serial output with an existing building security system to control and monitor access from the building entry down to the cabinet level



H3-EM Electronic Lock with Integrated Prox



### 3. Independent Fully Networked Access Control System

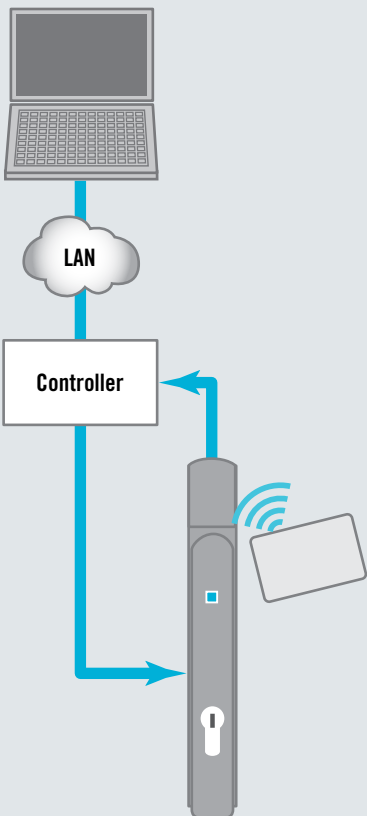
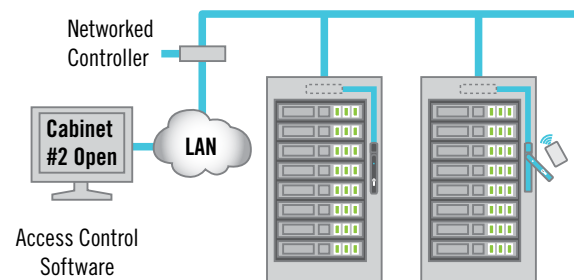
H3-EM can be supplied as part of a fully networked, IP based cabinet access control system. Contact Southco for details



H3-EM Electronic Lock with Integrated Prox



Networked Access Control System



HID is a registered trademark of HID Global.

Other options available. For complete details on variety, part numbers, installation and specification, go to



[www.southco.com/H3EM](http://www.southco.com/H3EM)

Dimensions in millimeters (inch) unless otherwise stated

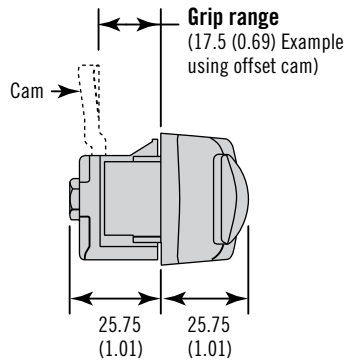
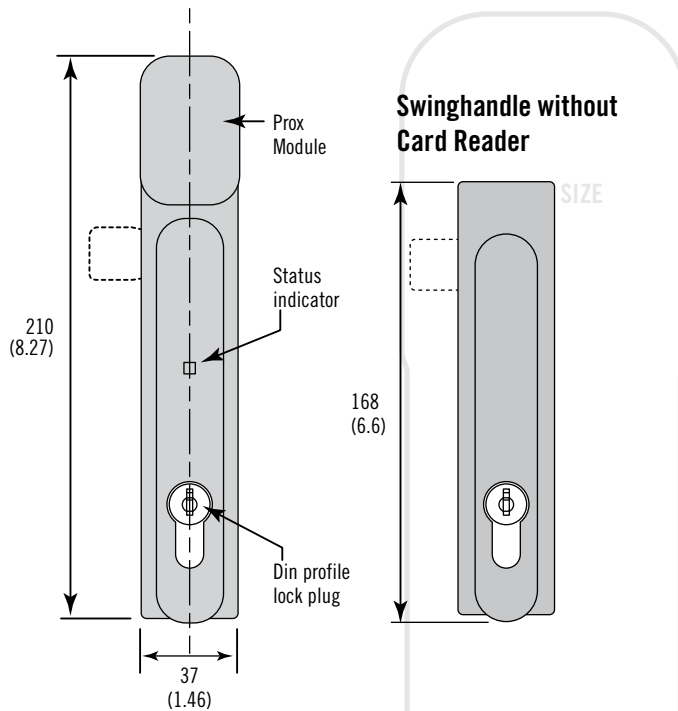
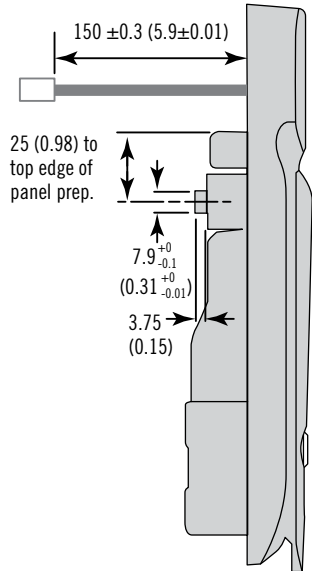
**southco**  
CONNECT · CREATE · INNOVATE

# H3-EM Electronic Swinghandle

## With Integrated RFID Access Control



### Swinghandle with Card Reader



Cam Part Number (Order separately)		
Grip	Cam length (1)	Cam length (2)
15.5 (.61)	E5-6710	-
17.5 (.69)	E5-6711	-
19.5 (.77)	E5-6712	E5-6112
21.5 (.85)	E5-6713	E5-6113
23.5 (.93)	E5-6714	E5-6114

Other additional offsets:

- (1) See Southco Drawings J-E5-67-A & J-E5-67-B
- (2) See Southco Drawings J-E5-61-A & J-E5-61-B

### Electronic Swinghandle Part Number Selection

**H3-EM - 6 R - L 00 - 10**

**R** Prox Reader type

- 0 Without Card Reader
- 8 Wiegand Output Reader
- 9 RS-232 Output Reader

**L** Lock style

- 1 High Security DIN Lock
- 2 Key Code CH-751
- 3 Key code RS001
- \*Multiple RS Key Codes Available



### Proximity Card Part Number

EA-C2-021-9 Proximity Card  
 EA-C2-021 Proximity Card (No Logo)  
 Contact Southco for Custom Color Logo Options.

### Material & Finish

Glass Filled Nylon, PC/ABS (UL94-V0)

Shaft, rotation limiter: Die-cast zinc, bright sealer

### Electronic Swinghandle

Recommended operating voltage: 12VDC to 24VDC

Typical operating current: Less than 200mA at 12VDC

Peak / stall operating current: 1 Amp  
 Standby current: 50mA Max  
 Output signal rating: 200mA Max load

### Proximity Reader Module

Supply voltage: 12VDC to 24VDC  
 Operating current: 20mA Max  
 Transmit frequency: 125kHz FSK  
 DATA Signal voltage: 5VDC  
 DATA Pulse interval time: 40µs  
 DATA Signal Delay: 2ms

### To Order:

- 1 Select required Electronic Swinghandle part number using selection guide.
- 2 Select cam part number using cam part number table.
- 3 For multi-point applications, select optional gear box / rod adaptors or actuator plate.
- 4 Select optional wire harness.
- 5 Order proximity cards as needed.

For standalone systems order Southco EA-P1-010-9 proximity controller.

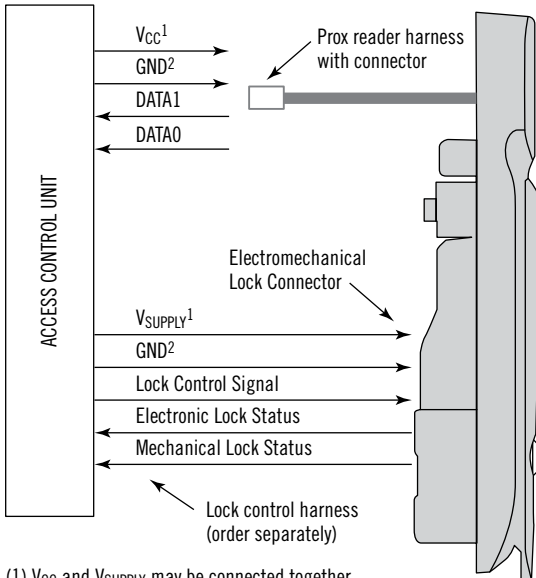
Contact Southco for details on ordering networked systems.



# H3-EM Electronic Swinghandle

## With Integrated RFID Access Control

### Pin Assignments

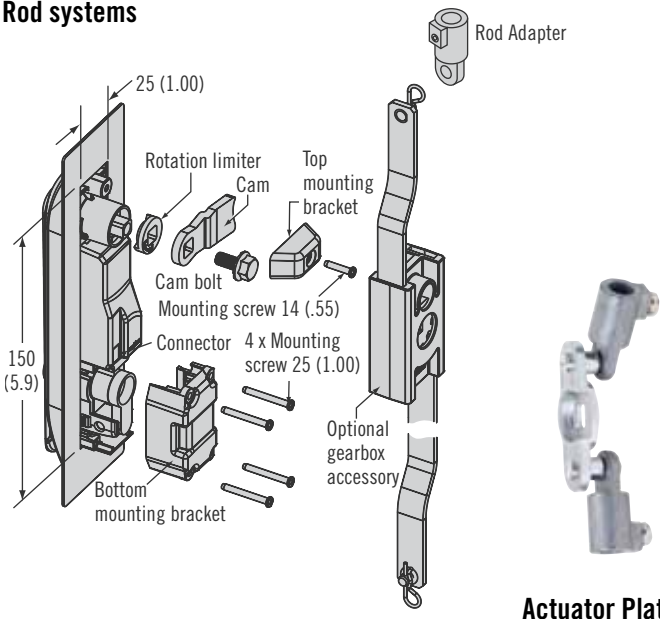


- (1) Vcc and Vsupply may be connected together
- (2) EML and Prox reader must use a common GND

### Wire Harness



### Rod systems

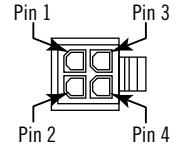


**Actuator Plate**

### Connector Pin Assignment

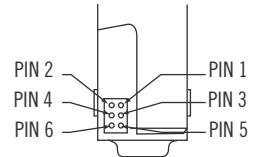
Proximity Reader Module (Molex Micro Fit 3.0 Series)

- PIN 1: Ground (Black wire)
- PIN 2: Power (VCC) (Red wire)
- PIN 3: DATA0 output (Green wire)
- PIN 4: DATA1 output (White wire)



Electronic Swinghandle (Hirose DF11 Series)

- PIN 1: Ground
- PIN 2: Power (Vsupply)
- PIN 3: Not Used
- PIN 4: Control signal
- PIN 5: Electronic lock status output
- PIN 6: Mechanical lock status output



Wire Harnesses (order separately)		
Part Number	Length	Description
EA-W01-100*	1000 (39.4)	From Swinghandle to Stripped and Tinned End
EA-W23-503*	5000 (196.9)	From Proximity Module to Stripped and Tinned End
EA-W23-503-83*	5000 (196.9)	From Proximity Module to EA-P1-01X (Pin/Prox Controller)

\*Contact Southco for other lengths

### For Rod systems:

Part Number (order separately) *	
H3-61-55-33	Left Hand Gearbox (CCW to open)
H3-61-56-33	Right Hand Gearbox (CW to open)
A5-92-201-31	Rod Adaptor
A5-90-101-11	Actuator Plate

\* For multi-point systems, select either the right or left hand gear box part number and rod adaptor (2 per door) part numbers or the actuator plate part number from table, then visit [www.southco.com/A5](http://www.southco.com/A5) for rod selection.

Dimensions in millimeters (inch) unless otherwise stated



**Global Corporate Headquarters and Americas Customer Service & Technical Support Center**  
 Tel: (1) 610-459-4000 · Fax: (1) 610-459-4012 · [www.southco.com](http://www.southco.com) · [info@southco.com](mailto:info@southco.com)

[www.southco.com/H3EM](http://www.southco.com/H3EM)

© Southco H3-EM PROX NA 06-12