

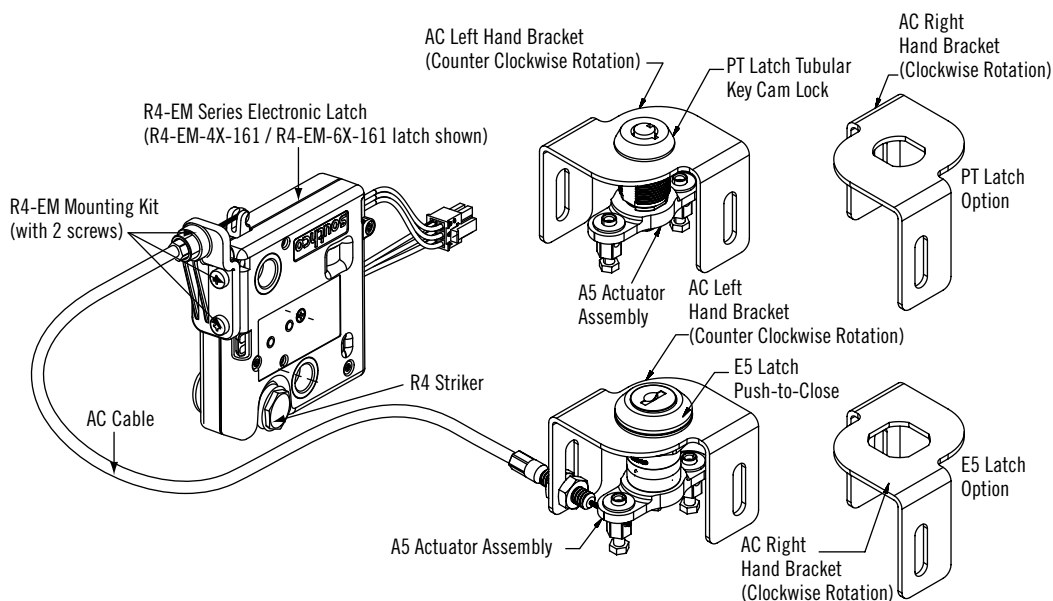
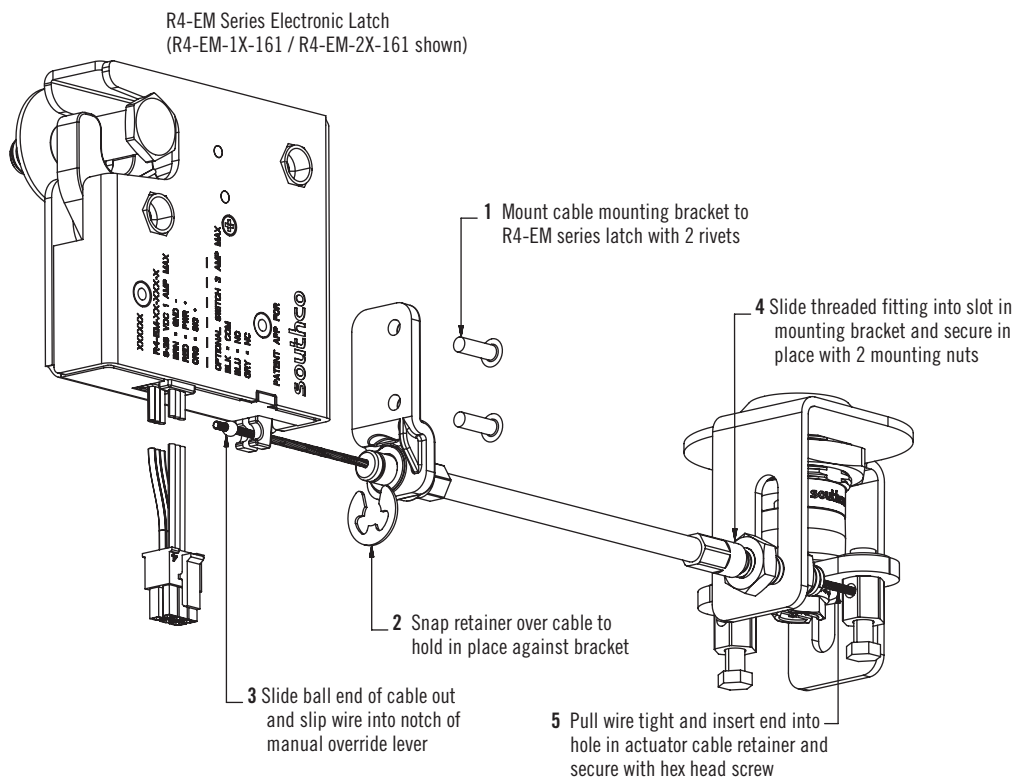


R4-EM Mechanical Override System

- Adapts to any standard Southco R4-EM Electronic Rotary Latch
- Choose from flat key or tubular key cam latch for remote key lock
- Simple installation with multiple adjustments and customized cable lengths to suit any application.
- Accommodates clockwise or counter clockwise key rotation for latch release

Southco now offers a standard solution for remote mechanical actuation of the R4-EM Electronic Rotary Latch. The cable based solution provides a simple means of mechanically releasing the electronic lock in the event of electrical power loss providing fully redundant access.

Installation



Other options available. For complete details on variety, part numbers, installation and specification, go to



www.southco.com/R4-EMR

Dimensions in millimeters (inch) unless otherwise stated

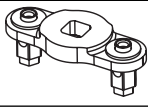
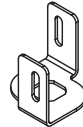

southco
CONNECT · CREATE · INNOVATE

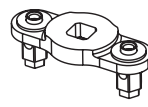
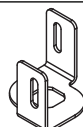

AC Cable Assembly



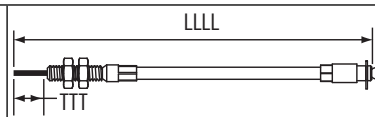
How to Order

Step 1 Select mechanical override lock and corresponding AC actuator assembly and AC cable bracket

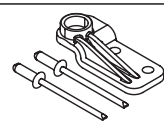
	Description	Part Number	
E5 Latch Push-to-Close assembly See drawing J-E5-53-A	A5 Actuator	A5-99-136	
	AND		
	AC Cable Bracket (Clockwise Rotation)	AC-0-49617-11-R	
	OR		
	AC Cable Bracket (Counter Clockwise Rotation)	AC-0-49617-11-L	

	Description	Part Number	
PT Latch Tubular Key cam Lock See drawing J-PT-1	A5 Actuator	A5-99-157	
	AND		
	AC Cable Bracket (Clockwise Rotation)	AC-0-49618-11-R	
	OR		
	AC Cable Bracket (Counter Clockwise Rotation)	AC-0-49618-11-L	

Step 2 Determine mechanical cable length required

Mechanical Cable See drawing J-AC-C	AC-C0H0-4-LLLL- TTT	LLLL - Length from behind ball end to end of cable TTT - Raw cable extension portion of LLLL length	
--	------------------------	--	--

Step 3 Order mechanical over ride bracket (one per R4-EM latch)

Mechanical Override Bracket for R4-EM-1X and R4-EM-2X versions See drawing J-R4-EM-52	R4-EM-52	
Mechanical Override Bracket for R4-EM-4X and R4-EM-6X versions. See drawing J-R4-EM-72	R4-EM-72	