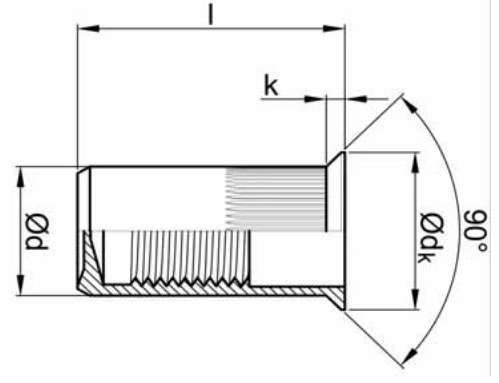

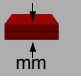
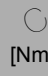


SOMUNLU PERÇİN SIZDIRMAZ YUVARLAK GÖVDE HAVŞA KAFA

RIVET NUTS CLOSED INOX COUNTERSUNK HEAD



| |  | | l [+1/-2] [mm] |  | Ø dk [+/-0,5] [mm] | k [mm] | d [+0/0,12] [mm] |  | ÜRÜN NO PART NO |
|----|---|---|----------------------|---|--------------------------|-----------|------------------------|--|---------------------|
| M4 | Ø 6,0 | $\begin{matrix} \updownarrow [N] : 7.860 \\ \rightleftarrows [N] : 2.210 \end{matrix}$ | 17,5 | 2,0 - 3,5 | 9,0 [+0,3/-0,7] | ≤ 1,7 | 5,9 | 4,0 | 02.21233.M041752035 |
| M5 | Ø 7,0 | $\begin{matrix} \updownarrow [N] : 10.780 \\ \rightleftarrows [N] : 2.320 \end{matrix}$ | 20,5 | 2,0 - 4,0 | 10,0 [+0,3/-0,7] | ≤ 1,7 | 6,9 | 5,0 | 02.21233.M052052040 |
| M6 | Ø 9,0 | $\begin{matrix} \updownarrow [N] : 16.660 \\ \rightleftarrows [N] : 3.660 \end{matrix}$ | 23,5 | 2,0 - 4,5 | 12,0 [+0,3/-0,7] | ≤ 1,7 | 8,9 | 16,0 | 02.21233.M062352045 |
| M8 | Ø 11,0 | $\begin{matrix} \updownarrow [N] : 30.840 \\ \rightleftarrows [N] : 4.720 \end{matrix}$ | 28,0 | 2,0 - 4,5 | 14,0 [+0,3/-0,7] | ≤ 1,7 | 10,9 | 18,0 | 02.21233.M082802045 |

