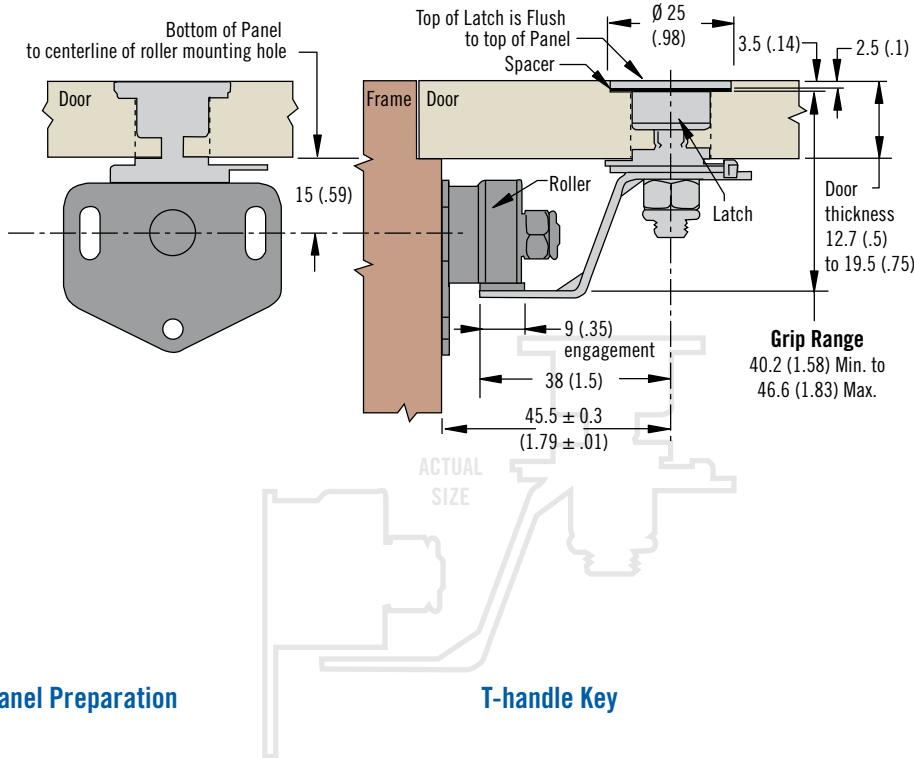


ACCESS HARDWARE

E5 T-Roller Cam Latch · Flush · Key Turn

Assembly



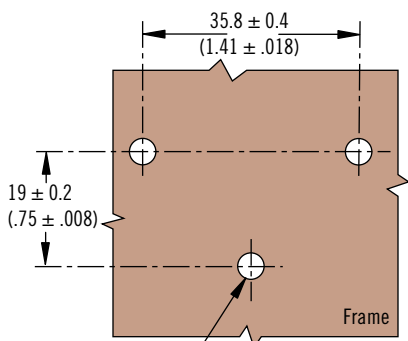
- Removable handle design helps control access
- Flush exterior suitable for floor latch applications
- Premium finish and corrosion resistance

Material and Finish

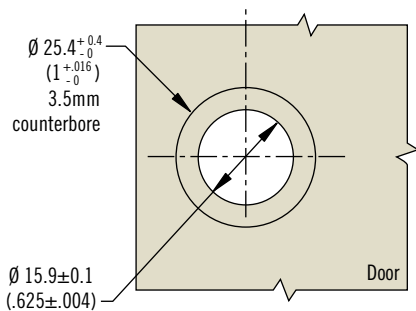
Latch and Roller

Shaft body: 316 grade stainless steel polished
 Keeper roller and Spacer: Nylon black
 Cam, Mounting plate, Guide ring: 304 Stainless steel polished
 Screw, Roller support and Nuts: 304 Stainless steel passivated

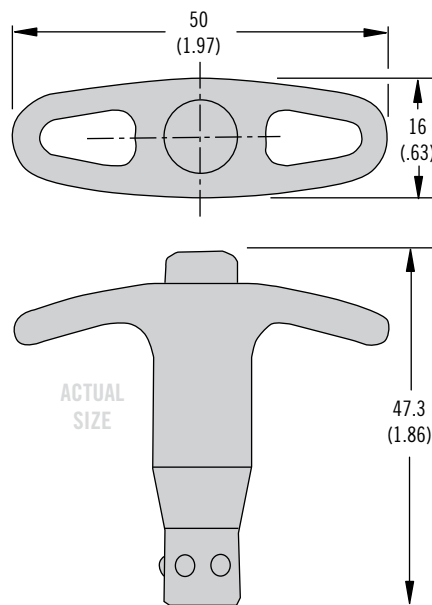
Panel Preparation



Drill size to accommodate hardware used
 Screws not supplied, recommended M4 or No. 8



T-handle Key



T-handle Key

T-handle housing: 304 Stainless steel electropolished
 Spring, Weld cover and Bearing: 304 Stainless steel

Part Number

Latch assembly: E5-70-1627-701
 T-handle Key: E3-13-4

Performance Details

Max. static load: 160 N (36 lbs)
 T-handle pull-out force: 2200 N (495 lbs)

Operation

Push T-handle button and insert into housing.
 Release button and slightly rotate the T-handle until it is secured into housing.

