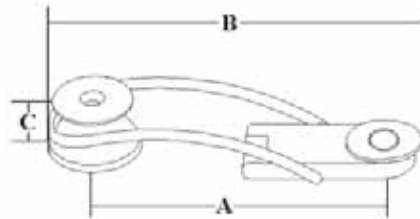
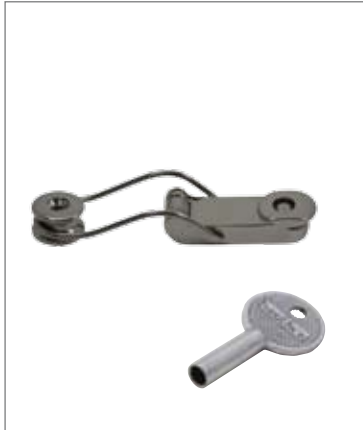


## ACCESS HARDWARE

### M5 Draw Latch · Stainless steel

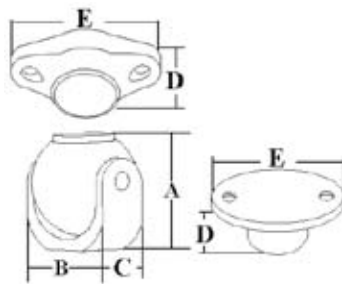


#### DRAW LATCH

- 316 stainless steel
- Available with or without locking
- Locking version replacement key number M7-88-9121324-S

Part No	Model	A mm	B mm	C mm
M7-63-9121590	W/O Lock	75 (3")	94 (3 3/4")	13 (1/2")
M7-63-9121592	W/ Lock	75 (3")	94 (3 3/4")	13 (1/2")

### M5 Magnets · Stainless steel



#### MAGNETIC DOOR & WINDOW HOLDER - STAINLESS STEEL

- 316 stainless steel
- Holder can be adjusted to any desired angle
- Magnet shrouded in stainless steel to withstand the marine environment
- Available with various holding powers

Part No	Mag. Size		A mm	B mm	C mm	D mm	E mm	Holding Power
	Ball	Strike						
M5-70-051-8	20x15	Proud 20x10	34 (1 5/16")	34 (1 5/16")	19 (3/4")	15 (19/32")	46 (1 13/16")	3.5Kgs
M5-70-052-8	20x15	Proud 30x15	34 (1 5/16")	34 (1 5/16")	19 (3/4")	19 (3/4")	70 (2 3/4")	5.4Kgs
M5-70-054-8	20x15	Flush 30x15	34 (1 5/16")	34 (1 5/16")	19 (3/4")	19 (3/4")	57 (2 1/8")	5.4Kgs
M5-70-072-8	30x15	Proud 30x15	48 (1 29/32")	48 (1 29/32")	27 (1 3/32")	19 (3/4")	70 (2 3/4")	10.6Kgs
M5-70-053-8	20x15	Flush 20x10	34 (1 5/16")	34 (1 5/16")	19 (3/4")	13 (9/16)	57 (2 3/16)	3.8Kgs

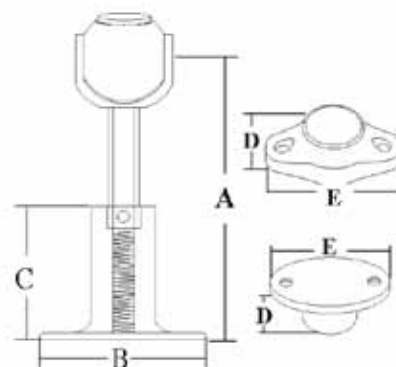


## ACCESS HARDWARE

### M5 Magnets - Stainless steel

#### MAGNETIC DOOR HOLDER - ADJUSTABLE

- 316 stainless steel
- Holder can be adjusted to any desired angle
- Magnets shrouded in stainless steel to withstand the marine environment
- Available with various holding powers

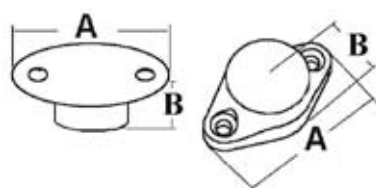


B

Part No	Mag. Size		A-Max	A-Min	B mm	C mm	D mm	E mm	Holding Power
	Ball	Strike							
M5-72-081-8	20x20	Proud 20x10	89 (3 1/2")	60 (2 1/2")	51 (2")	39 (1 9/16")	15 (9/16")	46 (1 7/8")	4Kgs
M5-72-082-8	20x20	Proud 30x15	89 (3 1/2")	60 (2 1/2")	51 (2")	39 (1 9/16")	19 (3/4")	70 (2 7/8")	5.5Kgs
M5-72-072-8	30x15	Proud 30x15	95 (3 5/8")	63 (2 3/8")	51 (2")	39 (1 9/16")	19 (3/4")	70 (2 7/8")	10.6Kgs
M5-72-084-8	20x20	Flush 30x15	101 (3 3/4")	75 (2 3/4")	51 (2")	39 (1 9/16")	19 (3/4")	57 (2 3/16")	4.5Kgs
M5-72-083-8	20x20	Flush 20x10	101 (3 3/4")	75 (2 3/4")	51 (2")	39 (1 9/16")	13 (9/16")	57 (2 3/16")	4.2Kgs

#### MAGNETIC DOOR HOLDER - STAINLESS STEEL

- 316 stainless steel
- Magnets shrouded in stainless steel to withstand the marine environment
- Suitable for cabinets, transom doors and smaller doors
- Available with various holding powers
- Versions with rubber bumpers to minimise noise

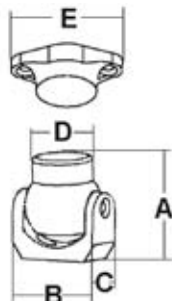


Part No	Mag. Size	A mm	B mm	Holding Power	Version with rubber bumper
M5-70-014-8	Proud 20x10 Flush 30x15	46-57 (1 7/8" - 2 3/16")	15-19 (9/16" - 3/4")	3.8Kgs	-
M5-70-013-8	Proud 20x10 Flush 20x10	46-57 (1 7/8" - 2 3/16")	15-13 (9/16" - 9/16")	3.5Kgs	-
M5-70-012-8	Proud 20x10 Proud 30x15	46-70 (1 7/8" - 2 7/8")	15-19 (9/16" - 3/4")	3.2Kgs	-
M5-70-022-8	Proud 30x15 Proud 30x15	70 (2 7/8")	19 (3/4")	10.7Kgs	-
M5-70-033-8	Flush 20x10 Flush 20x10	57 (2 3/16")	13 (9/16")	3.8Kgs	M5-70-333-8
M5-70-044-8	Flush 30x15 Flush 30x15	57 (2 3/16")	19 (3/4")	10.7Kgs	M5-70-344-8
M5-70-034-8	Flush 20x10 Flush 30x15	57 (2 3/16")	13-19 (9/16" - 3/4")	4.4Kgs	-
M5-70-099-8	Flush 30x7 Flush 30x7	57 (2 3/16")	13-19 (9/16" - 3/4")	3.5Kgs	-



# ACCESS HARDWARE

## M5 Magnets · Stainless steel

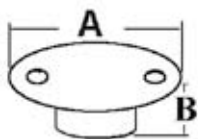


### MAGNETIC DOOR & WINDOW HOLDER - NYLON

- Nylon
- Holder can be adjusted to any desired angle
- Encapsulated magnets for marine applications

B

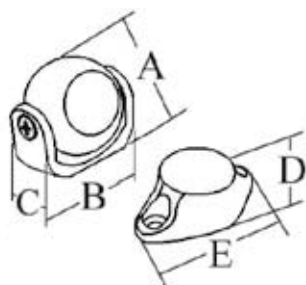
Part No	Color	Mag. Size		A mm	B mm	C mm	D mm	E mm	Holding Power
		Ball	Proud						
M5-70-156-2	Black	20x15	20x15	42 (1 5/8")	39 (17/32")	18 (11/16")	25 (1")	48 (1 57/64")	3.8Kgs
M5-70-256-2	White	20x15	20x15	42 (1 5/8")	39 (17/32")	18 (11/16")	25 (1")	48 (1 57/64")	3.8Kgs



### MAGNETIC DOOR HOLDER - NYLON

- Nylon
- Encapsulated magnets for marine applications
- Suitable for cabinets, transom doors and smaller doors
- Available with various holding power

Part No	Color	Mag. Size	A mm	B mm	Holding Power
M5-70-233-2	White	Flush 20x10 Flush 20x10	62 (2 3/8")	10 (13/32")	2.5Kgs
M5-70-244-2	White	Flush 30x15 Flush 30x15	62 (2 3/8")	15 (9/16")	9Kgs



### MAGNETIC DOOR & WINDOW HOLDER - SHIELDED

- 316 stainless steel
- Encapsulated magnets for marine use
- Rubber bumper minimizes noise
- Steel encapsulated in Stainless steel on strike
- Will not affect compass function

Part No	Ball	All steel strike	A mm	B mm	C mm	D mm	E mm	Holding Power
M5-99-122	Mag. 20x15	Proud 30x15	34 (1 5/8")	34 (1 5/8")	19 (3/4")	19 (3/4")	70 (2 7/8")	1.66Kgs

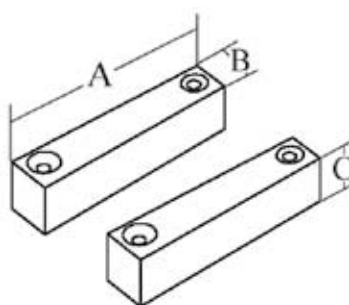


# ACCESS HARDWARE

## M5 Magnets - Stainless steel

### MAGNETIC HATCH LATCH

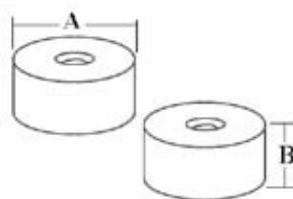
- Nylon
- Magnetic nylon blocks with easy installation
- Available in black or white



Part No	Mag. Size	A mm	B mm	C mm	Holding Power
M5-76-100-4	40x10x10	67(2-5/8")	14(5/8")	16(5/8")	3Kgs
M5-76-200-4	40x10x10	67(2-5/8")	14(5/8")	16(5/8")	3Kgs

### CENTER MOUNT MAGNETIC DOOR LATCH

- Nylon
- Nylon coated magnet with center fastener
- Fasteners not included



Part No	Color	Mag. Size	A mm	B mm	Holding Power
M5-71-120-2	Black	30x15 / 30x15	37(1 1/2")	20(3/4")	9Kgs
M5-71-220-2	White	30x15 / 30x15	37(1 1/2")	20(3/4")	9Kgs
M5-71-12W-2	Black	30x15 / 30x10	37(1 1/2")	20(3/4") 15(5/8")	5Kgs
M5-71-22W-2	White	30x15 / 30x10	37(1 1/2")	20(3/4") 15(5/8")	5Kgs
M5-71-2WW-2	Black	30x15 / 30x10	37(1 1/2")	15(5/8")	3.8Kgs

