



PT Tubular Key Cam Locks

Fixed core

- 7-pin tumbler lock security
- Keyed alike, keyed differently or custom key code options
- Cams sold separately

Material and Finish

Zinc alloy, chrome plated

Performance Details

Average ultimate load on cam:
645 N (145 lbf)

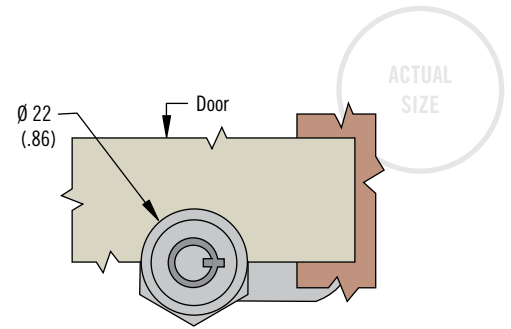
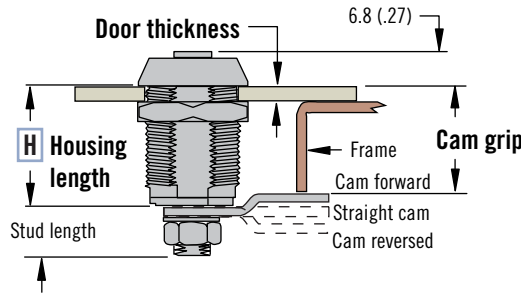
Installation Notes

See page 195

Accessories

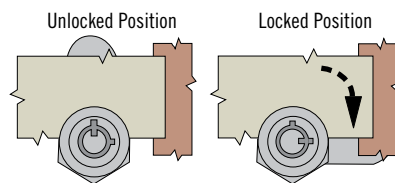
See page 193

Non-Sealed Pin Tumbler

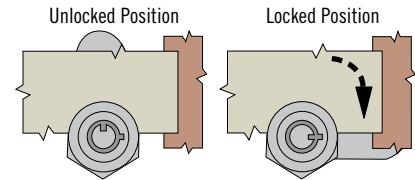


B - Key Removable in Locked / Unlocked Positions **L - Key Removable in Locked Positions Only**

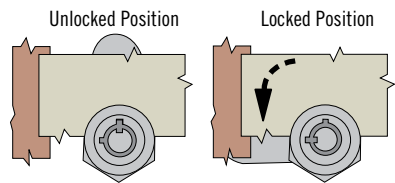
R 01 (Clockwise)



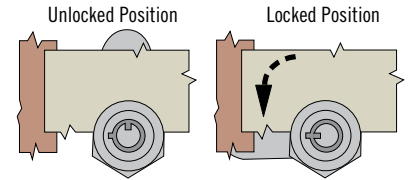
R 01 (Clockwise)



R 09 (Counter-Clockwise)



R 09 (Counter-Clockwise)



Part Number Selection

Lock part number (no cam)

Order lock and cam separately

Cam page 195

To select cam part number see grip table page 195

R Rotation

01 Clockwise

09 Counter-clockwise

K Key removal

B Locked / unlocked removal

L Locked removal only

PT - 1 - H C1 R - 20 K - KC

H Housing Length Number	Housing Length	Stud Length	Max. Door Thickness
1	12.7 (.50)	8.9 (.35)	5.1 (.20)
2	17.5 (.69)	9.5 (.37)	10.9 (.43)
3	23.8 (.94)	9.5 (.37)	15.9 (.63)
4	30.5 (1.20)	9.5 (.37)	22.9 (.90)
5	36.5 (1.44)	9.5 (.37)	28.9 (1.14)

KC Key Code

KA Keyed alike T0001 (2 keys supplied)

KD Keyed differently
50 key codes (T0001 to T0050)
provided in a non-master key system
(2 keys supplied)

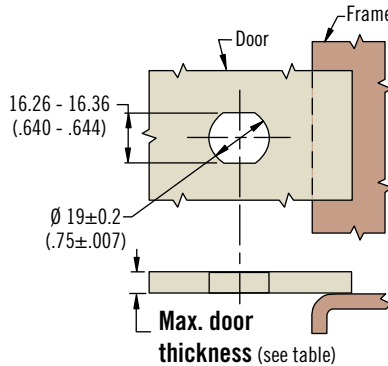
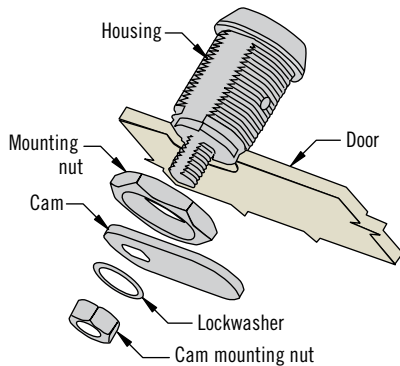


www.southco.com/PT

Dimensions in millimeters (inch) unless otherwise stated

PT Tubular Key Cam Locks

Cams & installation



Installation Notes

1. Install mounting nut and tighten to 5 N•m (44 in•lbf) Max.
2. Install cam to assembly. Properly orient for rotation and grip.
3. Install lockwasher and cam mounting nut. Tighten to 2 N•m (18 in•lbf).

Material and Finish

Steel plated

1. In the **TAN** section, locate the cam grip calculated for your application. If your grip falls between two values, use the higher value.

Notes: For cam grips that can be achieved with multiple housing lengths, use the value that results in the shortest housing possible based on the Max. door thickness allowed.

2. From this value, move right horizontally into the **Gray** section and verify your door thickness falls within the Max. door thickness listed. Once this is verified, the housing length is selected and is illustrated by the housing length number.

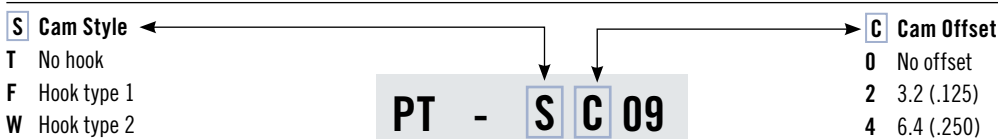
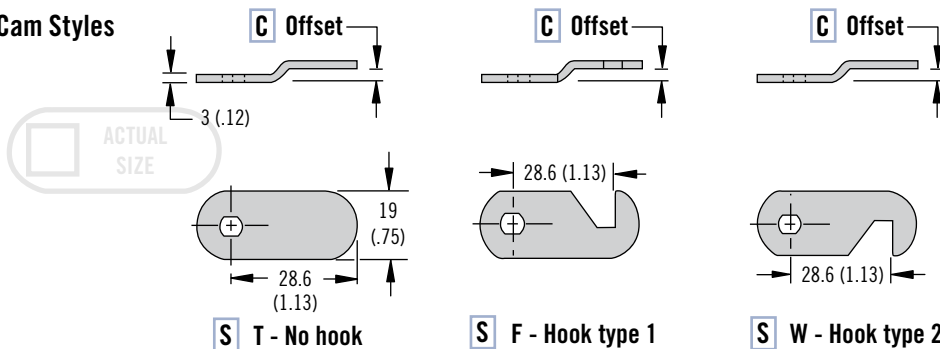
3. Returning to your original grip value in the **TAN** section, move down vertically into the **GREEN** section. The **GREEN** section illustrates the cams that are appropriate for your grip.

4. By determining the required cam orientation and style in the **BLUE** section, the appropriate cam for your application is selected.

Cam Grip					Max. Door Thickness	Housing Length Number
19.0 (.75)	15.9 (.625)	12.7 (.500)	9.5 (.375)	6.4 (.250)		
23.8 (.938)	20.7 (.814)	17.5 (.689)	14.3 (.564)	11.2 (.439)	10.9 (.43)	2
30.1 (1.187)	27 (1.062)	23.8 (.938)	20.6 (.812)	17.5 (.689)	15.9 (.63)	3
36.8 (1.450)	33.7 (1.325)	30.5 (1.201)	27.3 (1.076)	24.2 (.951)	22.9 (.90)	4
42.8 (1.687)	39.7 (1.562)	36.5 (1.437)	33.3 (1.312)	30.2 (1.187)	28.9 (1.14)	5
Cam Part Number					Cam Orientation	
Cam Reversed		Straight	Cam Forward			
PT-T409	PT-T209	PT-T009	PT-T209	PT-T409	No Hook	
PT-W409	PT-W209	PT-F009	PT-F209	PT-F409	Left	
PT-F409	PT-F209	PT-W009	PT-W209	PT-W409	Right	

Also use the online configurator at www.southco.com

Cam Styles



Part Number Selection

Order lock and cam separately

Cam part number (no lock)

For Lock selection see page 194