



97 Draw Latch

Over-center · Small

- Compact latch
- Multiple keeper options for application variances

Material and Finish

Stainless steel or steel, zinc plated

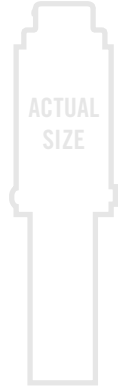
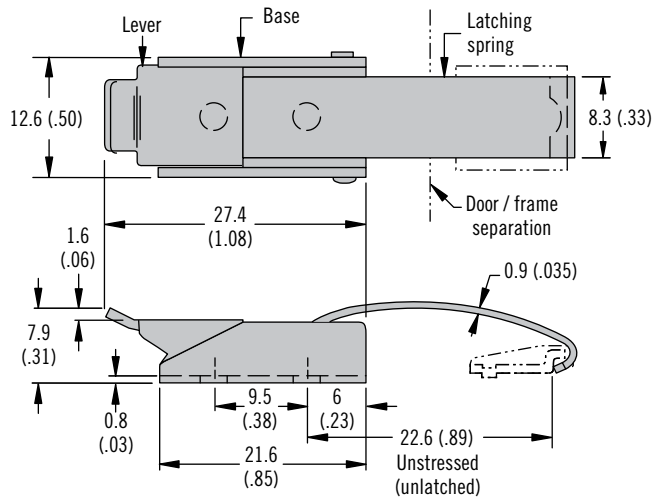
Performance Details

Clamping force: 135 N (30 lbf)

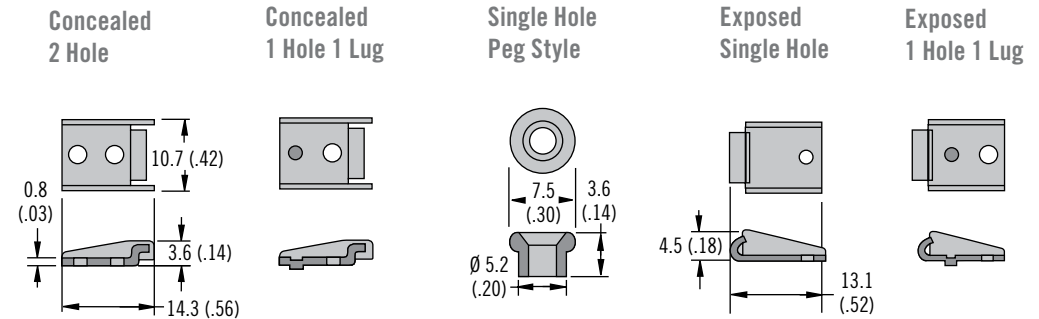
Installation Notes

Install assembly with M3 (No. 4) round head screws or 3 (.118) rivets (not supplied)

For peg style keeper use M3 (No. 4) flat head screws or rivets



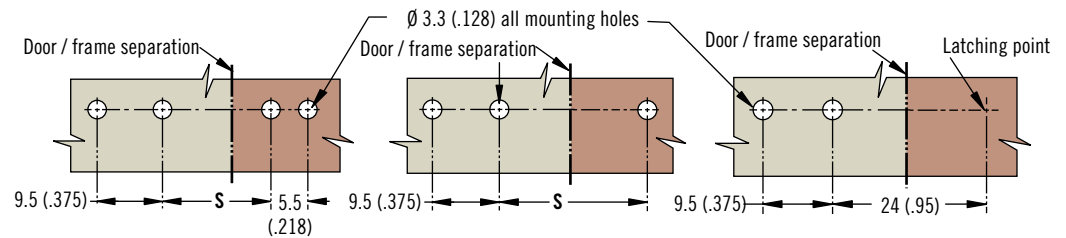
Keepers



Two Hole Keepers

Single Hole Keepers

Latch Only



Part Number

See table

Order latch and keeper separately

Material	Part Number					
	Latch	Keepers				
		Concealed 2 Hole	Concealed 1 Hole 1 Lug	Single Hole Peg Style	Exposed Single Hole	Exposed 1 Hole 1 Lug
Steel	97-30-160-11	97-37-103-11	97-37-101-11	97-37-105-11	97-37-104-11	97-37-102-11
Stainless Steel	97-30-160-12	97-37-103-24	97-37-101-24	97-37-105-24	97-37-104-24	97-37-102-24
S Dimension		14.7 (.58)	14.7 (.58)	21.8 (.86)	33 (1.30)	27.4 (1.08)

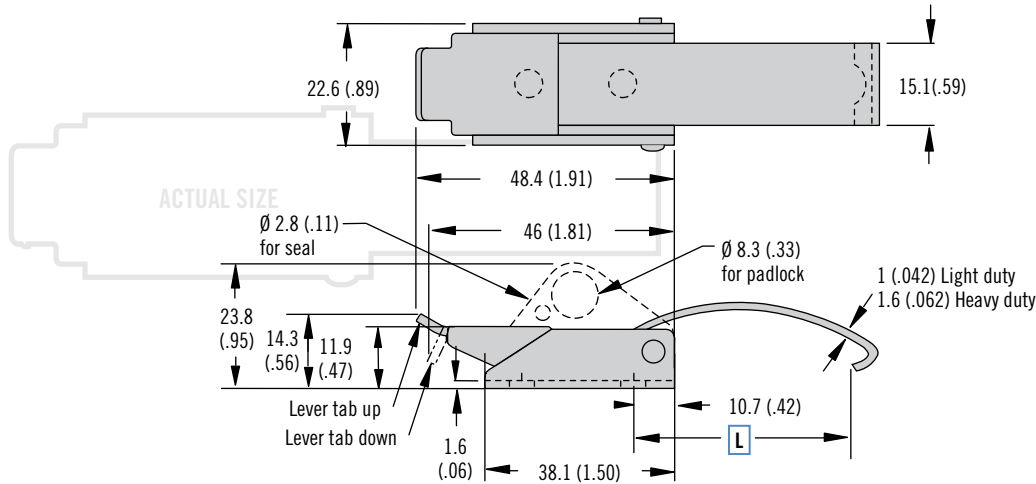
Dimensions in millimeters (inch) unless otherwise stated



www.southco.com/97

97 Draw Latch

Over-center · Medium



- Multiple link and keeper options for application variances
- Secondary locking style available

Material and Finish

Stainless steel, steel, zinc plated or steel, black powder coated

Performance Details

Heavy-duty:
Clamping force: 670 N (150 lbf)

Light-duty:
Clamping force: 310 N (70 lbf)

Installation Notes

Install assembly with M4 (No. 8) round head screws or 4 (.156) rivets (not supplied). Peg needs flat head.

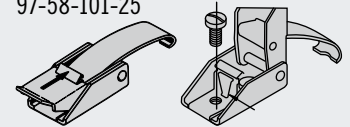
Accessories

Secondary catch provides resistance against severe vibration and accidental opening.

Part number steel: 97-58-101-11

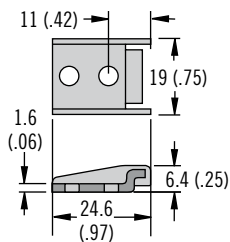
Part number stainless steel:

97-58-101-25

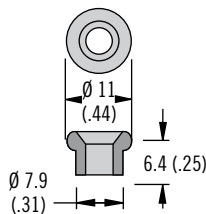


Keepers

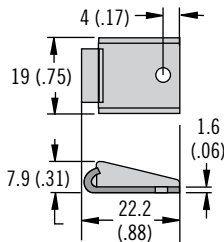
Concealed 2 Hole



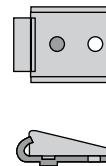
Single Hole Peg Style



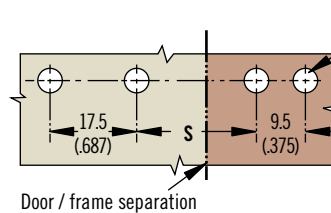
Exposed Single Hole



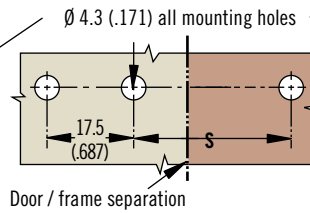
Exposed 1 Hole 1 Lug



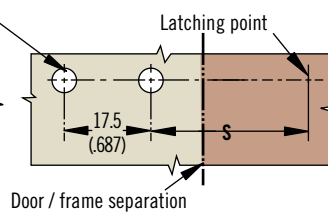
Two Hole Keepers



Single Hole Keepers



Latch Only



Part Number Selection

Order latch and keeper separately

For latch part number see builder

For keeper part number see table

S Style

- 1 Lever tab up
- 2 Lever tab down
- 3 Padlockable

L Link Length

- | | |
|-----------------------|-----------------------|
| 1 Short (light-duty) | 5 Short (heavy-duty) |
| 2 Medium (light-duty) | 6 Medium (heavy-duty) |
| 3 Long (light-duty) | 7 Long (heavy-duty) |

97 - 50 - **S** **L** 0 - 1 **M**

M Material

- 1 Steel, zinc plated
- 2 Stainless steel (light-duty only)
- 5 Steel, black powder coated

Keeper Style	Keeper Part Number		S Dimension		
	Steel	Stainless Steel	Short Link L = 29.4 (1.16)	Medium Link L = 42.1 (1.66)	Long Link L = 54.8 (2.16)
Concealed 2 hole	97-57-103-11	97-57-103-24	15.9 (.63)	28.6 (1.13)	41.3 (1.63)
Single hole peg style	97-57-105-11	97-57-105-24	29.4 (1.16)	42.1 (1.66)	54.8 (2.16)
Exposed single hole	97-57-104-11	97-57-104-24	47.6 (1.88)	60.3 (2.38)	73.0 (2.88)
Exposed 1 hole 1 lug	97-57-102-11	97-57-102-24	38.1 (1.50)	50.8 (2.00)	63.5 (2.50)
Latch only			31.8 (1.25)	44.5 (1.75)	57.1 (2.25)



97 Draw Latch

Over-center · Large

- Multiple keeper options for application variances

Material and Finish

Steel, zinc plated or steel powder coated black

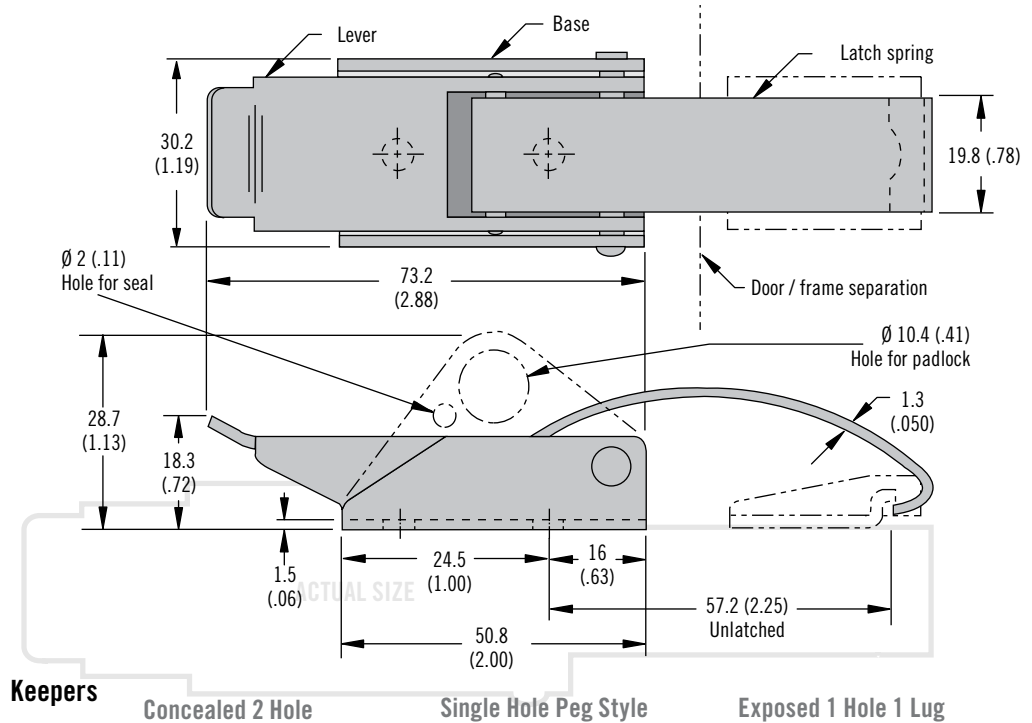
Performance Details

Clamping force: 290 N (65 lbf)

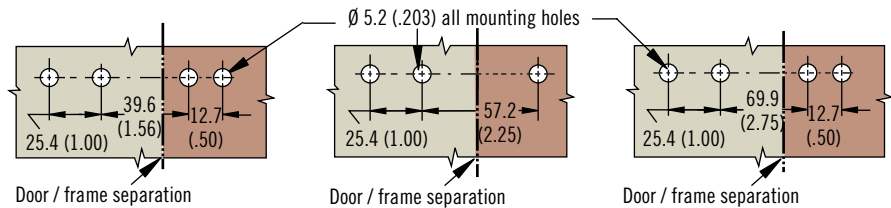
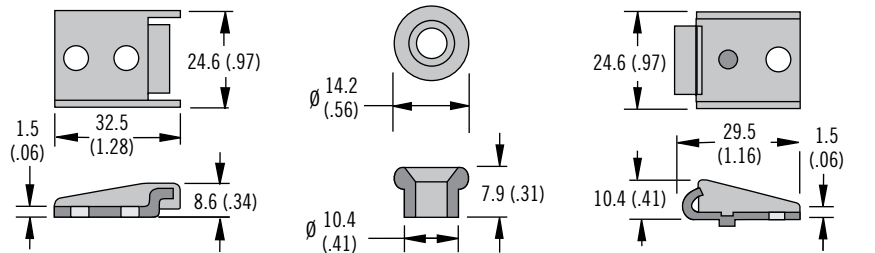
Installation Notes

Install assembly with M5 (No. 10) round head screws (not supplied) or 5 (3/16) rivets

For peg style keeper use M5 (No. 10) flat head screws or rivets



Keepers Concealed 2 Hole Single Hole Peg Style Exposed 1 Hole 1 Lug



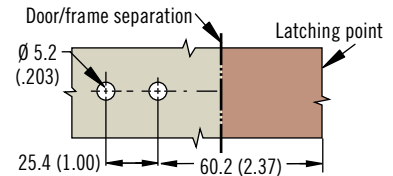
Part Number

See table

Order latch and keeper separately

Material	Latch Part Number	
	Lever Tab Up	Padlockable
Steel, Zinc Plated	97-60-120-11	97-60-320-11
Steel, Black Powder Coated	97-60-120-15	97-60-320-15

Latch Only



Material	Keeper Part Number		
	Concealed 2 Hole	Single Hole Peg Style	Exposed 1 Hole 1 Lug
Steel, Zinc Plated	97-67-103-11	97-67-105-11	97-67-104-11
Steel, Black Powder Coated	97-67-103-15	97-67-105-15	97-67-104-15

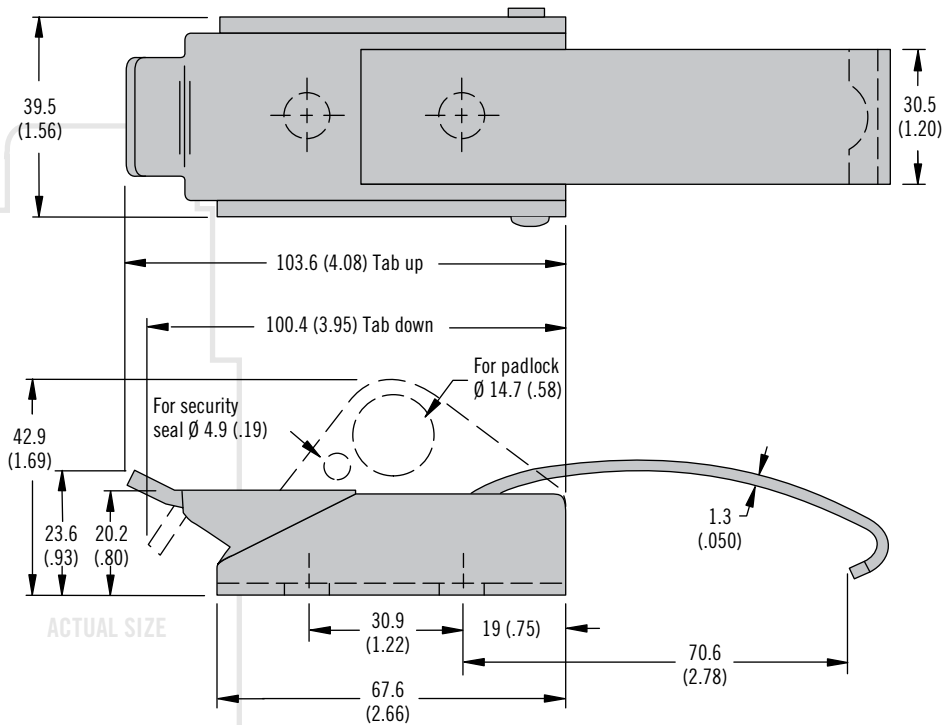
Dimensions in millimeters (inch) unless otherwise stated



www.southco.com/97

97 Draw Latch

Over-center · Extra large



- Multiple keeper options for application variances

Material and Finish

Steel, zinc plated

Performance Details

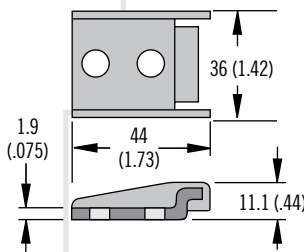
Clamping force: 645 N (145 lbf)

Installation Notes

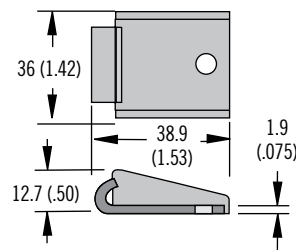
Install assembly with M6 (1/4) round head screws (not supplied) or 6 (1/4) rivets

Keepers

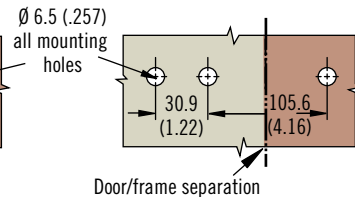
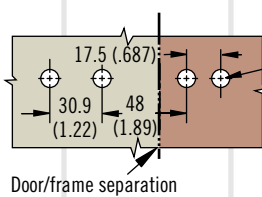
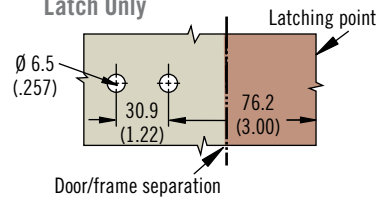
Concealed 2 Hole



Exposed Single Hole



Latch Only



Material	Latch Part Number		
	Lever Tab Up	Lever Tab Down	Padlockable
Steel	97-70-120-11	97-70-220-11	97-70-320-11

Material	Keeper Part Number	
	Concealed 2 Hole	Exposed Single Hole
Steel	97-77-103-11	97-77-104-11

Part Number

See table
Order latch and keeper separately