



R3 Push-to-Close Latch

Pull-to-open · Paddle handle · Baggage door latch

- Environmentally sealed
- Emergency release
- For use with R4 rotary latches

Material and Finish

Latch assembly: Zinc alloy, black or white powder coated or chrome plated

Slide bolt: Zinc alloy, zinc plated

Striker mounting plates and brackets: Steel, zinc plated

Performance Details

Max. working load: 560 N (125 lbf)

Installation Notes

Max. tightening torque on mounting screws: 2 N·m (14 in·lbf)

Notes

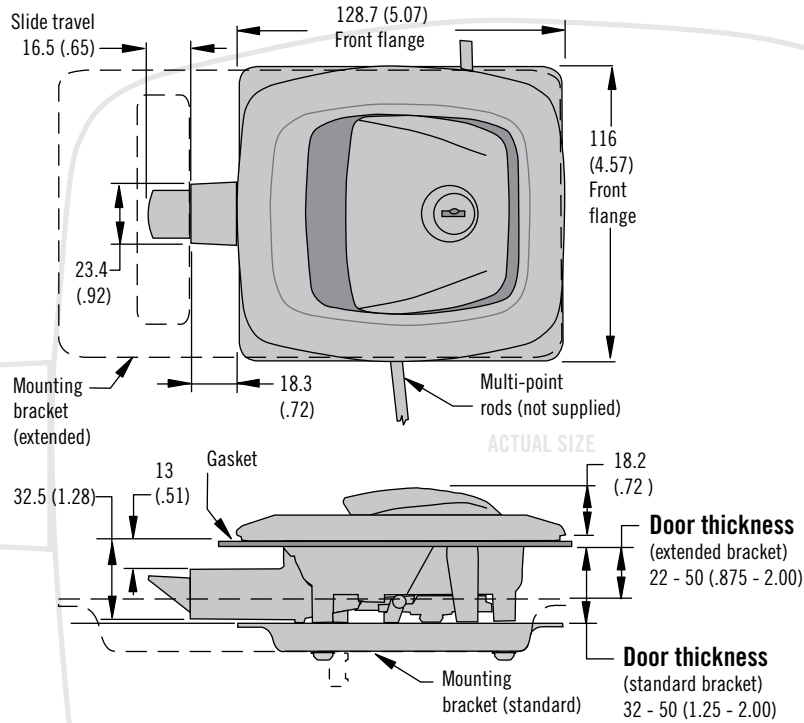
*For lock core selection and a complete overview of the *SOUTHCO*® Key-Choice System see pages 182 -183

Part Number

Order latch, bracket and mounting screws separately.

For latch see table

For bracket and mounting screws see page 167

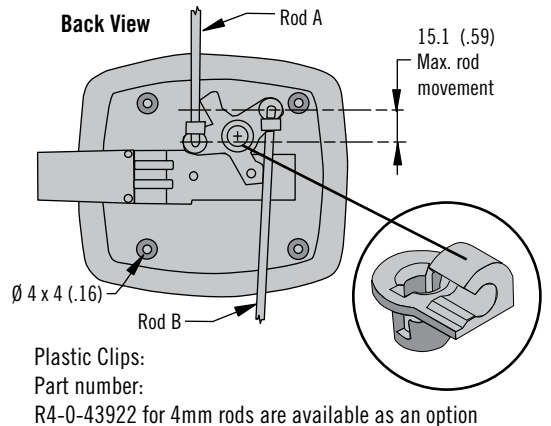
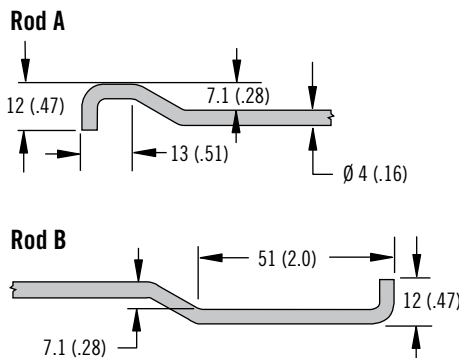


Multi-Point Capable

For applicable rotary latches see page 121

Actuating rods are not supplied
Recommended rod configuration shown below

Latch shown in actuated (unlatched) position (slide retracted)



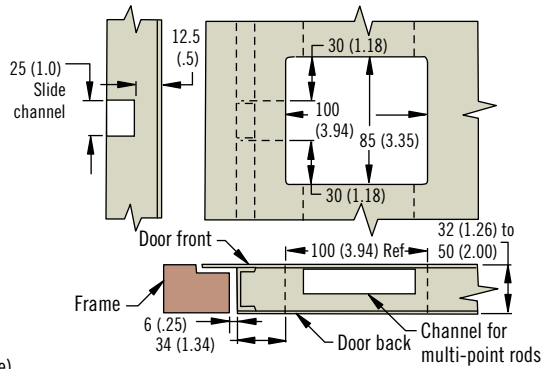
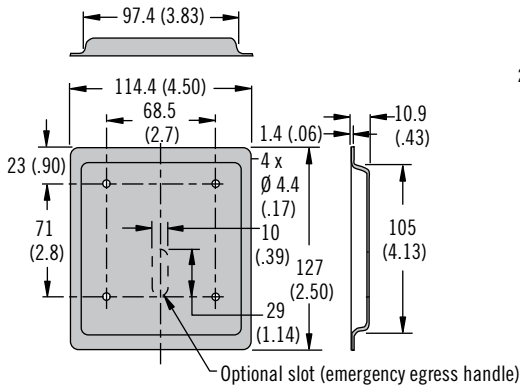
Latch Finish	Part Number			
	Locking (CH751) (2 Keys Included)	Locking (Reversible Key) R001 (2 Keys Included)	Locking (No Core)*	Non-Locking
Chrome, polished	R3-20-350-10	R3-20-320-10	R3-20-390-10	R3-20-300-10
Black powder coated	R3-20-350-50	R3-20-320-50	R3-20-390-50	R3-20-300-50
White powder coated	R3-20-350-70	R3-20-320-70	R3-20-390-70	R3-20-300-70

Dimensions in millimeters (inch) unless otherwise stated

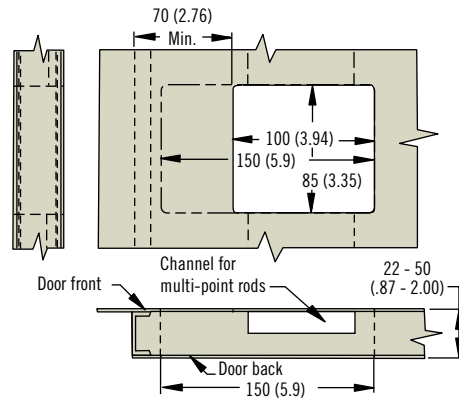
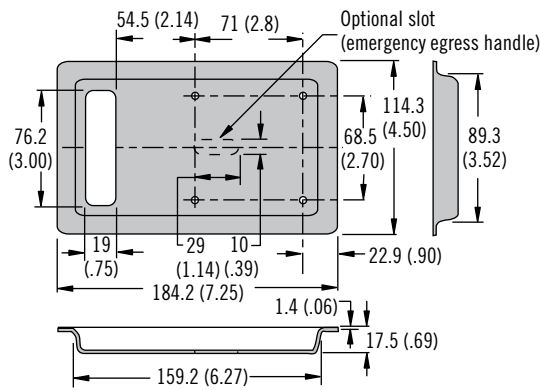


www.southco.com/R3

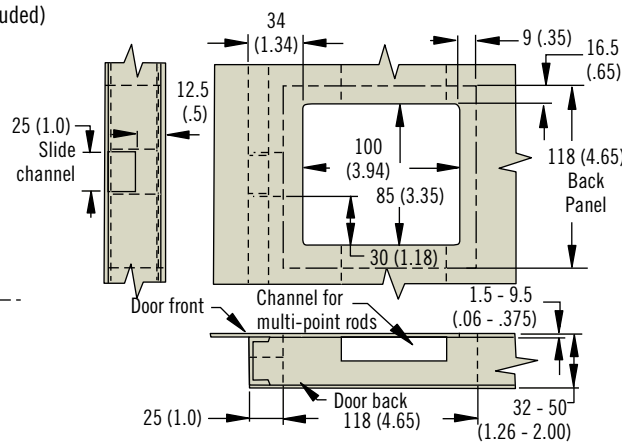
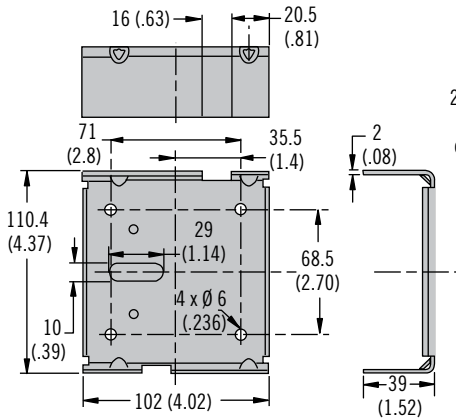
Standard Bracket



Extended Bracket



U-Bracket (slot for emergency egress handle included)



Accessories

Flat key, keyed alike CH751
(2 keys per ring)

Part number: PK-10-01



Overmolded key, keyed alike CH751
(2 keys per ring)



Part number: PK-10-01-05

Overmolded key, keyed alike R001
(2 keys per ring)

Part number: PK-10-01-KR001

Emergency egress handle (optional):
Part number: R3-21-110



Notes

U-bracket is intended for sheet metal door applications

Part Number

Order latch, bracket and mounting screws separately.

For latch see page 166

For bracket and mounting screws see table

Bracket Part Number		No. 8 Self Tapping Screw (Part Number By Length)				
		R3-23-250-01	R3-23-250-02	R3-23-250-03	R3-23-250-04	R3-23-250-05
		16 (.625) Long	19 (.750) Long	25.4 (1.00) Long	32 (1.250) Long	38 (1.500) Long
Standard Bracket	R3-23-160-11-01	32 (1.250)	32 (1.250) - 38 (1.500)	38 (1.500) - 44 (1.750)	44 (1.750) - 50 (2.00)	—
Extended Bracket	R3-23-162-11-01	22 (.875) - 25 (1.00)	25 (1.000) - 32 (1.250)	32 (1.250) - 38 (1.500)	38 (1.500) - 44 (1.750)	44 (1.750) - 50 (2.00)
U-Bracket	R3-23-161-11	1.5 (.0620) - 4.8 (.187)	4.8 (.187) - 9.5 (.375)	—	—	—
Door thickness						



R3 Push-to-Close Latch

Pull-to-open · Paddle handle · Entry door latch

- Environmentally sealed
- Dual sided access and locking

Material and Finish

Latch assembly: Zinc alloy, black powder coated or white or chrome plated

Slide bolt: Zinc alloy, zinc plated

Striker mounting plates and brackets: Steel plated, zinc plated

Performance Details

Max. working load: 560 N (125 lbf)

Operating temperature range: -18°C (0°F) to 60°C (140°F)

Installation Notes

Max. tightening torque on mounting screws: 2 N·m (14 in·lbf)

Accessories

Overmolded key, keyed alike R302 (2 keys per ring)

Part number: PK-10-01-07-KR302



Replacement screws

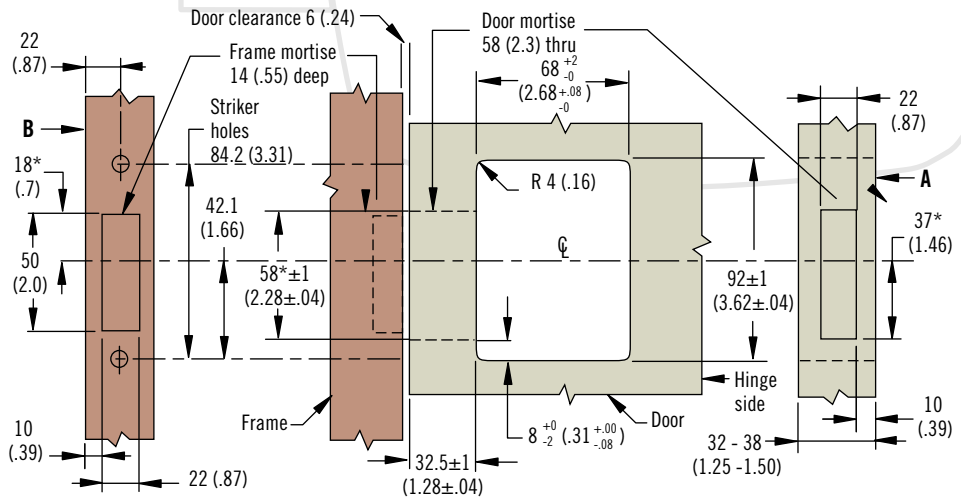
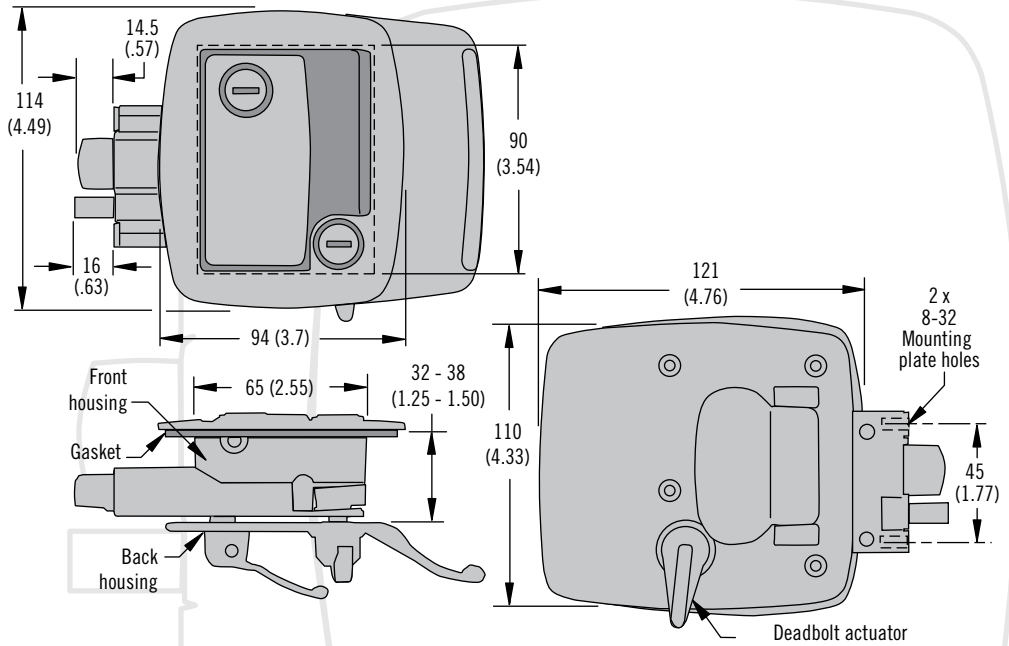
Part number: R3-13-310

Notes

Mounting plate, striker plate and all mounting screws except striker plate screws are provided with each lock set.

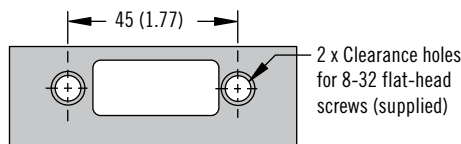
Part Number

See table



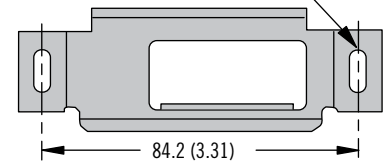
*For left hand mounting mirror the dimensions marked with * by moving them to the other side of the centerline.

Mounting Plate



Striker Plate

2 x Clearance holes for screws (not supplied)



Finish	Latch Part Number
Chrome, polished	R3-10-311-10
Black powder coated	R3-10-311-50
White Powder coated	R3-10-311-70

Part Number	
Mounting plate	R3-13-190
Striker plate	R3-13-180

Dimensions in millimeters (inch) unless otherwise stated

R3-10-311-10	R3-23-250-02
R3-10-311-50	R3-23-250-03
R3-10-311-70	R3-23-250-04
R3-10-321-10	R3-23-250-05
R3-10-321-50	R3-70-350-80
R3-10-321-70	R3-70-360-80
R3-13-180	
R3-13-190	
R3-20-300-10	
R3-20-300-50	
R3-20-300-70	
R3-20-310-10	
R3-20-310-50	
R3-20-310-70	
R3-20-320-10	
R3-20-320-50	
R3-20-320-70	
R3-20-350-10	
R3-20-350-50	
R3-20-350-70	
R3-20-390-10	
R3-20-390-50	
R3-20-390-70	
R3-21-110	
R3-22-300-10	
R3-22-300-50	
R3-22-300-70	
R3-22-310-10	
R3-22-310-50	
R3-22-310-70	
R3-22-320-10	
R3-22-320-50	
R3-22-320-70	
R3-22-340-10	
R3-22-340-50	
R3-22-340-70	
R3-22-350-10	
R3-22-350-50	
R3-22-350-70	
R3-22-390-10	
R3-22-390-50	
R3-22-390-70	
R3-23-160-11-01	
R3-23-160-11-02	
R3-23-161-11	
R3-23-162-11-01	
R3-23-162-11-02	
R3-23-250-01	