

CABIN & COCKPIT ENTRY HARDWARE

MR Omni Cabin & Cockpit Door Lock

A



DOOR THICKNESS RANGE: 12.7 - 19mm (1/2" - 3/4")

The versatile Omni combines high functionality, attractive styling, and quick installation to suit a variety of application requirements. Available in three versions; each version is constructed of all marine-grade materials, such as stainless steel and ABS plastics, and offers:

- Latch provides flush outer surface
- Nylon bumpers reduce vibration and prevent door rattle
- Privacy button option
- Optional doorkeeper holds door in open position

Omni Spring Bolt

- Adjustable spring bolt mechanism accommodates frame variation

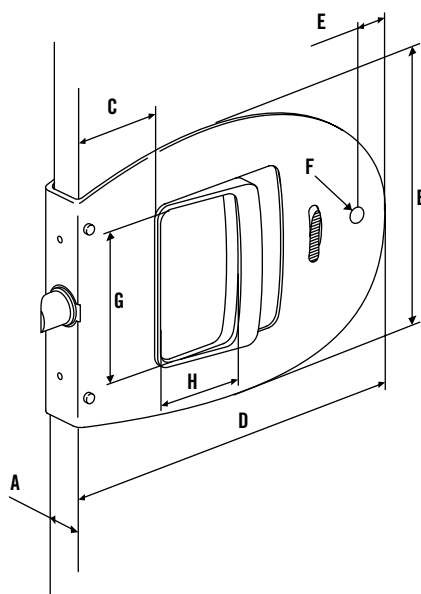
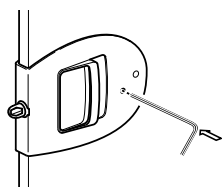
Omni Flat

- Concealed spring bolt eliminates snag points
- Double swing action provides solution for multi-position doors

Omni 2-step

- A flat, round, sliding deadbolt

How to override a locked Omni door lock from the outside



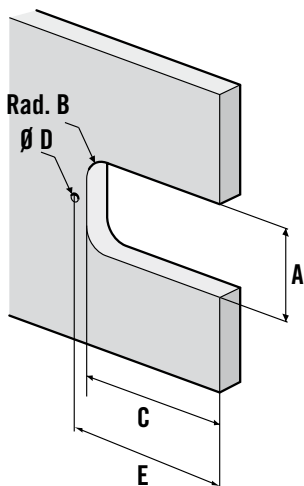
	Imperial		Metric
	Nominal	Decimal	
A	Panel Thickness		
B	3 7/32	3.21	81.5
C	1 9/64	1.14	29
D	4 9/16	4.57	116
E	3/8	.374	9.5
F	15/64	.236	6
G	1 13/16	1.81	46
H	1 1/32	1.02	26

OMNI PART NUMBERS						
	Spring bolt		Flat		2 step	
Door thickness	Privacy	No privacy	Privacy	No privacy	Privacy	No privacy
12.7 mm (1/2)	MR-01-120-24	MR-01-100-24	MR-02-120-24	MR-02-100-24	MR-03-120-24	MR-03-100-24
16 mm (5/8)	MR-01-121-24	MR-01-101-24	MR-02-121-24	MR-02-101-24	MR-03-121-24	MR-03-101-24
19 mm (3/4)	MR-01-122-24	MR-01-102-24	MR-02-122-24	MR-02-102-24	MR-03-122-24	MR-03-102-24
Features						
Privacy	X		X	-	X	-
Adjust Spring Bolt	X	X	-	-	X	X
Bumpers (both sides)	X	X	X	X	X	X
Left and Right swing	X	X	X	X	X	X



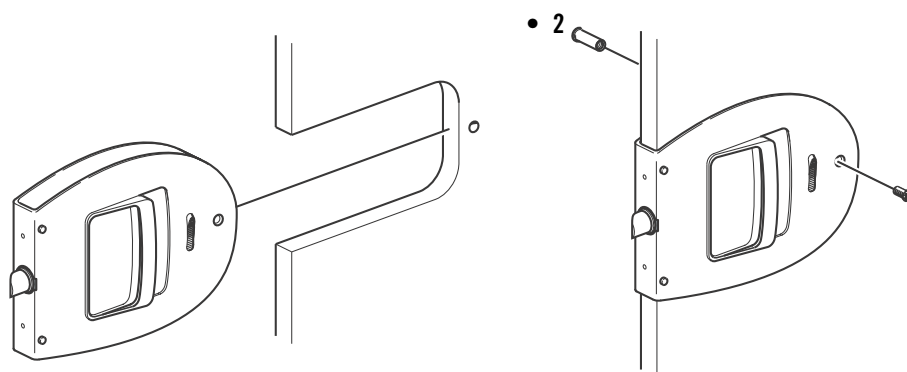
CABIN & COCKPIT ENTRY HARDWARE

Panel Preparation



	Imperial		Metric	
	Nominal	Decimal		
A	min.	2 3/16	2.187	55.6
	max.	2 1/4	2.27	57.9
B	min.	1/4	.25	6.4
	max.	9/16	.56	14
C	min.	3 13/16	3.813	96.8
	max.	3 7/8	3.875	98.4
D		1/4	.25	6.4
E		4 3/16	4.187	106.3

Installation




Options

STRIKER PART NUMBER	
OMNI Flat	MR-90-100-10


DOORKEEPER PART NUMBERS		
Type	White	Black
1	MR-91-101-70	MR-91-101-50
2	MR-91-102-70	MR-91-102-50

SPACER PART NUMBER	
OMNI 2MM THICK (5/64")	MR-92-100-60

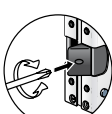
Privacy



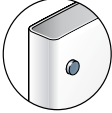
Adjustable spring/dead bolt
(Omni springbolt)

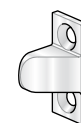


Adjustable spring bolt
(Omni Bob)



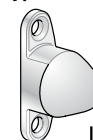
Bumper on both sides





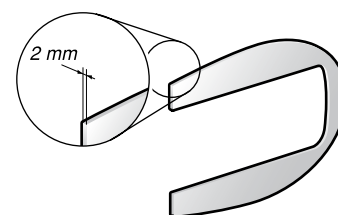
Type 1

Type 2

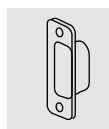


12 (1/2")

18 (11/16")



For strikers see page 23



CABIN & COCKPIT ENTRY HARDWARE

MR Omni Pocket Cabin Door Lock

A



DOOR THICKNESS: 32mm (1-1/4") or 35mm (1-3/8")

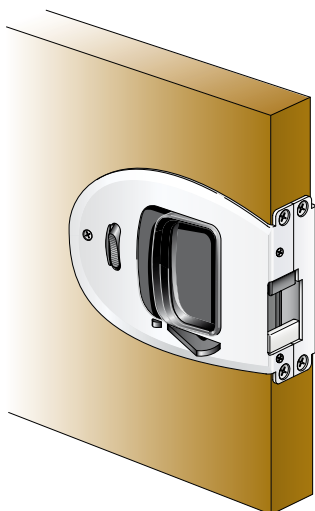
The Omni Pocket sliding-door lock is ideal for interior pocket doors and double-doors. It features an automatic latching mechanism, as well as a door-hold open feature. A hook on the forend side releases the door.

Other features include:

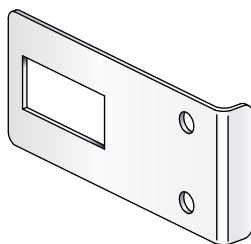
- Interior privacy button with exterior override
- Made of durable, corrosion-resistant stainless steel, ABS plastic, and aluminum
- Each assembly includes one striker and one door holder
- Only 3mm (1/8") protrusion
- Quick installation with a simple door cut-out

Available Options:

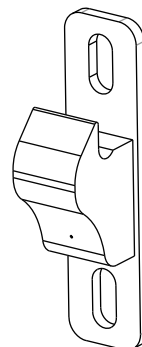
- Door Thickness: Options available for doors down to 22.2mm (7/8"). Contact Southco for details



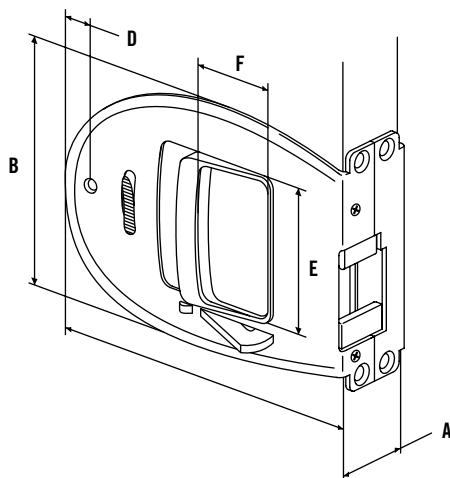
Door holder for Omni Pocket



Striker for Omni Pocket



	Imperial		Metric
	Nominal	Decimal	
A	Panel thickness		
B	3 21/32	3.661	92.5
C	4 11/16	4.685	119
D	3/8	0.375	9.5
E	2 5/32	2.157	55
F	63/64	0.984	25



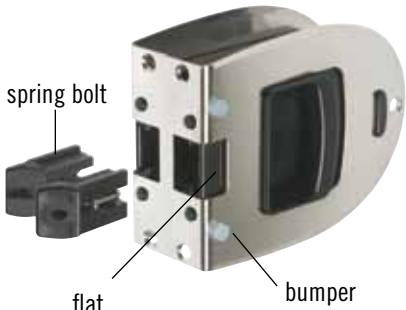
OMNI POCKET PART NUMBERS		
Panel Thickness	25mm (1")	MR-06-123-24
	32mm (1 1/4")	MR-06-124-24
	35mm (1 3/8")	MR-06-125-24



CABIN & COCKPIT ENTRY HARDWARE

MR Omni Bob Transom Door Latch

A



OMNI Bob



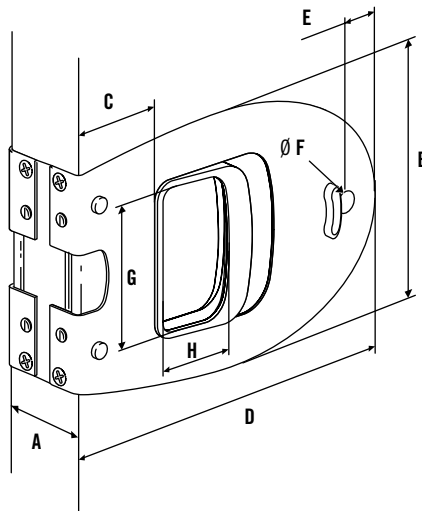
OMNI Bob single side

DOOR THICKNESS RANGE: 25 - 51mm (1" - 2")

The Omni Bob is designed for thicker doors and can be used flat or with spring bolt. There is no protruding springbolt, allowing it to be installed flush to the edge of the door. The unique design latches when it comes in contact with the mating striker.

It also offers:

- Easily-adjustable springbolts for left- or right-swing are included for fast conversion
- Single-side version available, suitable for thicker transom doors
- Nylon bumpers reduce vibration and prevent door rattle
- Optional doorkeeper holds door in open position



	Imperial		Metric
	Nominal	Decimal	
A	Panel Thickness		
B	3 15/16	3.898	99
C	1 3/8	1.378	35
D	5 5/16	5.315	135
E	15/64	.236	6
F	15/64	.236	6
G	2 5/32	2.165	55
H	1 3/16	1.181	30

OMNI Bob PART NUMBERS	
Door thickness range	
25 - 31 mm (1 - 1-1/4")	MR-04-106-24
30 - 36 mm (1-3/16 - 1-7/16")	MR-04-107-24
35 - 41 mm (1-3/8 - 1-5/8")	MR-04-108-24
40 - 46 mm (1-9/16 - 1-13/16")	MR-04-109-24
45 - 51 mm (1-3/4 - 2")	MR-04-1010-24

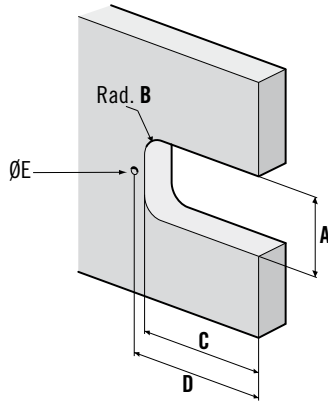
OMNI Bob Single PART NUMBERS		
Min. Door Thickness	Door Swing	
25 mm - (1")	right out/left in	MR-05-603-24
25 mm - (1")	left out/right in	MR-05-703-24



CABIN & COCKPIT ENTRY HARDWARE

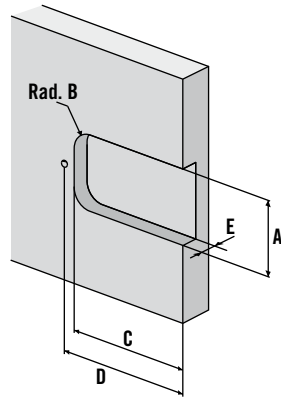
Panel Preparations

Omni Bob



	Imperial		Metric
	Nominal	Decimal	
A	2 11/16	2.667	68
B	5/16	.315	8
C	4 11/16	4.685	119
D	5 3/64	5.039	128
E	15/64	0.236.6	6

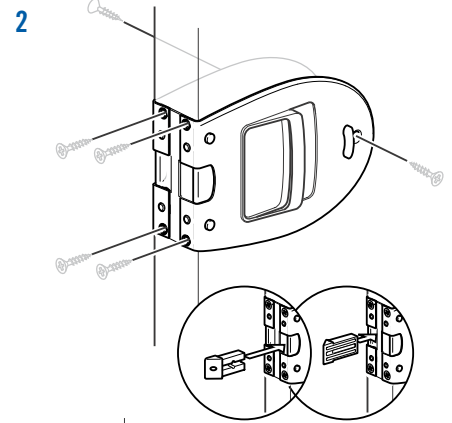
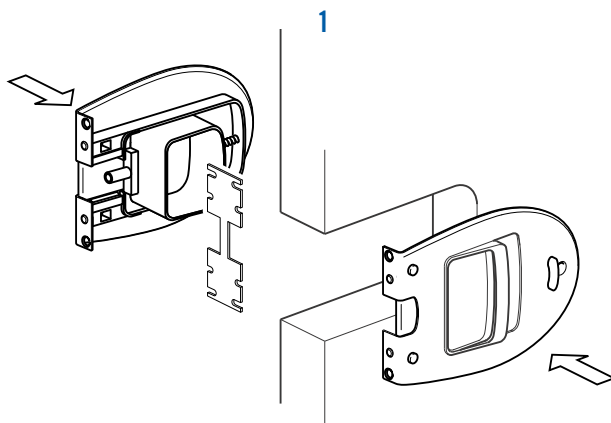
Omni Bob single side



	Imperial		Metric
	Nominal	Decimal	
A	2 11/16	2.667	68
B	5/16	.315	8
C	4 11/16	4.685	119
D	5 3/64	5.039	128
E	25/32	.787	20

Installation

Omni Bob



Omni Bob single side

