



# M1 Push-to-Close Latch

Small · Stainless steel

- Single, round-hole installation
- Locking style restricts access
- Premium finish and corrosion resistance
- Privacy lock on locking version

### Material and Finish

Latch: 316 grade stainless steel and bright polished  
 Spacer: Nylon, black  
 Contact Southco for other finishes

### Performance Details

Max. static load: 545 N (122 lbf)

### Accessories

One key supplied per latch for additional keys order  
 M7-88-9121324-S



Spacer: M1-510-96-1  
 (Sold separately)



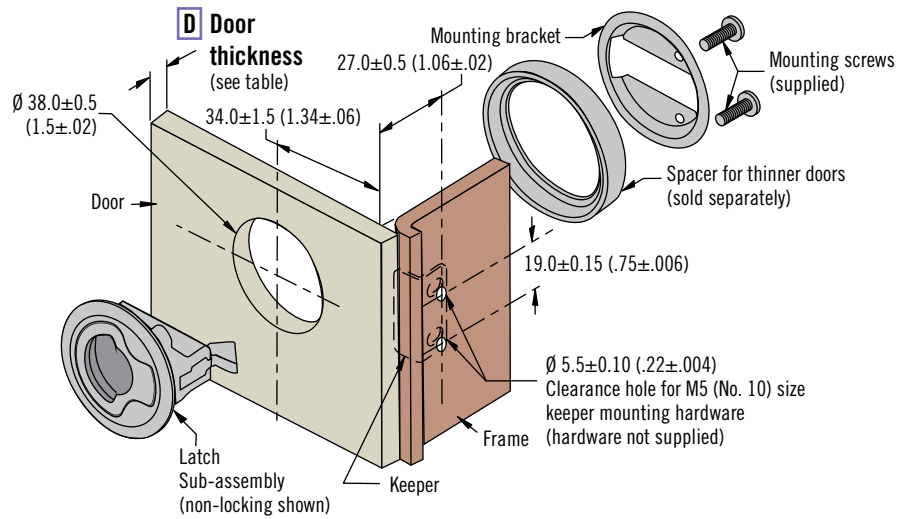
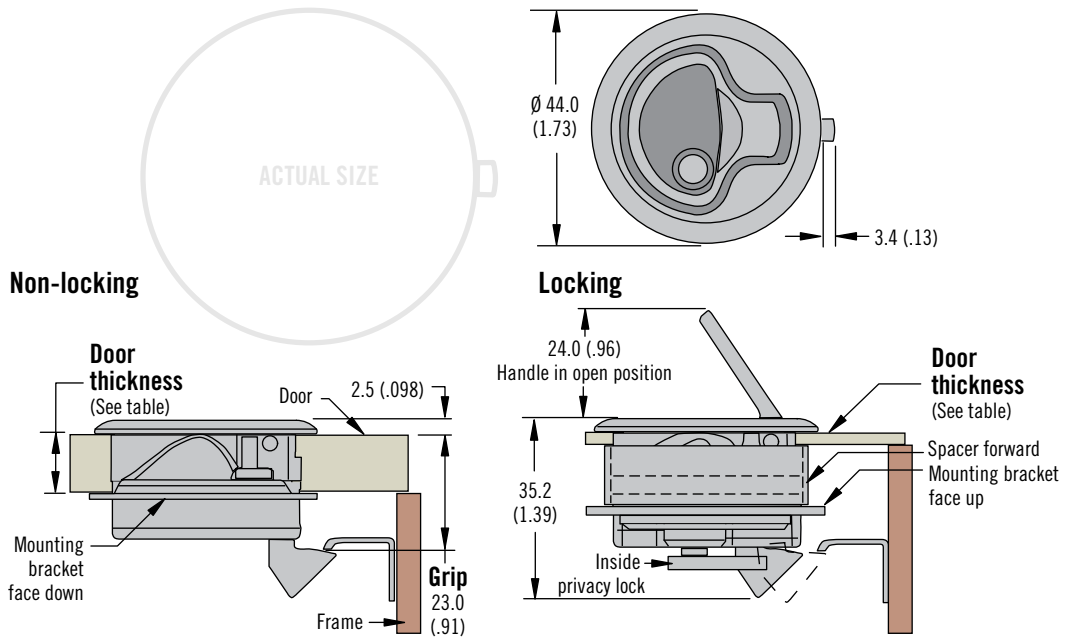
Keeper: M1-510-19-8

Mounting screws: M1-510-96-4

### Installation Notes

Use the reference table to determine if a spacer is required for the door thickness and the correct mounting bracket orientation. The spacer shown is in the forward position.

### Part Number Selection



D Door Thickness	Spacer Orientation	Mounting Bracket Orientation
1.0 - 5.0 (.04 - .20)	Forward	Face Up
5.0 - 9.0 (.20 - .36)	Reverse	Face Up
9.0 - 14.5 (.36 - .57)	(not required)	Face Up
14.5 - 21.0 (.57 - .83)	(not required)	Face Down

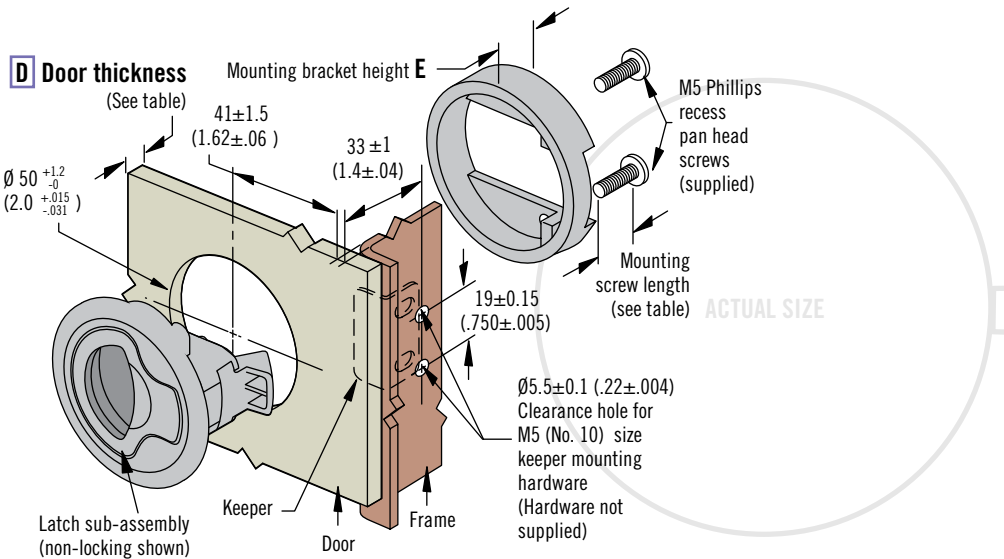
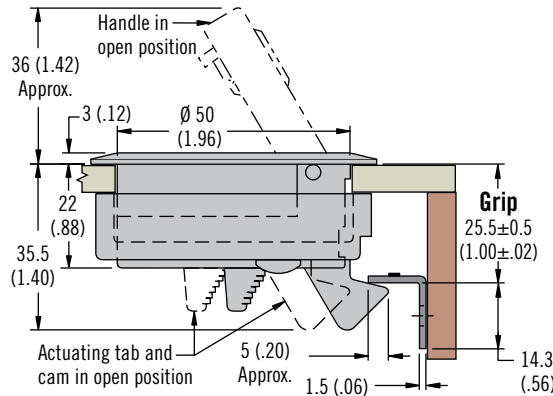
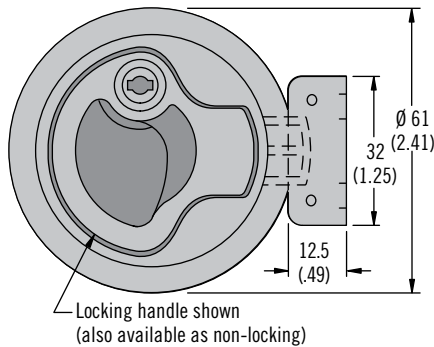


[www.southco.com/M1](http://www.southco.com/M1)

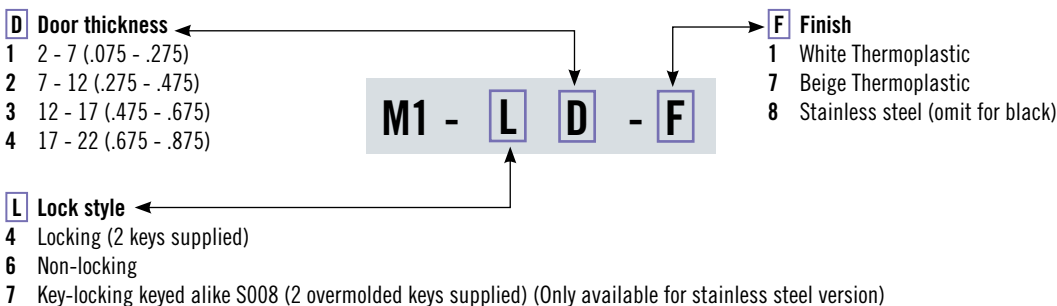
Dimensions in millimeters (inch) unless otherwise stated

# M1 Push-to-Close Latch

Medium · Stainless steel · Plastic



D Door Thickness		Mounting Bracket Height E	Mounting Screw Length	Replacement Screw Part Number
Min.	Max.			
2 (.075)	7 (.275)	14 (.55)	16 (.63)	M1-0-27358-01
7 (.275)	12 (.475)	14 (.55)	20 (.81)	M1-0-27358-02
12 (.475)	17 (.675)	3.8 (.15)	16 (.63)	M1-0-27358-01
17 (.675)	22 (.875)	3.8 (.15)	20 (.81)	M1-0-27358-02



- Single, round-hole installation
- Corrosion-resistant materials
- Inside actuation when locked or unlocked

## Material and Finish

Stainless steel: 316 grade electro polished or PC/PBT blend, black, white or beige

## Performance Details

Max. working load:  
Stainless Steel: 835 N (187 lbf)  
PC/ABT blend 270 N (60 lbf)

Operating temperature range:  
-18 °C (0 °F) to 60 °C (140 °F)

Flammability rating:  
UL94-HB (plastic version)

## Installation Notes

Max. tightening torque on mounting screws: 1.7 N·m (15 in·lbf)

## Accessories

Keeper  
Part number: M1-519-4

For lock style 4

Key (pair)  
Part number: M1-546

For lock style 7

Overmolded key S008 (pair)  
Part number:  
M1-525-39-S008

## Part Number Selection

See page 70 for complimentary styled compression version



# M1 Push-to-Close Latch

Large · Stainless steel

- **Single, round-hole installation**
- **Corrosion-resistant materials**
- **Inside actuation when locked or unlocked**

### Material and Finish

Stainless steel 316 grade electro polished

### Performance Details

Max. working load: 835 N (187 lbf)

Operating temperature range: -18°C (0°F) to 60°C (140°F)

### Installation Notes

Max. tightening torque on mounting screws: 1.7 N·m (15 in·lbf)

### Accessories

Keeper

Part number: M1-525-19-4

For lock style 4

Key (pair)

Part number: M1-546

For lock style 7

Overmolded key S008 (pair)

Part number: M1-525-39-S008

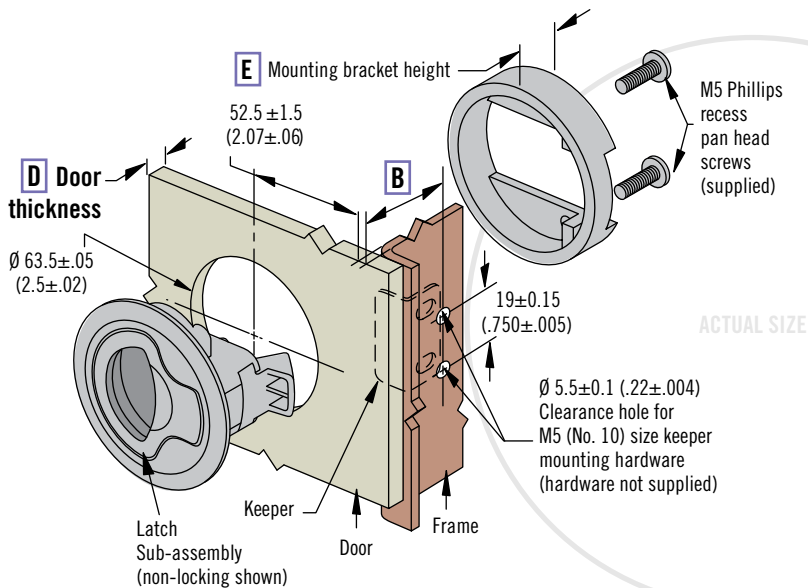
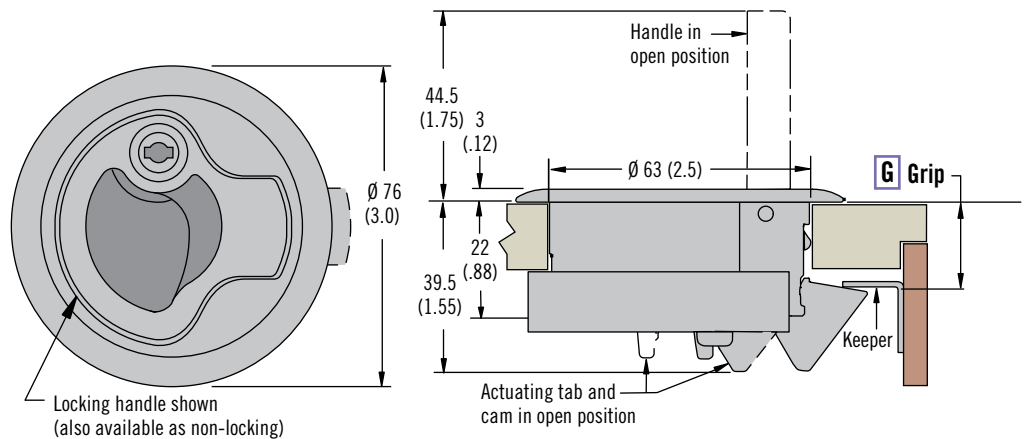


Replacement mounting screw

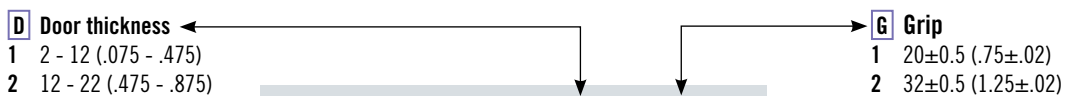
Part number: M1-0-27358-02

### Part Number Selection

See page 71 for complimentary styled compression version



G Grip	E Mounting Bracket Height	D Door Thickness		B
		Min.	Max.	
20±0.5 (.75±.02)	22 (.875)	2 (.075)	12 (.475)	27 (1.10)
32±0.5 (1.25±.02)	22 (.875)	2 (.075)	12 (.475)	39 (1.54)
20±0.5 (.75±.02)	12 (.475)	12 (.475)	22 (.875)	27 (1.10)
32±0.5 (1.25±.02)	12 (.475)	12 (.475)	22 (.875)	39 (1.54)



- L Lock style**
- 4 Locking keyed alike (2 keys supplied)
  - 6 Non-locking
  - 7 Key-locking keyed alike S008 (2 overmolded keys supplied)

Dimensions in millimeters (inch) unless otherwise stated



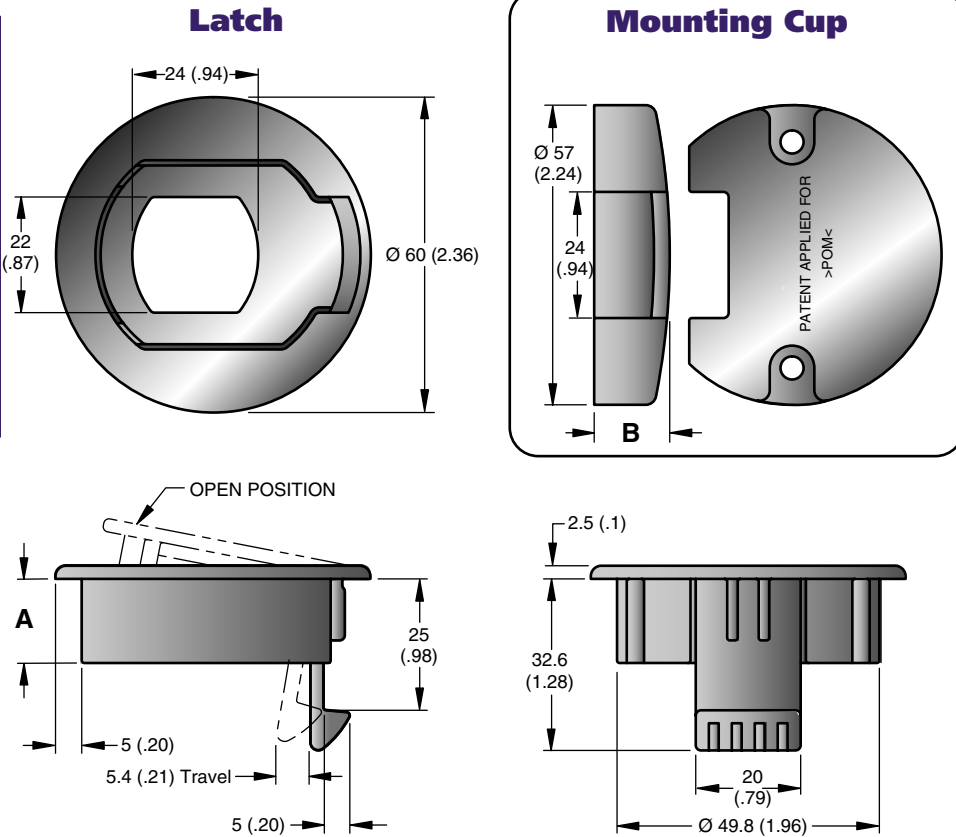
[www.southco.com/M1](http://www.southco.com/M1)

# Southco® Push to Close Latches

## Flush Simplicity

- Pull to open
- Corrosion-resistant materials
- Very low profile
- Single, round-hole installation

Push to Close Latches Visible



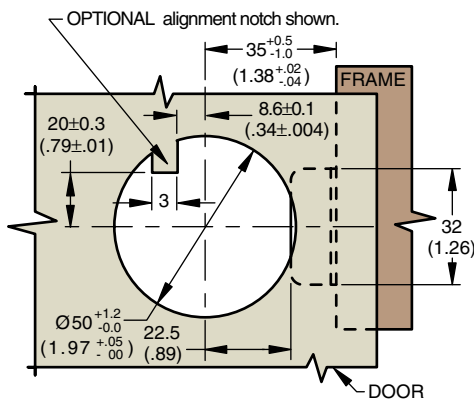
Lift the handle to open...



Push the door to latch.

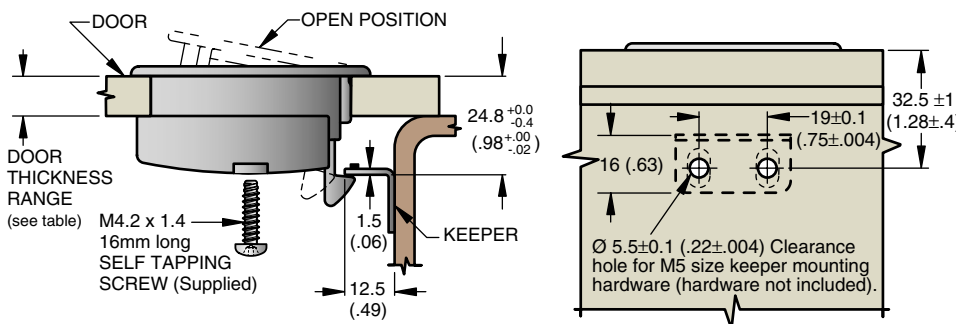
DOOR THICKNESS RANGE	A	B	PART NUMBER
1 (.04) - 7 (.28)	16 (.63)	20.4 (.80)	M1-81 •
7 (.28) - 13 (.51)	16 (.63)	14.3 (.57)	M1-82 •
13 (.51) - 19 (.75)	22 (.87)	14.3 (.57)	M1-83 •

## Panel Preparation



Align latch with frame, secure with mounting cup and self tapping screws (supplied with all parts).

**CAUTION:** Do not over-tighten screws.



## Material and Finish

LATCH and MOUNTING CUP: Acetal, black.  
KEEPER: 304 Stainless steel, passivated.  
SCREWS: 302 Stainless steel, passivated.

Minimum Pawl Engagement: 3.0 (.12)

## Product Strength Guidelines

(To assist in your product selection; samples are available for your evaluation.)

Maximum static load: 135 N (30 lbs.)  
Average ultimate load: 175 N (39 lbs.)  
Maximum tightening torque on mounting screws: 0.5 to 0.8 N•m (4.4 to 7.1 in.-lbs.)

**Flammability Rating:** UL94-HB  
**Operating Temperature Range:** -40°C (-40°F) to 80 °C (176°F)

millimeter (inch)  
millimeter (inch)

Dimensions without tolerances are for reference only.

M1-0-27358-01	M1-20-91-68	M1-25-81-58	M1-520-81	M1-63-800
M1-0-27358-02	M1-20-91-78	M1-25-81-68	M1-520-85-8	M1-63-811
M1-15-41-8	M1-20-91-88	M1-25-81-78	M1-520-87	M1-63-877
M1-15-61-8	M1-20-92-38	M1-25-81-88	M1-520-88	M1-64
M1-15-6P-8	M1-20-92-48	M1-25-82-38	M1-520-91-4	M1-64-1
M1-20-31-38	M1-20-92-58	M1-25-82-48	M1-520-92-4	M1-64-7
M1-20-31-48	M1-20-92-68	M1-25-82-48-6	M1-520-93-4	M1-64-8
M1-20-31-58	M1-20-92-78	M1-25-82-58	M1-42-877	M1-64-800
M1-20-31-68	M1-20-92-88	M1-25-82-68	M1-43	M1-64-811
M1-20-31-78	M1-20-93-38	M1-25-82-78	M1-43-1	M1-64-877
M1-20-31-88	M1-20-93-48	M1-25-82-88	M1-43-7	M1-71-1
M1-20-32-38	M1-20-93-58	M1-25-83-38	M1-43-8	M1-71-8
M1-20-32-38-PA	M1-20-93-68	M1-25-83-48	M1-43-800	M1-72-8
M1-20-32-48	M1-20-93-78	M1-25-83-58	M1-43-811	M1-73-8
M1-20-32-48-PA	M1-20-93-88	M1-25-83-68	M1-43-877	M1-74-8
M1-20-32-58	M1-25-31-38	M1-25-83-78	M1-44	M1-81
M1-20-32-68	M1-25-31-48	M1-25-83-88	M1-44-1	M1-82
M1-20-32-78	M1-25-31-58	M1-25-91-38	M1-44-7	M1-83
M1-20-32-88	M1-25-31-68	M1-25-91-48	M1-44-8	M1-520-94-8-008
M1-20-33-38	M1-25-31-78	M1-25-91-58	M1-44-800	M1-525-19-4
M1-20-33-48	M1-25-31-88	M1-25-91-68	M1-44-811	M1-525-39-S001
M1-20-33-58	M1-25-32-38	M1-25-91-78	M1-44-877	M1-525-39-S004
M1-20-33-68	M1-25-32-48	M1-25-91-88	M1-510-19-8	M1-525-39-S007
M1-20-33-78	M1-25-32-48-6	M1-25-92-38	M1-510-96-1	M1-525-39-S008
M1-20-33-88	M1-25-32-58	M1-25-92-48	M1-514-4	M1-525-39-S014
M1-20-81-38	M1-25-32-68	M1-25-92-58	M1-515-4	M1-525-39-S015
M1-20-81-48	M1-25-32-78	M1-25-92-68	M1-516-12	M1-525-39-S016
M1-20-81-58	M1-25-32-88	M1-25-92-78	M1-516-8	M1-525-56-8-004
M1-20-81-68	M1-25-33-38	M1-25-92-88	M1-517-11	M1-525-56-8-007
M1-20-81-78	M1-25-33-48	M1-25-93-38	M1-517-12	M1-525-56-8-008
M1-20-81-88	M1-25-33-58	M1-25-93-48	M1-517-8	M1-525-56-8-014
M1-20-82-38	M1-25-33-68	M1-25-93-58	M1-518-11	M1-525-56-8-016
M1-20-82-38-PA	M1-25-33-78	M1-25-93-68	M1-518-12	M1-525-72-8
M1-20-82-48	M1-25-33-88	M1-25-93-78	M1-519-4	M1-525-73-8
M1-20-82-48-PA	M1-25-41-18	M1-25-93-88	M1-520-16-8	M1-525-77-4
M1-20-82-58	M1-25-41-28	M1-41	M1-520-18-8	M1-525-78-4
M1-20-82-68	M1-25-42-18	M1-41-1	M1-520-23-8	M1-525-79-4
M1-20-82-78	M1-25-42-28	M1-41-7	M1-520-25-8	M1-525-80
M1-20-82-88	M1-25-61-18	M1-41-8	M1-520-25-8-98	M1-525-81
M1-20-83-38	M1-25-61-28	M1-41-800	M1-520-26-8	M1-525-86-8
M1-20-83-48	M1-25-62-18	M1-41-811	M1-520-36-8	M1-525-87
M1-20-83-58	M1-25-62-28	M1-41-877	M1-520-56-8-008	M1-525-88
M1-20-83-68	M1-25-71-18	M1-42	M1-520-72-8	M1-545-4
M1-20-83-78	M1-25-71-28	M1-42-1	M1-520-73-8	M1-546
M1-20-83-88	M1-25-72-18	M1-42-7	M1-520-77-4	M1-551-2
M1-20-91-38	M1-25-72-28	M1-42-8	M1-520-78-4	M1-557-2
M1-20-91-48	M1-25-81-38	M1-42-800	M1-520-79-4	M1-558-2
M1-20-91-58	M1-25-81-48	M1-42-811	M1-520-80	M1-561-2

M1-520-94-8-008 M1-61  
M1-525-19-4 M1-61-1  
M1-525-39-S001 M1-61-7  
M1-525-39-S004 M1-61-8  
M1-525-39-S007  
M1-525-39-S008  
M1-525-39-S014  
M1-525-39-S015  
M1-525-39-S016  
M1-525-56-8-004  
M1-525-56-8-007  
M1-525-56-8-008  
M1-525-56-8-014  
M1-525-56-8-016  
M1-525-72-8  
M1-525-73-8  
M1-525-77-4  
M1-525-78-4  
M1-525-79-4  
M1-525-80  
M1-525-81  
M1-525-86-8  
M1-525-87  
M1-525-88  
M1-545-4  
M1-546  
M1-551-2  
M1-557-2  
M1-558-2  
M1-561-2  
M1-61  
M1-61-1  
M1-61-7  
M1-61-8  
M1-61-800  
M1-61-811  
M1-61-877  
M1-62  
M1-62-1  
M1-62-7  
M1-62-8  
M1-62-800  
M1-62-811  
M1-62-877  
M1-63  
M1-63-1  
M1-63-7  
M1-63-8

M1-0-27358-01	M1-20-91-68	M1-25-81-58	M1-42-877
M1-0-27358-02	M1-20-91-78	M1-25-81-68	M1-43
M1-15-41-8	M1-20-91-88	M1-25-81-78	M1-43-1
M1-15-61-8	M1-20-92-38	M1-25-81-88	M1-43-7
M1-15-6P-8	M1-20-92-48	M1-25-82-38	M1-43-8
M1-20-31-38	M1-20-92-58	M1-25-82-48	M1-43-800
M1-20-31-48	M1-20-92-68	M1-25-82-48-6	M1-43-811
M1-20-31-58	M1-20-92-78	M1-25-82-58	M1-43-877
M1-20-31-68	M1-20-92-88	M1-25-82-68	M1-44
M1-20-31-78	M1-20-93-38	M1-25-82-78	M1-44-1
M1-20-31-88	M1-20-93-48	M1-25-82-88	M1-44-7
M1-20-32-38	M1-20-93-58	M1-25-83-38	M1-44-8
M1-20-32-38-PA	M1-20-93-68	M1-25-83-48	M1-44-800
M1-20-32-48	M1-20-93-78	M1-25-83-58	M1-44-811
M1-20-32-48-PA	M1-20-93-88	M1-25-83-68	M1-44-877
M1-20-32-58	M1-25-31-38	M1-25-83-78	M1-510-19-8
M1-20-32-68	M1-25-31-48	M1-25-83-88	M1-510-96-1
M1-20-32-78	M1-25-31-58	M1-25-91-38	M1-514-4
M1-20-32-88	M1-25-31-68	M1-25-91-48	M1-515-4
M1-20-33-38	M1-25-31-78	M1-25-91-58	M1-516-12
M1-20-33-48	M1-25-31-88	M1-25-91-68	M1-516-8
M1-20-33-58	M1-25-32-38	M1-25-91-78	M1-517-11
M1-20-33-68	M1-25-32-48	M1-25-91-88	M1-517-12
M1-20-33-78	M1-25-32-48-6	M1-25-92-38	M1-517-8
M1-20-33-88	M1-25-32-58	M1-25-92-48	M1-518-11
M1-20-81-38	M1-25-32-68	M1-25-92-58	M1-518-12
M1-20-81-48	M1-25-32-78	M1-25-92-68	M1-519-4
M1-20-81-58	M1-25-32-88	M1-25-92-78	M1-520-16-8
M1-20-81-68	M1-25-33-38	M1-25-92-88	M1-520-18-8
M1-20-81-78	M1-25-33-48	M1-25-93-38	M1-520-23-8
M1-20-81-88	M1-25-33-58	M1-25-93-48	M1-520-25-8
M1-20-82-38	M1-25-33-68	M1-25-93-58	M1-520-25-8-98
M1-20-82-38-PA	M1-25-33-78	M1-25-93-68	M1-520-26-8
M1-20-82-48	M1-25-33-88	M1-25-93-78	M1-520-36-8
M1-20-82-48-PA	M1-25-41-18	M1-25-93-88	M1-520-56-8-008
M1-20-82-58	M1-25-41-28	M1-41	M1-520-72-8
M1-20-82-68	M1-25-42-18	M1-41-1	M1-520-73-8
M1-20-82-78	M1-25-42-28	M1-41-7	M1-520-77-4
M1-20-82-88	M1-25-61-18	M1-41-8	M1-520-78-4
M1-20-83-38	M1-25-61-28	M1-41-800	M1-520-79-4
M1-20-83-48	M1-25-62-18	M1-41-811	M1-520-80
M1-20-83-58	M1-25-62-28	M1-41-877	M1-520-81
M1-20-83-68	M1-25-71-18	M1-42	M1-520-85-8
M1-20-83-78	M1-25-71-28	M1-42-1	M1-520-87
M1-20-83-88	M1-25-72-18	M1-42-7	M1-520-88
M1-20-91-38	M1-25-72-28	M1-42-8	M1-520-91-4
M1-20-91-48	M1-25-81-38	M1-42-800	M1-520-92-4
M1-20-91-58	M1-25-81-48	M1-42-811	M1-520-93-4

M1-525-39-S016	M1-64-811
M1-525-56-8-004	M1-64-877
M1-525-56-8-007	M1-71-1
M1-525-56-8-008	M1-71-8
M1-525-56-8-014	M1-72-8
M1-525-56-8-016	M1-73-8
M1-525-72-8	M1-74-8
M1-525-73-8	M1-81
M1-525-77-4	M1-82
M1-525-78-4	M1-83
M1-525-79-4	M1-520-94-8-008
M1-525-80	M1-525-19-4
M1-525-81	M1-525-39-S001
M1-525-86-8	M1-525-39-S004
M1-525-87	M1-525-39-S007
M1-525-88	M1-525-39-S008
M1-545-4	M1-525-39-S014
M1-546	M1-525-39-S015
M1-551-2	
M1-557-2	
M1-558-2	
M1-561-2	
M1-61	
M1-61-1	
M1-61-7	
M1-61-8	
M1-61-800	
M1-61-811	
M1-61-877	
M1-62	
M1-62-1	
M1-62-7	
M1-62-8	
M1-62-800	
M1-62-811	
M1-62-877	
M1-63	
M1-63-1	
M1-63-7	
M1-63-8	
M1-63-800	
M1-63-811	
M1-63-877	
M1-64	
M1-64-1	
M1-64-7	
M1-64-8	
M1-64-800	