

# ACCESS HARDWARE

## MP Beetle Push-to-Close Latch · Medium · Plastic · Lift to Open

B



- Adjustable Grip
- Round-hole installation
- Inside actuation when locked or unlocked

### Material and Finish

Housing cover, cup and handle:  
Stainless steel, 316 grade electropolished  
Housing:  
PC/PBT blend, black or white

### Performance Details

Max. working load: 270 N (60 lbf)

Operating temperature range:  
-18°C (0°F) to 60°C (140°F)

Flammability rating: UL94-HB

### Installation Notes

Max. tightening torque on mounting screws (supplied): 1.7 N·m (15 in·lbf)

### Accessories

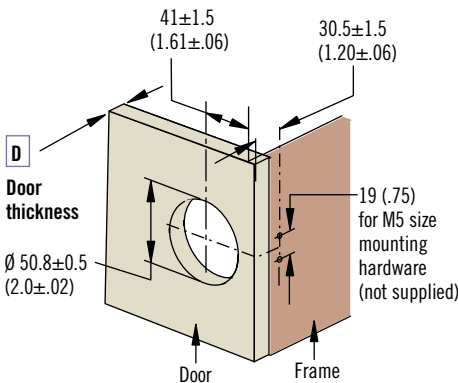
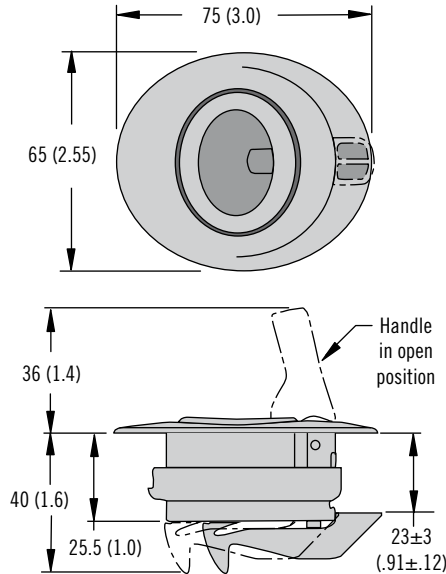
- Keeper  
Part number: M1-519-4
- Key 948 (pair)  
Part number: MF-97-948-41



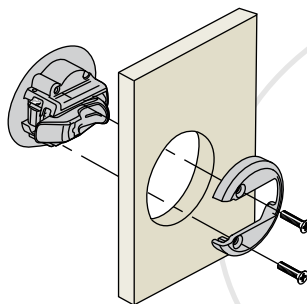
For other keying options please contact Southco Marine

Replacement mounting screw  
Part number: MP-520-28-4

### Non-Locking



### Installation

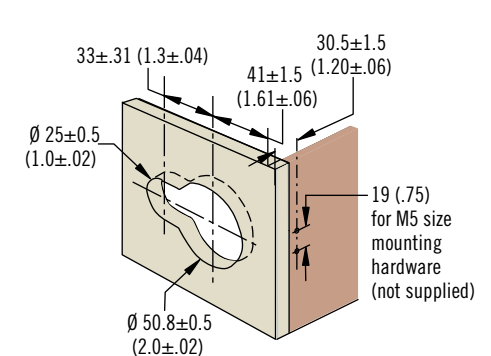
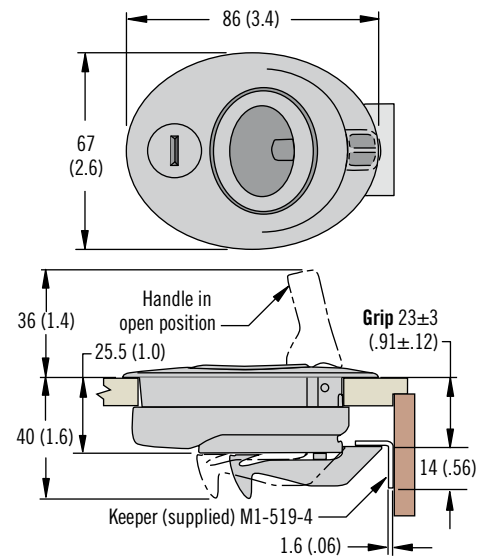


### Part Number Selection

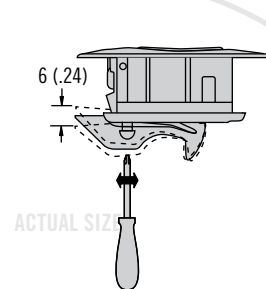
**MP - 03 - 1 L D - F 0**

- L** Lock style
  - 0 Non-locking
  - 1 Key-locking keyed alike 948 (2 keys supplied)
- D** Door thickness
  - 0 10 - 16 (.39 - .63)
  - 1 16 - 22 (.63 - .87)
- F** Finish
  - 00 316 Stainless cover over black housing
  - 55 Black housing
  - 77 White housing

### Locking



### Grip Adjustment



ACTUAL SIZE

