



# M1 Push-to-Close Latch

Lift-to-open · Flush

- Lift-to-open
- Single hole installation
- Dual sided latching

### Material and Finish

Latching slides and mounting bracket:  
Glass reinforced nylon, black

Housing and paddle:  
Polycarbonate/ABS, black

### Performance Details

Max. working load: 500 N (112 lbf)

Flammability rating: UL94-HB

### Installation Notes

Max. tightening torque on torx mounting screws:  
1.8 N·m (16 in·lbf)

### Accessories

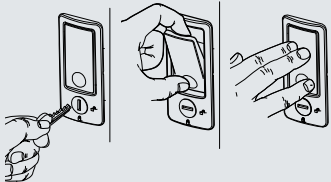
Flat key, keyed alike CH751  
(2 keys per ring)  
Part number: PK-10-01



Overmolded key, keyed alike CH751  
(2 keys per ring)  
Part number: PK-10-01-05

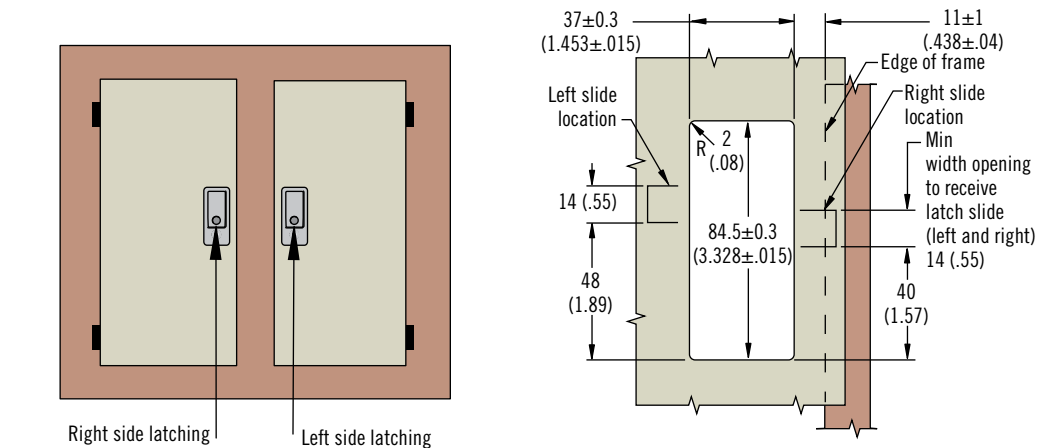
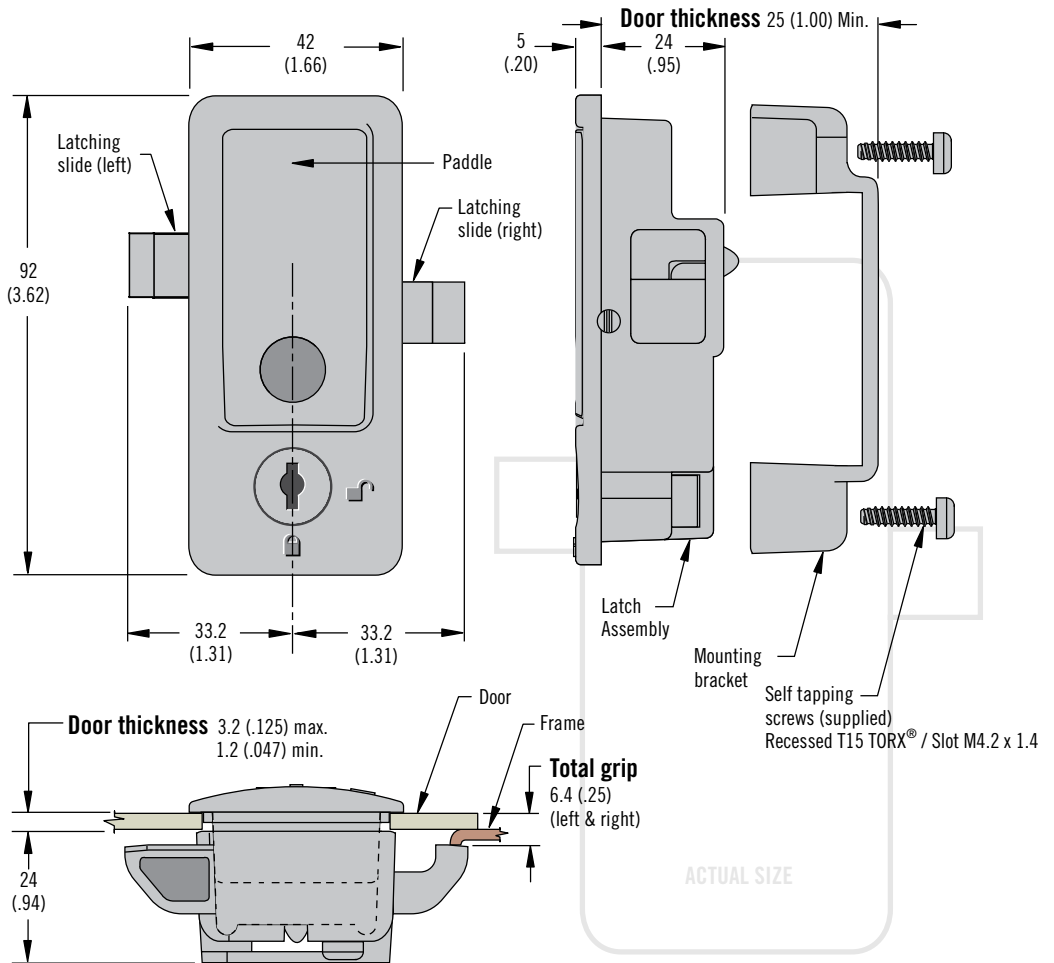


1. Unlock
2. Press and pull to open
3. Push to close



### Part Number

See table



Part Number (2 Flat Keys Supplied)	
Right side latching	M1-2F-1-25
Dual side latching	M1-2F-2-25
Left side latching	M1-2F-3-25

Dimensions in millimeters (inch) unless otherwise stated