

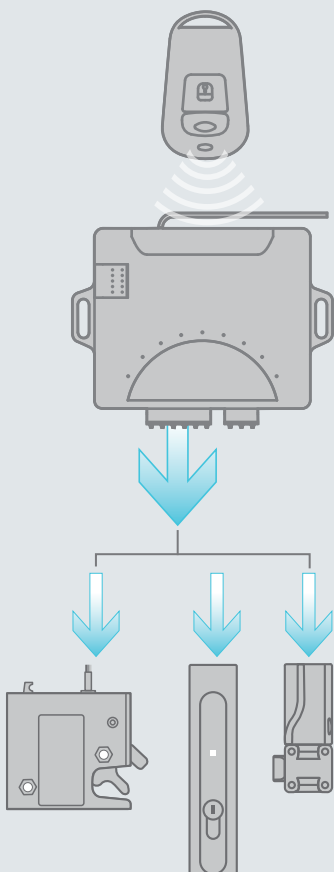


EA-R02 RF Remote Control System

Electronic access

- **Secure, convenient, wireless remote lock actuation**
- **Quick installation and setup**
- **Economical and compact package**
- **Proven 433 MHz radio frequency technology**
- **Up to 4 transmitters per receiver**
- **18 meter (60 feet) unobstructed open air operating range**
- **Auxiliary output for horn/ light indicator output**

Southco's new EA-R02 RF Remote Control System enables remote actuation of Southco electronic locks in a basic, economical package. The EA-R02 uses a palm-size radio frequency (RF) transmitter for remote locking and unlocking of electronic locks. The keyless system consists of a receiver, two key fob style transmitters and interconnecting wire harness. The unit provides precious peace of mind with the added security and convenience that mechanical keys cannot deliver. A simple push of a button can wirelessly control multiple locks for convenient remote control. Setup and installation are both quick and easy for a smooth transition from mechanical to electronic access.



Other options available. For complete details on variety, part numbers, installation and specification, go to



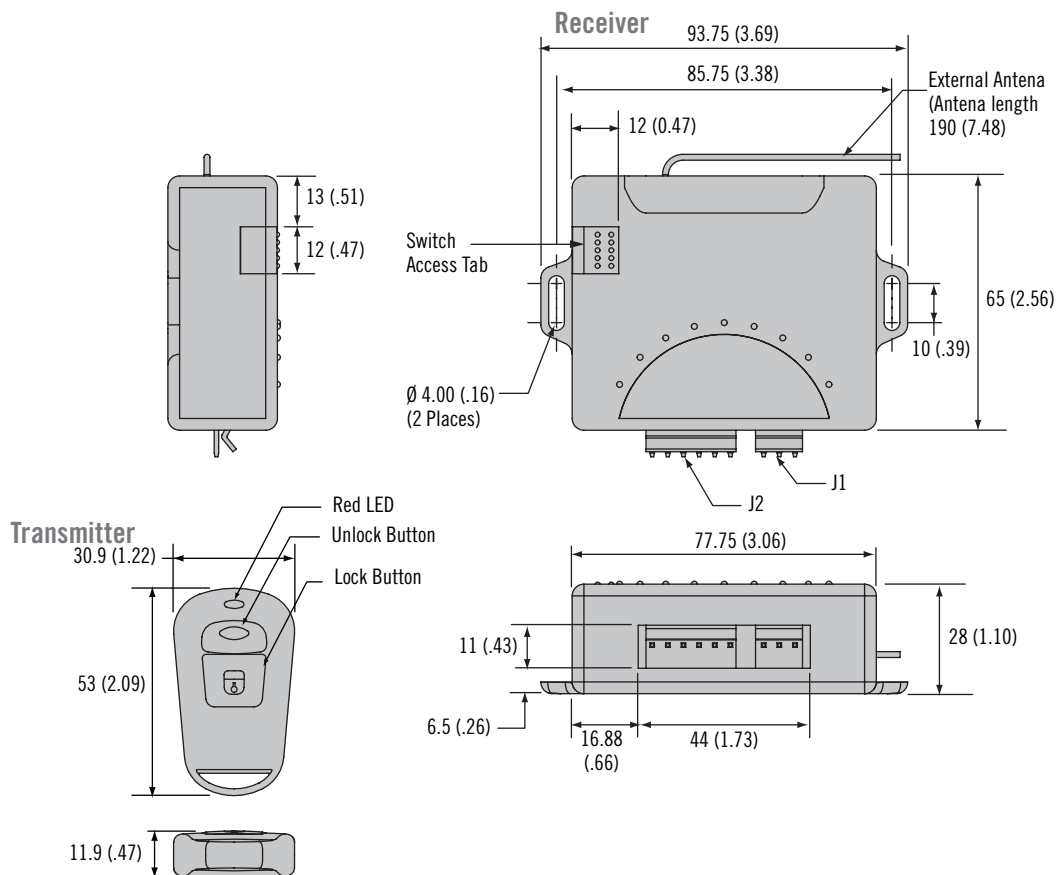
www.southco.com/EA-R02

Dimensions in millimeters (inch) unless otherwise stated

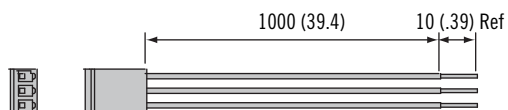
southco
CONNECT · CREATE · INNOVATE

EA-R02 RF Remote Control System

Electronic access

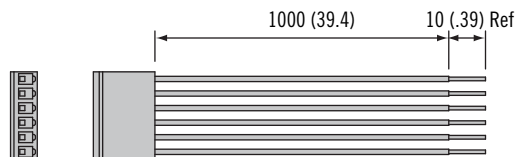


Power Supply and Auxiliary Output Wire Harness (J1)



Pin	Wire Color	Description
1	RED	VCC (+12VDC Power Supply Input)
2	BLACK	GND (Ground)
3	YELLOW	Auxiliary Output (Vout = VCC)

LOCK & UNLOCK Relay Wire Harness (J2)



Pin	Wire Color	Description
1	BLUE/BLACK	LOCK Relay – Normally Closed (typically connect to GND)
2	BLUE	LOCK Relay – Common (typically connect to latch)
3	BLUE/RED	LOCK Relay – Normally Open (typically connect to VCC)
4	GREEN/BLACK	UNLOCK Relay – Normally Closed (typically connect to GND)
5	GREEN	UNLOCK Relay – Common (typically connect to latch)
6	GREEN/RED	UNLOCK Relay – Normally Open (typically connect to VCC)

RF Remote Control System Part Number: EA-R02

Includes 1 Receiver, 2 Keyfobs,
1 Pair Power/Auxiliary and Lock/Unlock Relay Connector Wire Harnesses and Operating Instructions

Dimensions in millimeters (inch) unless otherwise stated

Material & Finish

ABS Plastic

Electrical Specifications

Receiver Power: 12VDC ($\pm 10\%$)

Receiver Standby Current: 10mA
MAX, No Attached Devices

Receiver Operating Current: 100mA
MAX, No Attached Devices

Receiver Outputs: Three Form C
Relays, Rated 15A at 14VDC

Receiver Lock/Unlock Output Pulse
Duration: 250ms or 10 sec
(Selectable)

Receiver Operating Temperature:
-20 to 80 °C

Operation

Operating Range: Up to 60 Feet / 18
Meters (Open Air)

Operating Frequency: 433.92MHz

Coding Type: Fixed Code (24-Bit)

Transmitter Power: Type CR2016
3VDC Battery

(Qty 2 per transmitter)

Switch Access Tab

Switch 1 - Used to enroll
transmitters

Switch 2 - Used to set LOCK and
UNLOCK pulse duration



Note:

Individual components can be
ordered separately. Contact Southco
for information.