

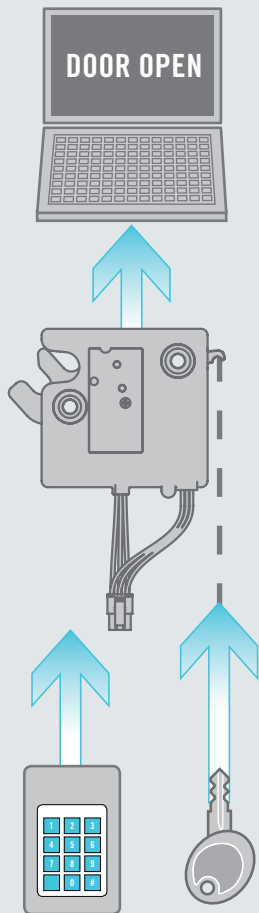


R4 EM Light Duty Electronic Rotary Latch

Electronic access

- **Auto re-lock and delayed re-lock version**
- **Push-to-close, electronic release**
- **Versatile rotary mechanism**
- **Concealed latching**
- **Microprocessor control**
- **Minimal power draw**
- **Simple mechanical over-ride**
- **Optional internal microswitch for latch open/close output signal**

The R4-EM Light Duty Electronic Rotary Latch provides a simple, versatile electromechanical latch solution for a variety of applications. Add a 12-24 Volt DC power supply and any access control device to the R4-EM for a secure, concealed electronic access solution. The optional internal microswitch provides an output signal to remotely monitor latch status or control external systems. The Light Duty R4-EM provides a 65% weight savings over the standard steel housing version.



Other options available. For complete details on variety, part numbers, installation and specification, go to



www.southco.com/R4-EML

Dimensions in millimeters (inch) unless otherwise stated

southco
CONNECT · CREATE · INNOVATE



R4 EM Light Duty Electronic Rotary Latch

Electronic access

Material & Finish

Housings: PC/ABS
 Cam: Glass Filled Nylon
 Trigger: PBT
 Springs: Stainless Steel
 Pins: Steel, zinc plated

Electrical Specifications

Recommended Operating Voltage:
 12 to 24 VDC
 Typical Operating Current (average
 at no load): Less than 600mA at
 12VDC
 Input Signal Current Draw: 25mA
 Max

**Optional microswitch closes upon
 latch closure

Microswitch Rating: 3A Max at
 12 VDC

Wire Color Code / Connector Pin Assignment:

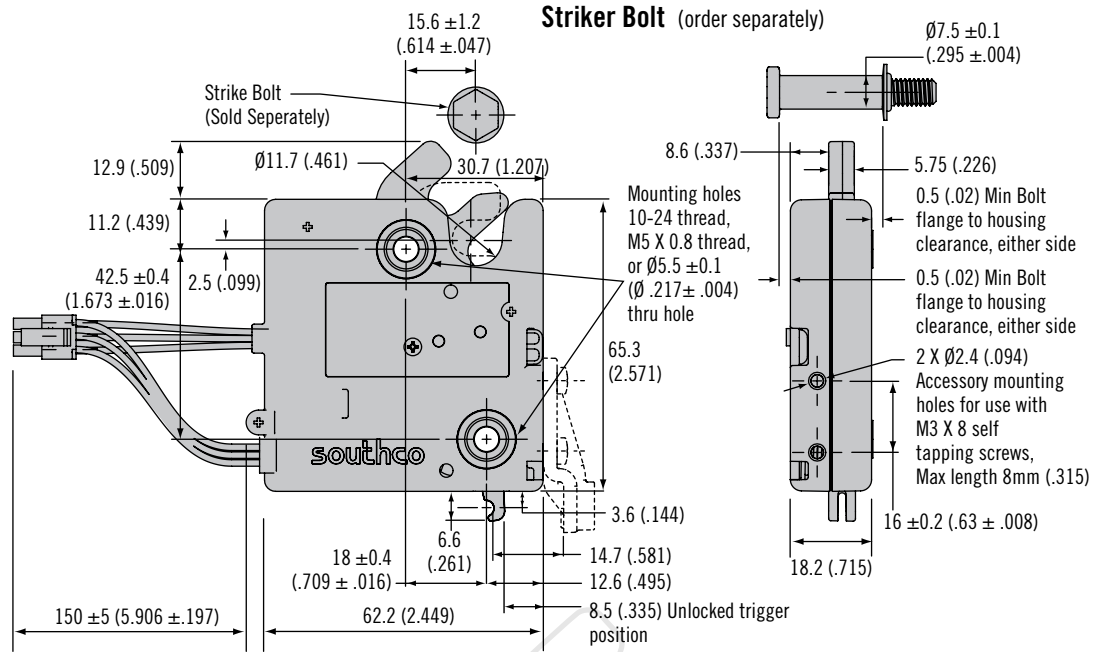
PIN 1: Brown: Ground (-)
 PIN 2: Red: Power 8 to 26 Volts DC
 PIN 3: Orange: Control Signal
 8 to 12 Volts DC (Contact Southco
 for Higher Voltage Requirements)
 PIN 4 Black: Microswitch Common
 PIN 5 Blue: Microswitch N.O.
 Contact
 PIN 6 Grey: Microswitch N.C.
 Contact

Wire Length: 150mm (5.90) with
 connector

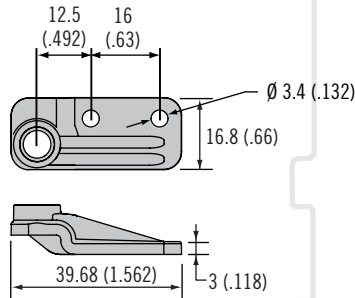
Contact Southco for mate connector
 and wire harness

Notes

For mechanical release actuators
 and cables contact Southco
 Parts are shipped individually boxed.
 For bulk packaging add -1 to the
 end of the part number (40 per box)

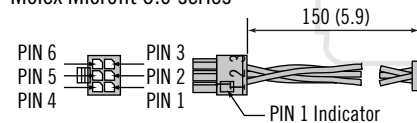


Mounting Kit Screws Included (Part Number R4-EM-72)



Latch Connector

Molex Microfit 3.0 series



Available without connector with 430mm (16.9in) length wires (stripped and tinned). Contact Southco for details.

R4-EM Light Duty Latch Part Number		
	No Microswitch	With Microswitch
	With connector	With connector
$\varnothing 5.5$ (.22) Thru hole mounting	R4-EM-X3-131	R4-EM-X3-161
M5 Threaded mounting	R4-EM-X4-131	R4-EM-X4-161
10-24 Threaded mounting	R4-EM-X5-131	R4-EM-X5-161
Striker Bolt Part Number		
Striker bolt	R4-90-511-20	

X=4 for Auto Re-lock version
 X=6 for Delayed Re-lock version

Dimensions in millimeters (inch) unless otherwise stated

Other options available. For complete details
 on variety, part numbers, installation and
 specification, go to



www.southco.com/R4-EML



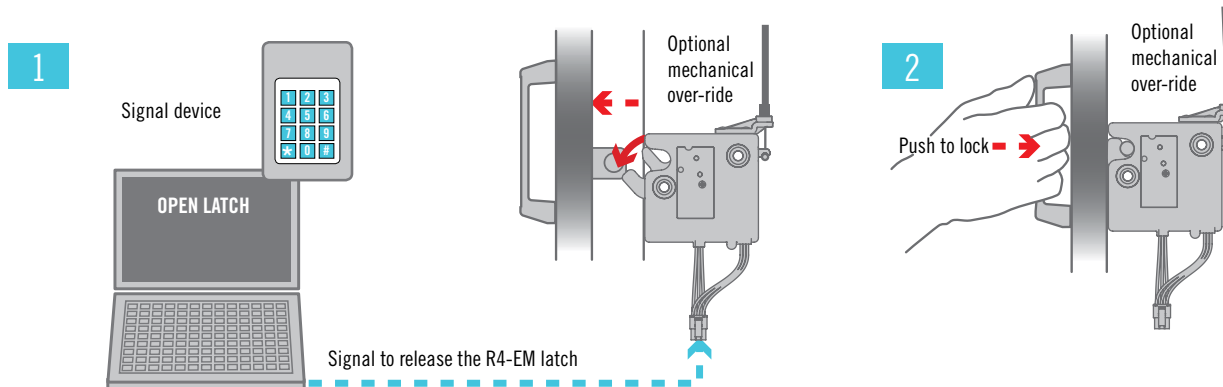
R4 EM Light Duty Electronic Rotary Latch

Electronic access

Operation

Auto Re-lock Version

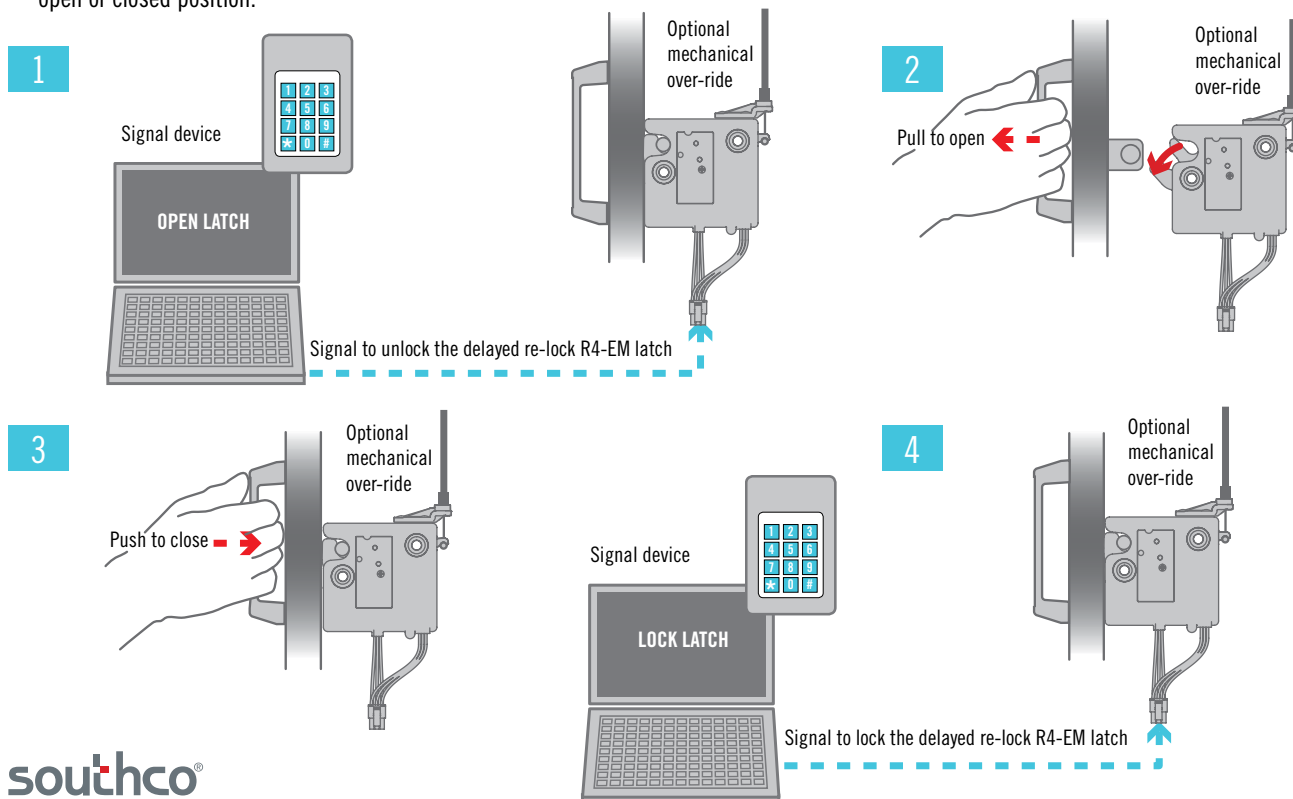
1. The signal momentarily unlocks and releases the spring loaded cam which rotates out to push a lightweight door open. The latch then immediately returns to the locked state ready to re-lock upon closing
2. Push door closed to engage striker with the R4-EM latch



Delayed Re-Lock R4EM

Use the Delayed re-lock version for heavier doors that will not kick open or where remote lock/unlock manual door opening is preferred over a pop open style.

1. The signal unlocks the R4-EM latch leaving a biased closed door in the closed position.
2. Manually pull door/striker free from R4-EM latch
3. Manually push door closed. Striker will rotate cam to closed position, however latch will remain unlocked and can be re-opened as long as signal is present
4. After accessing the door, the signal can be removed to re-lock the R4-EM. This can be done with the door in the open or closed position.





The proven global leader in engineered access solutions

The advantage of 60 years of engineered access hardware and fastener experience lies in our cumulative applications knowledge and engineering expertise that make our broad range of existing solutions possible. In addition, our global manufacturing resources benefit OEMs and CEMs worldwide - no matter where they design, assemble, or sell. Southco offers flexibility and fast response:

- **Engineering assistance on your schedule.** Southco engineering resources in three key regions - North America, Europe, and Asia-Pacific - provide easy access to more than 150 design and sales engineers globally.
- **Quick turnaround, on your timetable.** 14 strategically located Southco manufacturing, assembly, and stocking facilities - in 8 countries across 4 continents - shorten lead times, lower shipping costs, and improve scheduling.
- **Extensive capabilities for your benefit.** In-house resources - stamping, die-casting, cold-heading, roll-forming, turning, injection-molding, and assembly - at Southco Centers of Excellence around the world transform raw stock into polished solutions.
- **Personal assistance, as you need it.** The 24/7 availability of experienced Southco personnel - regardless of geographic location - delivers the timely attention you require.

Whatever your access hardware needs, no one offers more. Contact a Southco representative today, to discover all the possibilities.



Global Corporate Headquarters & Customer and Technical Support Center Concordville, PA · USA

Tel: (1) 610 459 4000
Fax: (1) 610 459 4012

Canada Tel: (1) 905 855 0309
Mexico Tel: (1) 877 821 0666

Manufacturing & Stocking Locations

Chihuahua, Mexico
Concordville, Pennsylvania
Honeoye Falls, New York
Tecate, Mexico
Rockledge, Florida

Europe Customer & Technical Support Center Worcester · UK

Tel: (44) (0) 1905 346722
Fax: (44) (0) 1905 346723

Austria Tel: 0800 281 831
France Tel: 0800 912 756
Germany Tel: 0800 1800 380
Italy Tel: 800 780 953
Spain Tel: 900 968917
Sweden Tel: 020 790 366
UK & NI Tel: 0845 117 9222

Manufacturing & Stocking Locations

Farnham, UK
Worcester, UK

Asia Customer & Technical Support Center Hong Kong · China

Tel: (852) 3127 1503 · Fax: (852) 3127 1541

China Tel: 800 820 0272
Japan Tel: 00531 121672
Korea Tel: 0505 777 1234
Malaysia Tel: 1800 801 119
Singapore Tel: 800 18 11016
Taiwan Tel: 0800 558 015

Australia Customer Service and Distribution Center Tullamarine · Victoria 3043 · Australia

Tel: (61) 03 9330-5000 · Fax: (61) 03 9330 - 5099

India Customer Service and Technical Support Center Taluka Shirur · Pune 412208 · India

Tel: (91) (21) 3867 0538 · Fax: (91) (21) 3867 0588

Manufacturing & Stocking Locations

Hong Kong, China Shanghai, China
Melbourne, Australia Shenzhen, China
Pune, India Tokyo, Japan
Seoul, South Kor