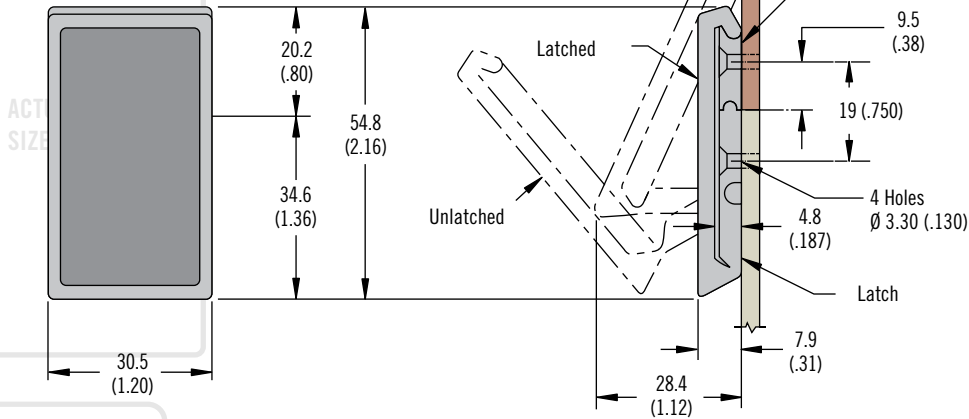


07 Draw Latch

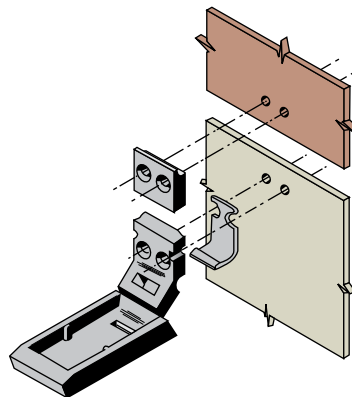
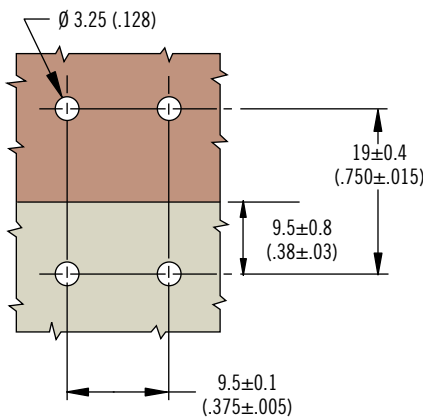
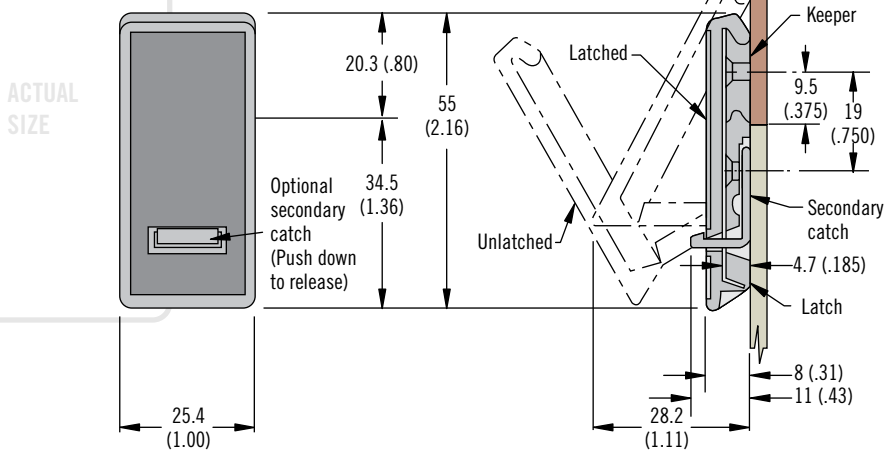
Over-center · Living hinge



Standard Style



Secondary Catch Style



- Low profile one piece molded latch
- Concealed mounting
- Secondary catch option to prevent accidental opening

Material and Finish

Polypropylene black or white
Secondary catch: acetal black or red

Performance Details

Max. working load:
Standard: 445 N (100 lbf)
Secondary catch: 310 N (70 lbf)
Operating temperature range:
0°C (32°F) to 65°C (150°F)
Flammability rating: UL94-HB

Installation Notes

Install assembly with four Ø 3 (.125) flat head rivets or M3 (No. 4) flat head screws (not supplied)

B Base type

- 2 Standard
- 5 Secondary catch

F Finish

- 11 White (standard only)
- 12 Black (standard only)
- 70 Black with red secondary catch
- 72 Black with black secondary catch

07 - 10 - **B** 01 - **F**