

CABIN & COCKPIT ENTRY HARDWARE

ME Offshore Swing Door Latch

A



DOOR THICKNESS RANGE:

Mortise Mount: 18 - 37mm (11/16" - 1-1/2")

Flush Mount: 12.7 - 21mm (1/2" - 7/8")

The Offshore is available for both mortise- and flush-mount installations. It features a variety of options to customise the lock to your application requirements. Standard features include:

- All marine-grade materials for corrosion resistance
- Offshore flush-mount is designed to fit thinner doors (from 12.7mm / 1/2")
- Interior Privacy Lock with exterior override
- 14mm (9/16") spring-bolt travel allows for large variations between door and frame
- For custom and matching key codes please contact Southco Marine

Available Options:

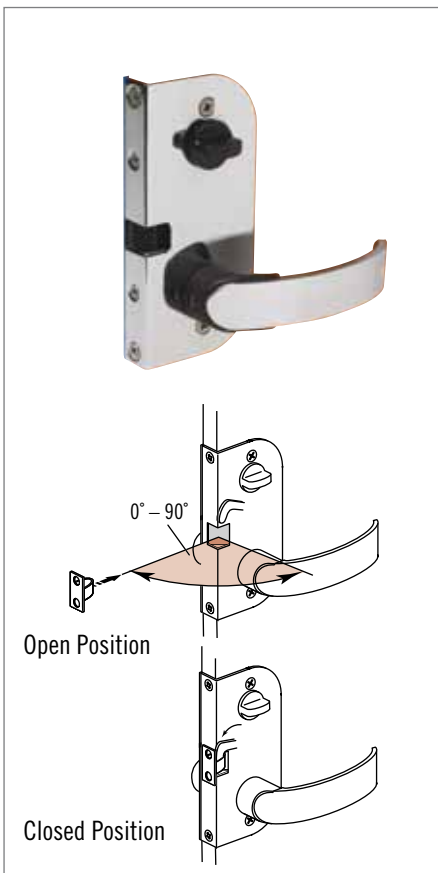
Finish: Five finish options to suit your styling needs: Aluminium, Brass, Black, Chrome and White.

Keylock: Optional from the exterior.

Accessories:

Doorkeeper: Used to hold door open, see page 17.

ME Curved OFFSHORE Swing Door



DOOR THICKNESS RANGE: 12.7 - 25.4mm (1/2" - 1")

By adding optional spacers, the door thickness can be reduced to 8mm (5/16").

The Curved Offshore is designed for both sliding and swing doors, as well as double doors and curved doors. This unique locking system works in any angle between a sliding and swing door.

It features:

- All marine-grade materials for superior corrosion resistance
- Interior Privacy Lock with exterior override
- For custom and matching key codes please contact Southco Marine

Available Options:

- Finish: Chrome, Aluminium, Diamond Brass. Keylock: Exterior
- Door Thickness: For doors thicker than 25.4mm please contact Southco
- Operation: Left- or Right-hand swing

Accessories:

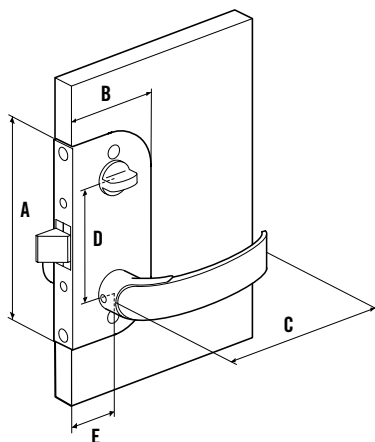
Spacer: Spacer available to accept thinner door thickness.

Doorkeeper: Used to hold door in open position, see page 17.



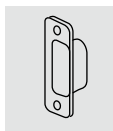
CABIN & COCKPIT ENTRY HARDWARE ME Offshore Flush Version

	Imperial		Metric
	Nominal	Decimal	
A	4 37/64	4.587	116.5
B	2 5/32	2.165	55
C	3 15/16	3.937	100
D	2 7/16	2.441	62
E	1 3/16	1.181	30



A

For strikers
see page 23



L Locking Option

- 0 Privacy
- 1 Key Locking

ME - 01 - D L T - FF

FF Finish

- 10 Chrome
- 40 Diamond brass
- 50 Black
- 60 Aluminium
- 70 White

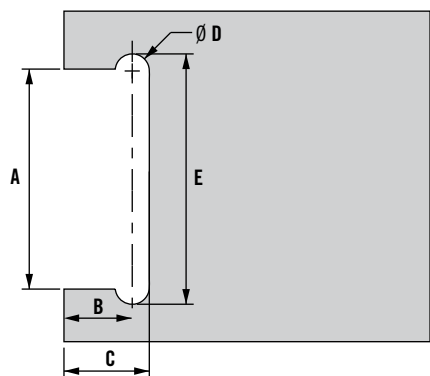
T Door Thickness

- 0 12.5 - 15mm (1/2" - 5/8")
- 1 14.5 - 17mm (9/16" - 11/16")
- 2 17 - 19mm (11/16 - 3/4")
- 3 19 - 21mm (3/4 - 7/8")

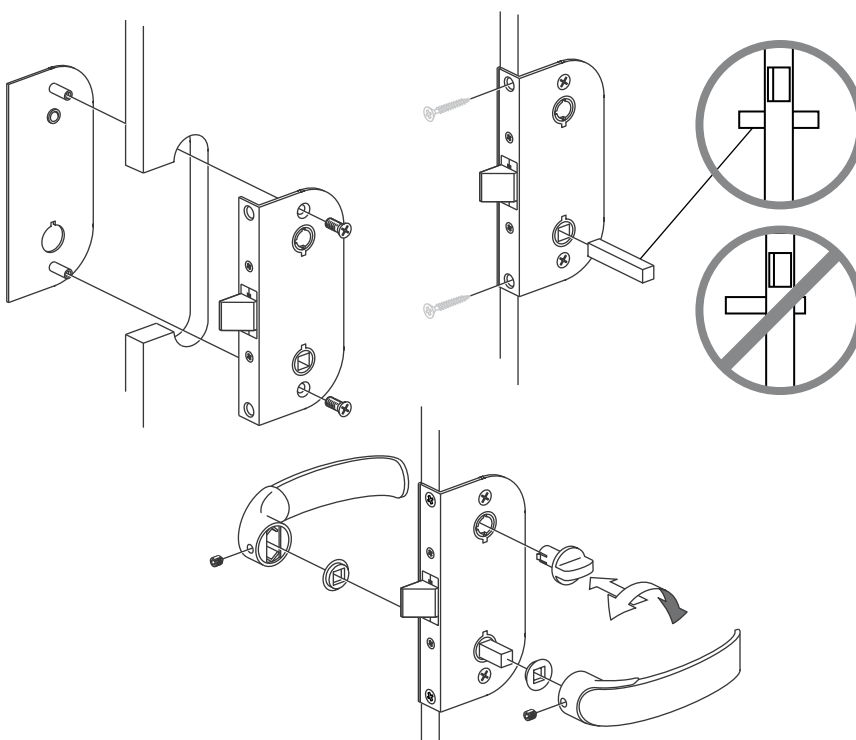
D Directional

- 2 Right Out
- 3 Right In
- 4 Left Out
- 5 Left In

Panel Preparation



	Imperial		Metric
	Nominal	Decimal	
A	3 21/32	3.65	93
B	1 3/32	1.09	28
C	1 21/32	1.65	42
D	1 3/32	1.09	28
E	4 1/32	4.00	102

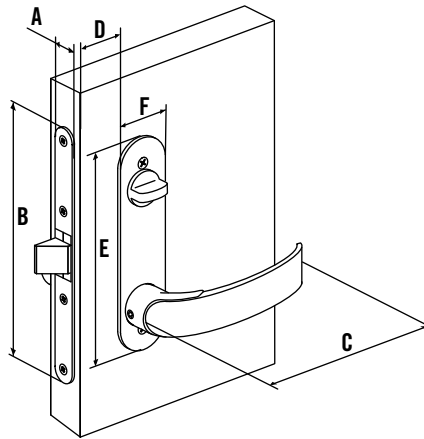


CABIN & COCKPIT ENTRY HARDWARE

ME Offshore Mortise Version

A

Chrome Mortise Mounted, Privacy



	Imperial		Metric
	Nominal	Decimal	
A	31/64	.492	12.5
B	5 5/16	5.312	135
C	3 15/16	3.937	100
D	39/64	.610	15.5
E	4 37/64	4.587	116
F	1 3/16	1.181	30

Part Number Selector

L Locking Option
 0 Privacy
 1 Key Locking

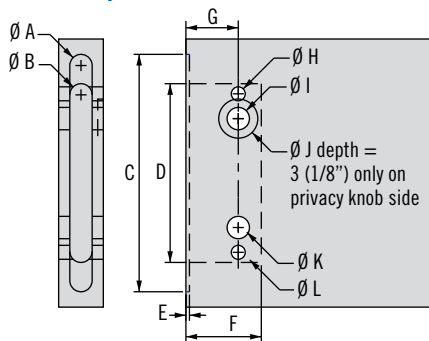
D Directional
 2 Right Out
 3 Right In
 4 Left Out
 5 Left In

FF Finish
 10 Chrome
 40 Diamond brass
 50 Black
 60 Aluminium
 70 White

T Door Thickness
 4 18 - 22mm (11/16" - 7/8")
 5 22 - 27mm (7/8" - 1 1/16")
 6 27 - 32mm (1 1/6" - 1 1/4")
 7 32 - 37mm (1 1/4" - 1 1/2")

ME - 02 - D L T - FF

Panel Preparation



	Imperial		Metric
	Nominal	Decimal	
A	1/2	.5	12.5
B	1/2	.5	12.5
C	5 5/16	5.312	135
D	4	4	102
E	1/16	.062	1.5
F	1 11/16	1.687	43
G	1 11/64	1.171	30
H	5/16	.313	8
I	1/2	.5	12
J	7/8	.875	22
K	1/2	.5	12
L	5/16	.313	8

Installation Mortise Mount

1. Insert the lock body into the door.
2. Attach the handle and lock body to the door.
3. Attach the handle and lock body to the door.
4. Attach the handle and lock body to the door.
5. Attach the handle and lock body to the door.

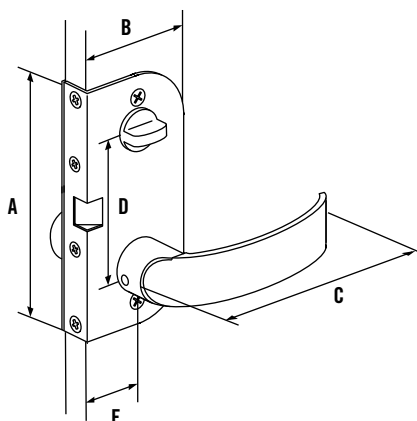
For strikers see page 23



CABIN & COCKPIT ENTRY HARDWARE

ME Offshore Curved Version

	Imperial		Metric
	Nominal	Decimal	
A	4 37/64	4.587	116.5
B	2 5/32	2.165	55
C	3 15/16	3.937	100
D	2 7/16	2.441	62
E	1 3/16	1.181	30



Curved Offshore

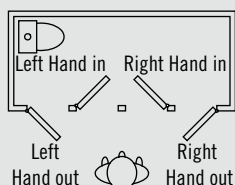


A

Part Number Selector

L Locking Option

- 0 Privacy
- 1 Key Locking



D Directional

- 6 Right Out / Left In
- 7 Left Out / Right In

FF Finish

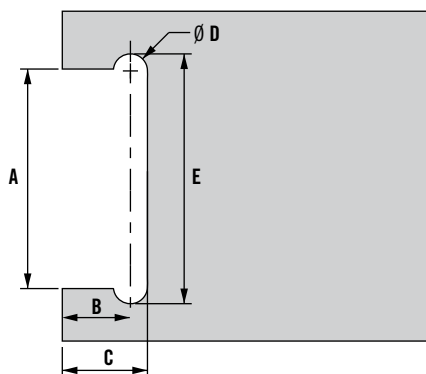
- 10 Chrome
- 40 Diamond brass
- 60 Aluminium

ME - 03 - **D** **L** **T** - **FF**

T Door Thickness

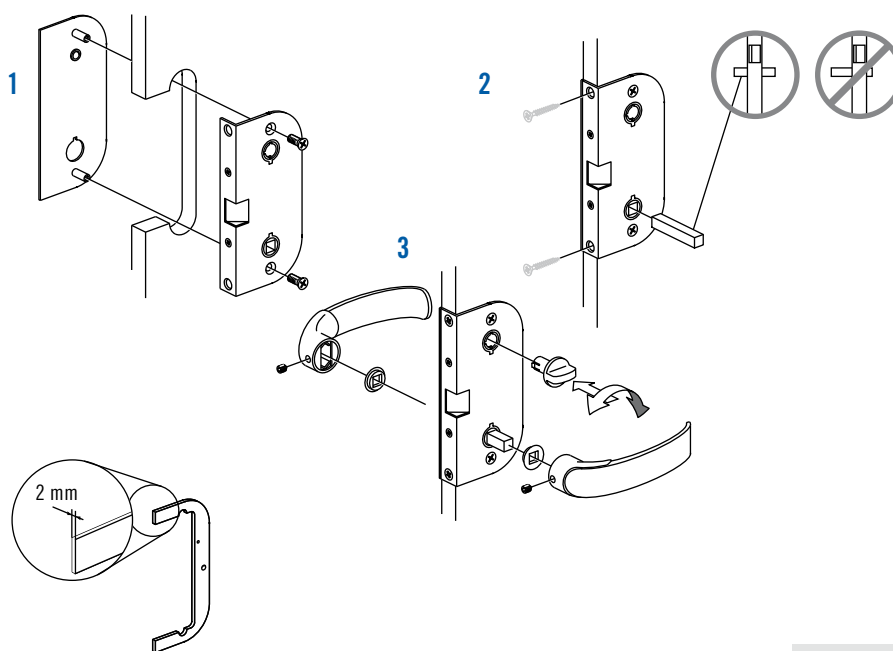
- For thinner doors please add below spacer
- 1 12.7mm (1/2")
 - 2 19mm (3/4")
 - 3 25.4mm (1")

Panel Preparation



	Imperial		Metric
	Nominal	Decimal	
A	3 21/32	3.65	93
B	1 3/32	1.09	28
C	1 21/32	1.65	42
D	1 3/32	1.09	28
E	4 1/32	4.00	102

Installation



SPACER PART NUMBER	
Chrome, 2 mm (5/64")	ME-R8362

For strikers see page 23

