



ARCONIC

Maintenance-Free Fasteners for Trucks and Trailers



HUCK[®]



Huck® Fasteners

The Standard for Maintenance-Free Truck and Trailer Fastening

For over 30 years, the Huck® brand has set the standard for joining technology with a range of vibration-resistant, maintenance-free fastener options. From shock mount and suspension member installations on trucks to floor and subframe assemblies on trailers, Huck fasteners provide the industry's most advanced fastening solutions. Huck fasteners are 100% maintenance-free. No re-checking. No re-torquing. No re-tightening. Ever. So, a truck or trailer that is assembled using Huck fasteners represents a better value, delivers better life cycle value through, reduced warranty claims, and longer life.

Not Just Manufactured. Huck®-Engineered

Unlike conventional nuts and bolts, HuckBolts® and structural blind rivets are the result of advanced engineering and manufacturing processes. These fasteners are designed and manufactured to the highest standard of quality — providing clamp, tensile strength, fatigue strength, and vibration resistance that is unmatched by any other fastener.



Wide Range of Fastening Applications

You'll find fasteners from Arconic Fastening Systems (AFS) in a number of critical areas of trucks and trailers. In truck chassis, swaged HuckBolts ensure the long-term joint integrity of shock mounts, suspension members, ladder assemblies, and 5th wheel angles. And they never require inspection, re-tightening or re-torquing.

For trailers, AFS offers a broad range of fasteners including HuckBolts and both structural and non-structural blind fasteners for the assembly of subframes, kick rails, various panels, roof assemblies, and floors. Each of these fasteners delivers the industry's best combination of clamp, tensile strength, and zero-maintenance performance.

Fasteners for Truck and Trailers

Arconic Fastening Systems, provides the industry with a wide range of large and small diameter fasteners for a wide range of applications.



BobTail®

The BobTail® continues the HuckBolt tradition by delivering both high clamp and tensile strength, and never loosening even in the highest vibration environments.



Huck-Spin 2®

Evolution of the original Huck-Spin® Fastener. Allows for longer tool life with improved installation speed.



U-Spin®

The U-Spin® provides the same level of clamp and tensile strength as a traditional HuckBolt, but in a “U-Bolt” design. And unlike conventional U-Bolts, the U-Spin never needs re-tightening or re-torquing.



HuckLok®/Auto-Bulb™/ Magna-Bulb®

These structural rivets combine a wide grip range with the high shear and tensile strength of a structural fastener. These proprietary fasteners also offer a large blind-side footprint, which makes them ideal for use with lower strength materials or thin sheet joints.



BOM®

The BOM® is a high-strength blind bolt offering an alternative to threaded fasteners or welding. Its large blind side footprint makes it ideal for lower strength or thin sheet joint materials.



Hucktainer®

The Hucktainer® is uniquely engineered for use in structures fabricated from fiberglass reinforced plywood, metal-clad panels, and other composite materials. Because they're designed to distribute force over a wide area, they won't crush, craze, or bull-nose composite panels.



FloorTight®

FloorTight® blind fasteners are significantly stronger and install more consistently than conventional flooring screws. This eliminates the possibility of crushing or pulling through the board. FloorTight fasteners also feature a recessed pinbreak.



Magna-Lok®

Magna-Lok® is a hole-filling fastener that can be installed with conventional installation tools. It has a unique circle-lock feature, which means a simple visual inspection ensures it is installed properly, 100% of the time. Magna-Lok is moisture-resistant, and is available in steel, stainless steel, or aluminum.



Magna-Grip®

Huck® Magna-Grip® is the ideal fastener where a wide grip range is required and a flush bolt break to the collar is beneficial.

In addition to the Huck brand, Arconic Fastening Systems offers a broad selection of specialty fasteners.



Marson® Blind Rivets

Marson® blind rivets are available in Buttonhead, Large Flange, and Countersunk head styles in sizes ranging from 3/32” to 1/4”. Marson Rivet Nuts provide low-cost, permanent thread replacement and are available in a variety of styles, sizes, and materials.



Keysert® Solid Inserts

Keyserts are solid, one-piece, key-locking inserts used to repair damaged threads or for use in original equipment. The Keysert® locking keys provide a positive mechanical lock which prevents rotation due to vibration or torsion. Keyserts are available in carbon or stainless steel, both in inch and metric series.



Recoil® Threaded Inserts

Recoil® threaded inserts deliver positive locking performance and long thread life in even the most vibration-intensive applications.

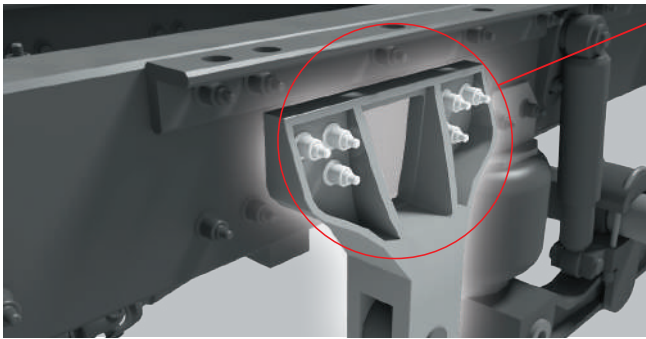


Camloc®

Camloc® quick-release fasteners are available with a choice of 1/4 turn, push-turn or push-push operation. Camloc draw latches provide an adjustable, durable method for securing parts that are open or removed frequently.

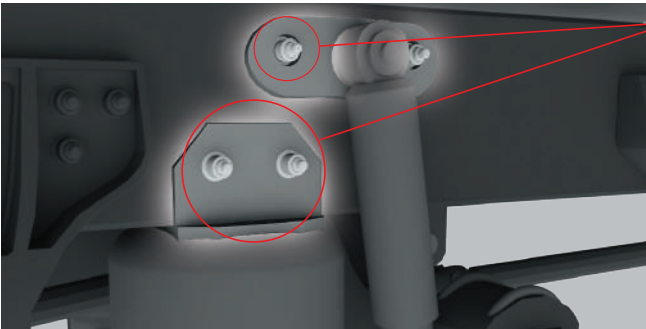
Truck and Chassis Applications

HuckBolts are proven to contribute to the overall strength, durability and performance of the vehicle throughout its lifetime. The examples below are just a few of the critical applications where HuckBolts have proven themselves, time and again. Trucks and chassis both benefit from the use of HuckBolts in several critical applications, ultimately reducing warranty claims and providing maintenance-free performance.



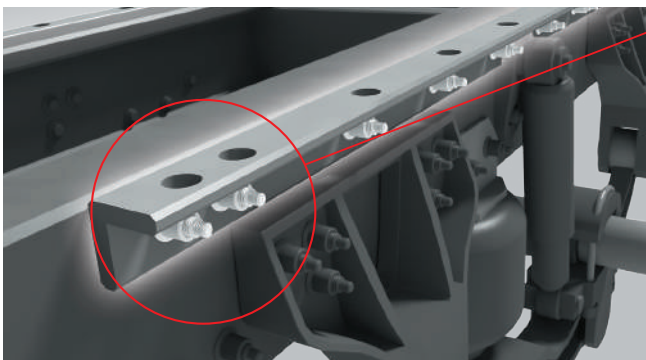
Suspension Members

It would only take one loose fastener to lead to a cracked suspension hanger alignment problem or worse. In this critical application, HuckBolts provide strong, durable joints that in turn, provide peace-of-mind.



Air Bag & Shock Mounts

Since HuckBolts provide unmatched shock and impact absorption, air bags and shocks mounted using these fasteners offer a much higher level of impact resistance.



Fifth Wheel Angle Assembly

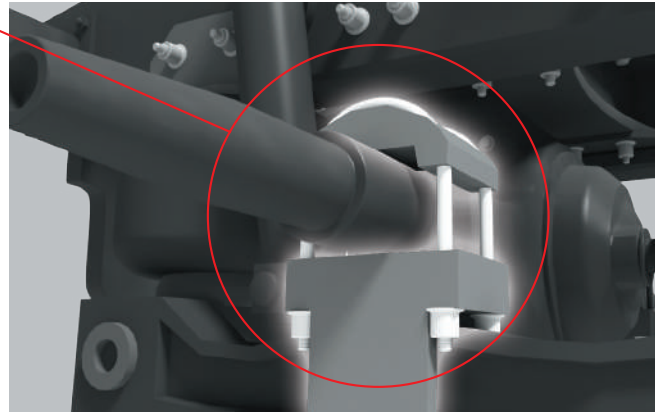
The security of the truck/trailer connection is highly dependent upon the integrity of the fasteners that connect the two. Vibration-resistant Huck fasteners act as permanent components, making the fifth wheel an extension of the frame itself.





Axle Connection

Traditional U-bolts must be maintained at 10,000 and 50,000 miles. In contrast, the Huck U-Spin provides a permanent joint and never requires re tightening or re touring.

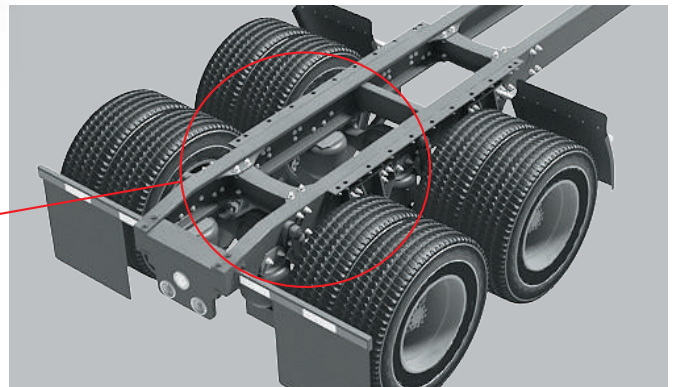


Truck Cab

In truck cab applications, Magna-Lok, HuckLok and Magna-Grip provide maintenance-free joints for many different components- including storage compartments, vent openings, door and floor structures, skin reinforcements and firewall assembly. Using Huck lock bolts and blind fasteners reduces cost and assembly time while eliminating safety issues of welding.

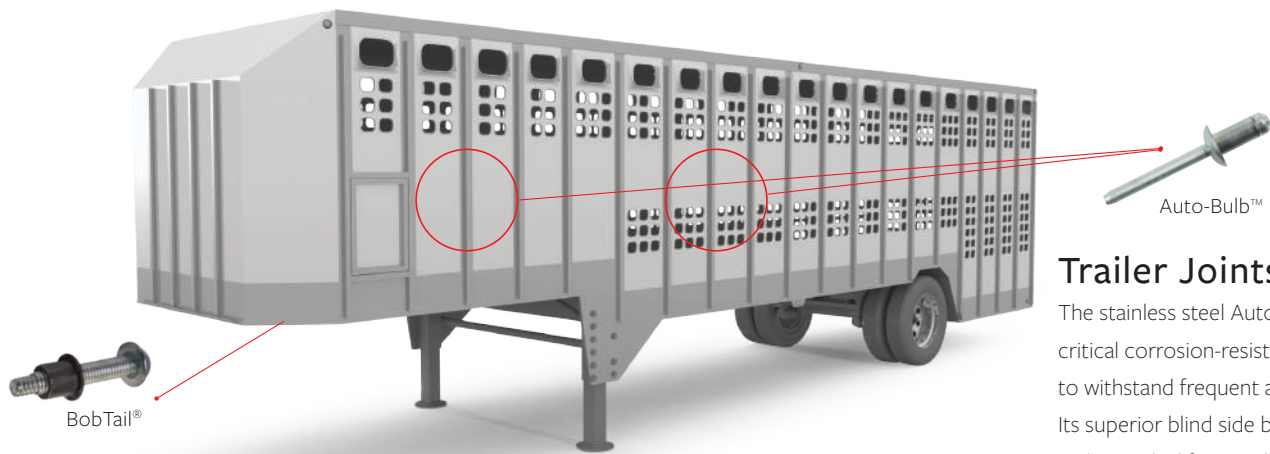
Ladder Assembly

In this application, HuckBolts ensure the frame performs as a single, one-piece unit. The built-in strength provided by these fasteners greatly reduces maintenance and extends the life of the truck.



Trailer Applications

The structural integrity of any trailer is dependent on the strength of the fasteners. HuckBolts provide joint strength and overall durability to a variety of common trailer assembly applications, as shown below. No matter the industry, Huck fasteners are built to last, offering maintenance-free long life, and fewer warranty claims.



Cross Members

Cross members provide significant structural support, and when fastened with the Huck BobTail, you can be sure the support will be as strong as possible. BobTail's high structural strength and proven durability adds to the service life of any trailer design.

Trailer Joints

The stainless steel Auto-Bulb offering critical corrosion-resistance, is designed to withstand frequent acid washing. Its superior blind side bulbing action makes it ideal for installation within thin materials as well as, oversized, misaligned, or slotted holes.

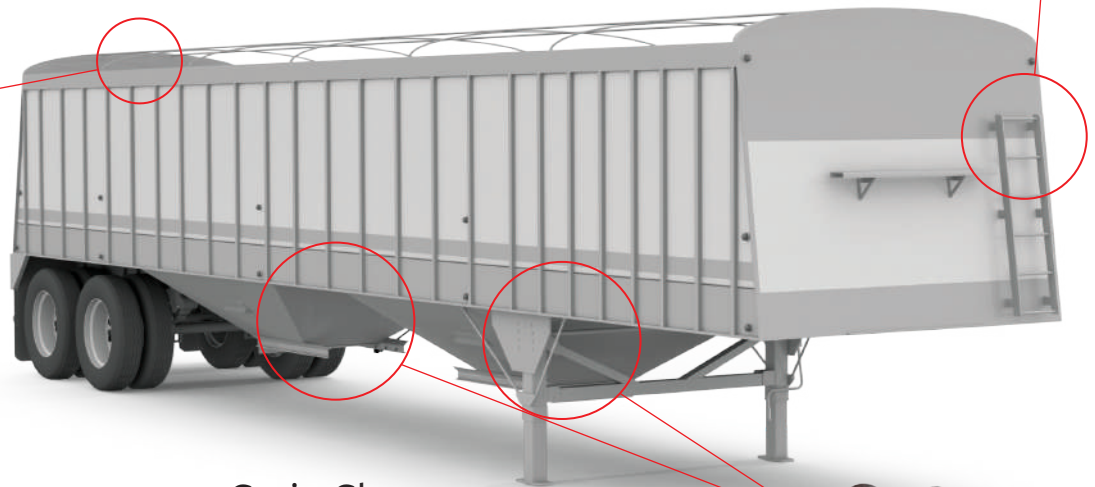
Ladder Attachment

The Huck BOM's combination of high shear capacity and tensile force ensures the long-term integrity of this critical joint.



Top Rail

The solid circle-lock feature of the Magna-Lok ensures quick and sure installation, while its moisture- and vibration-resistant characteristics help guarantee the joint will provide reliable service for the life of the trailer.



Grain Chute

The stainless steel BobTail, with a polished head is designed to keep chute seams tight, eliminating lost product.

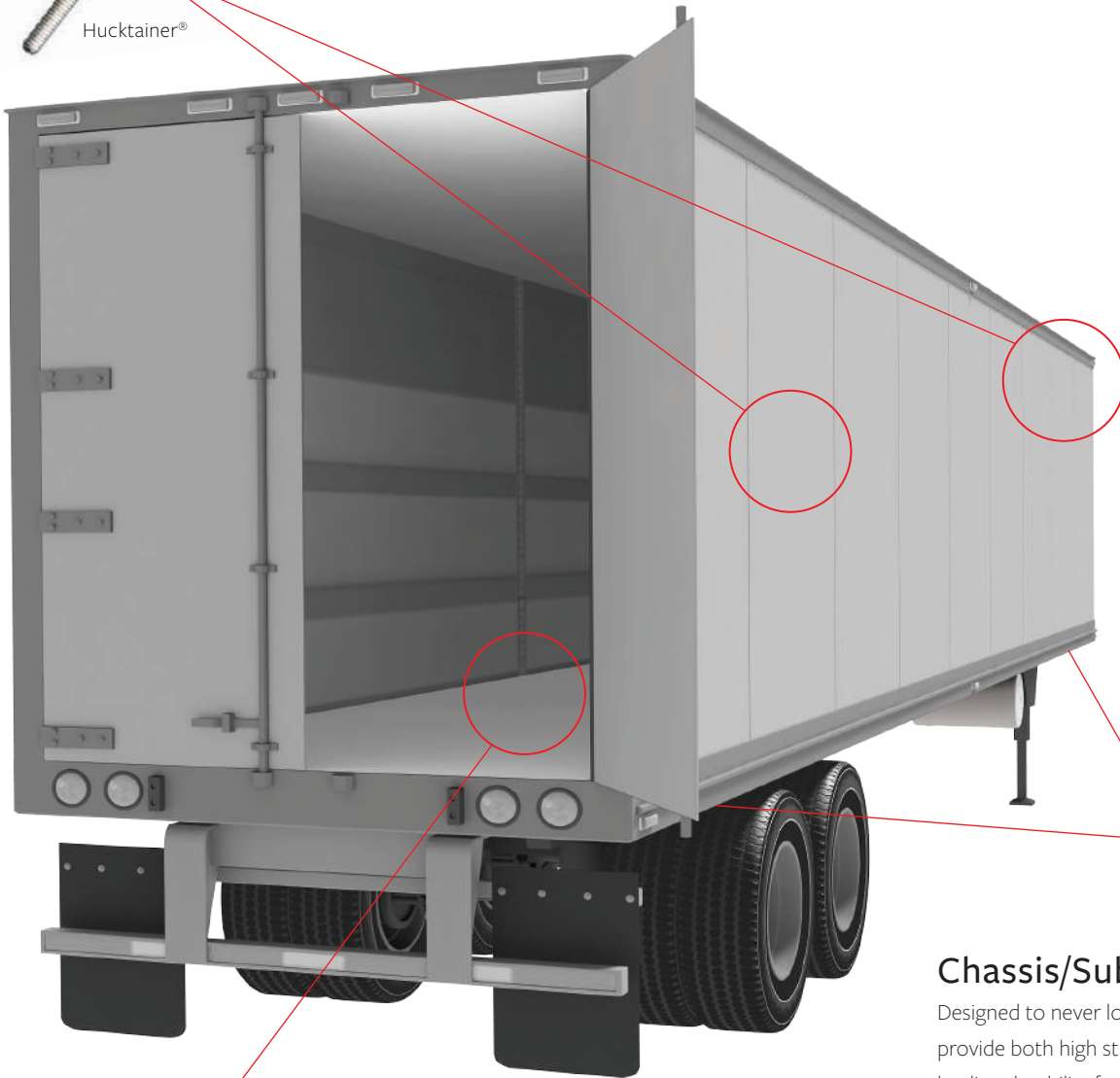




Hucktainer®

Metal-Clad Panels

The Hucktainer swaged lockbolt contributes a high degree of strength and vibration-resistance, whether used with sheet metal, fiberglass reinforced plywood, or metal-clad panels.



BobTail®

Chassis/Subframe Assembly

Designed to never loosen, BobTail HuckBolts provide both high structural strength and industry leading durability for critical subframe-to-chassis assemblies.



FloorTight®

Floor

The proprietary Floortight blind rivet provides superior strength and vibration resistance, adding to the life and durability of the trailer floor.

Arconic Fastening Systems



Arconic Inc. (NYSE: ARNC) creates breakthrough products that shape industries, providing solutions to complex engineering challenges to transform the way we fly, drive, build, and power. Combining ingenuity and advanced manufacturing, we deliver products that meet the challenges and demands faced by our customers.

Arconic Fastening Systems, formerly Alcoa Fastening Systems & Rings, is a global leader in fastening technology. Offering the greatest breadth and depth of fastening system solutions in the industry, Arconic continues to reflect the same commitment to product quality and support that customers have come to expect. To serve its growing market, Arconic Fastening Systems maintains corporate offices worldwide. In addition, Arconic distributors are located in many key industrial centers throughout the world, providing a ready supply of fasteners, installation tools, tool parts, and application assistance.

Americas

Waco Operations
8001 Imperial Drive
Waco, TX 76712, USA
P.O. Box 8117
Waco, TX 76714-8117, USA
Tel: +1 800 388 4825
Fax: +1 800 798 4825

Kingston Operations
1 Corporate Drive
Kingston, NY 12401, USA
Tel: +1 800 278 4825
Fax: +1 845 334 7333

Tracy Operations
1925 North MacArthur Drive
Tracy, CA 95376, USA
Tel: +1 800 826 2884
Fax: +1 800 573 2645

Carmel Operations
14300 Clay Terrace Blvd.
Suite 250
Carmel, IN 46032, USA
Tel: +1 800 826 2884
Fax: +1 800 573 2645

Tacubaya Operations
Avenida Parque Lira
79-402 Tacubaya
Mexico C P 11850
Tel: +52 55 5515 1776
Fax: +52 55 5277 7564

São Paulo Operations
Av. Nações Unidas, 12.901
Torre Oeste, 3º andar
São Paulo – SP – Brasil
04578-000
Tel: +55 0800 015 9888
Fax: +55 11 5509 0200

International Locations

Kolkata Operations
Unit no. 28, Chowringhee Court
55/1, Chowringhee Road
Kolkata – 700071
India
Tel: +91 33 4069 9170/80
Fax: +91 33 4069 9184

Tokyo Operations
Arconic Japan Ltd.
#1013 NBF Hibiya Bldg, Uchisaiwai-cho,
Chiyoda-ku
Tokyo 100-1011
Japan
Tel: +81 3 3539 6577
Fax: +81 3 3539 6585

Melbourne Operations
1508 Centre Road
Clayton, Victoria, 3168
Australia
Tel: +61 3 8545 3333
Fax: +61 3 8545 3390

Suzhou Fasteners Operations
58 Yinsheng Road, Shengpu
Suzhou Industrial Park
Suzhou Jiangsu 215126
China
Tel: +86 0512 62863800-8888
Fax: +86 0512 62863810

Telford Operations
Unit C, Stafford Park 7
Telford, Shropshire TF3, 3BQ
United Kingdom
Tel: +44 1952 2900 11
Fax: +44 1952 2904 59

St. Cosme Operations
9 rue de Cressonnieres
72110 Saint Cosme en Varais
France
Tel: +33 0 2 43 31 41 00
Fax: +33 0 2 43 31 41 41

Kelkheim Operations
Industriestr. 6
65779 Kelkheim
Germany
Tel: +49 (0) 6195 8050
Fax: +49 (0) 6195 2001



afshuck.net
[YouTube.com/AFSIndustrial](https://www.youtube.com/AFSIndustrial)

The information contained in this publication is only for general guidance, and is not intended to create any warranty, express, implied, or statutory; all warranties are contained only in AFS's written quotations, acknowledgments, and/or purchase orders. It is recommended that the user secure specific, up-to-date data and information regarding each application and/or use of such products.



ARCONIC