

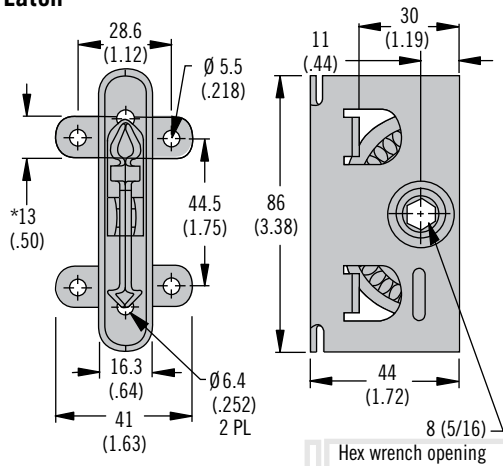


# R2 Draw Latch

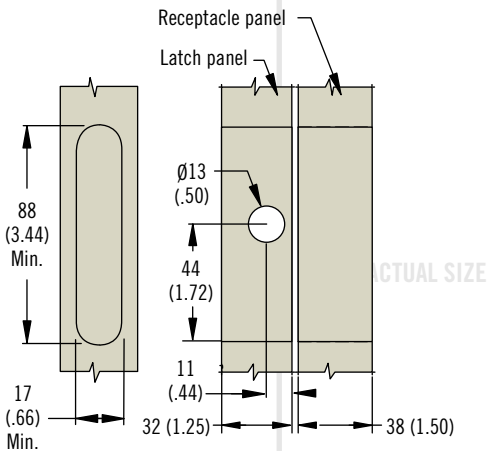
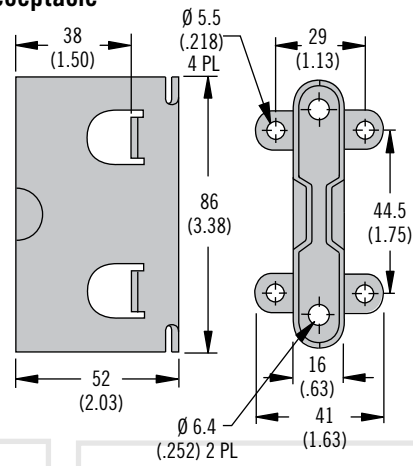
## Concealed · Deep tab



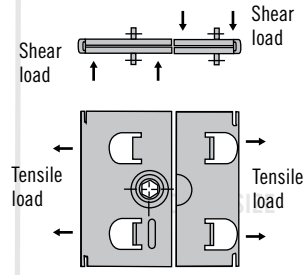
### Latch



### Receptacle

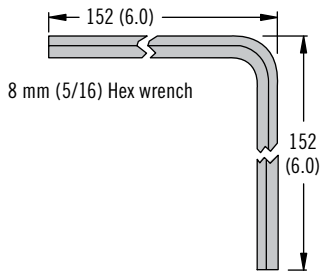


\* Typical on latch and receptacle



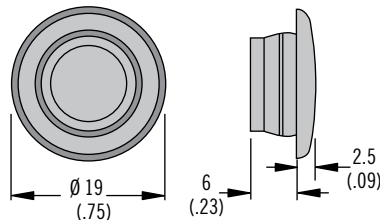
### Accessories

#### Actuation Tool



#### Hole Plugs

Optional hole plugs to conceal actuator access hole are available for a 13 (.50) diameter hole



- High tensile load
- Adjustable pull-up
- Suited for thick panels

### Material and Finish

Steel, zinc plated

### Performance details

Average ultimate tensile load:  
6200 N (1400 lbf)

Average ultimate shear load:  
8900N (2000 lbf)

### Installation Notes

Install assembly with  $\varnothing 5 (.205)$  rivets or M5 (No. 10) screws (not supplied)

### Accessories

Actuation Tool

Part number: 29-0059-02

Hole Plugs

Part number:

White: T5-7075-000

Black: T5-7075-028

Part Number	
Latch	R2-0169-02
Receptacle	R2-0160-02

### Part Number

See table

Order latch and keeper separately



# R2 Draw Latch

## Concealed · Mortise

- High tensile load
- Adjustable pull-up
- Suited for mortise or side mount installation

### Material and Finish

Steel, zinc plated

### Performance Details

Average ultimate tensile load:  
6200 N (1400 lbf)

Average ultimate shear load:  
8900 N (2000 lbf)

### Installation Notes

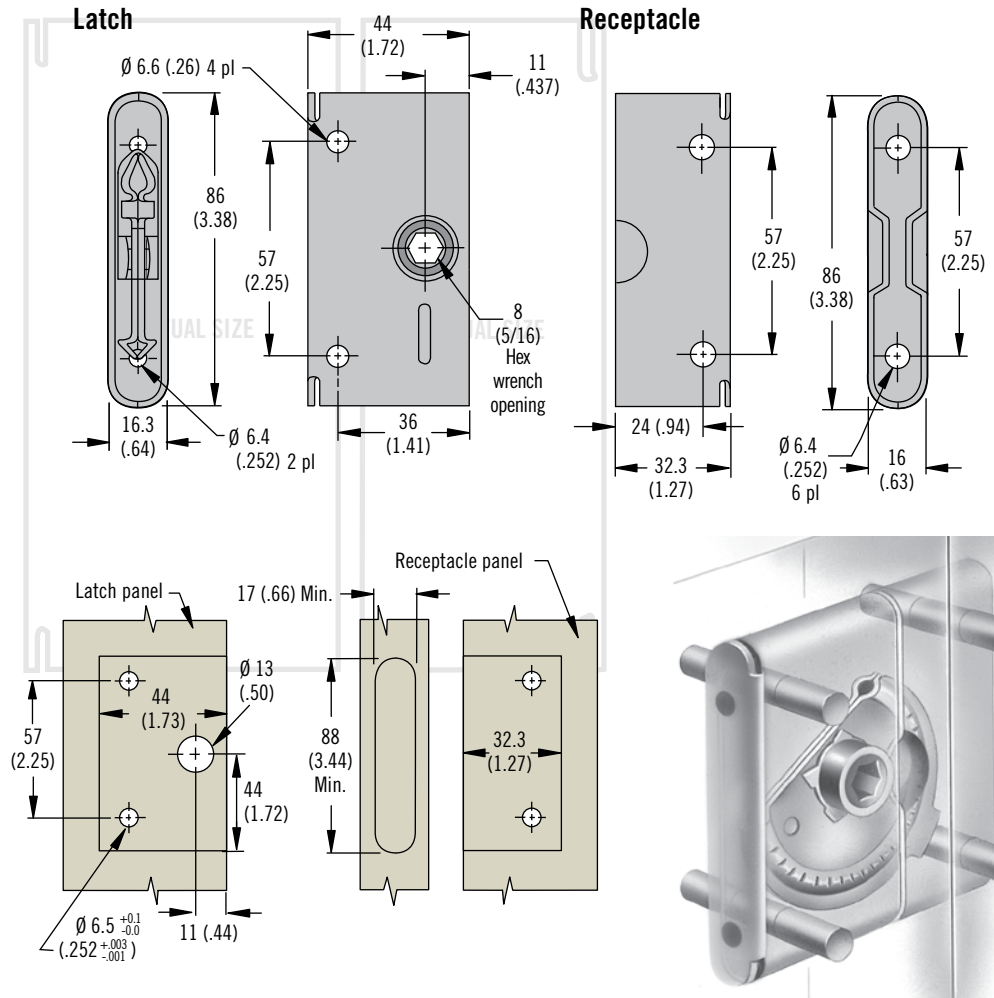
Install assembly with  $\varnothing 6$  (1/4) rivets or M6 (1/4) screws (not supplied).

A 1.6 (.06) gap should be maintained between latch and receptacle.

### Accessories

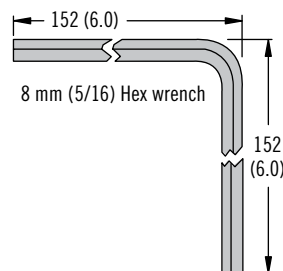
Actuation tool  
Part number: 29-0059-02

Hole plugs  
Part number:  
White: T5-7075-000  
Black: T5-7075-028



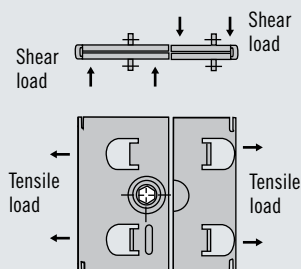
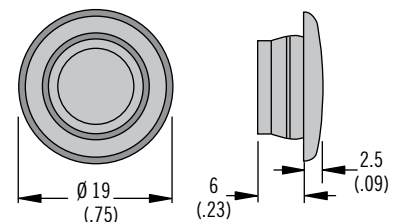
### Accessories

#### Actuation Tool



#### Hole Plugs

Optional hole plugs to conceal actuator access hole are available for a 13 (.50) diameter hole



### Part Number

See table

Order latch and keeper separately

Part Number	
Latch	R2-0055-02
Receptacle	R2-0002-02

Dimensions in millimeters (inch) unless otherwise stated

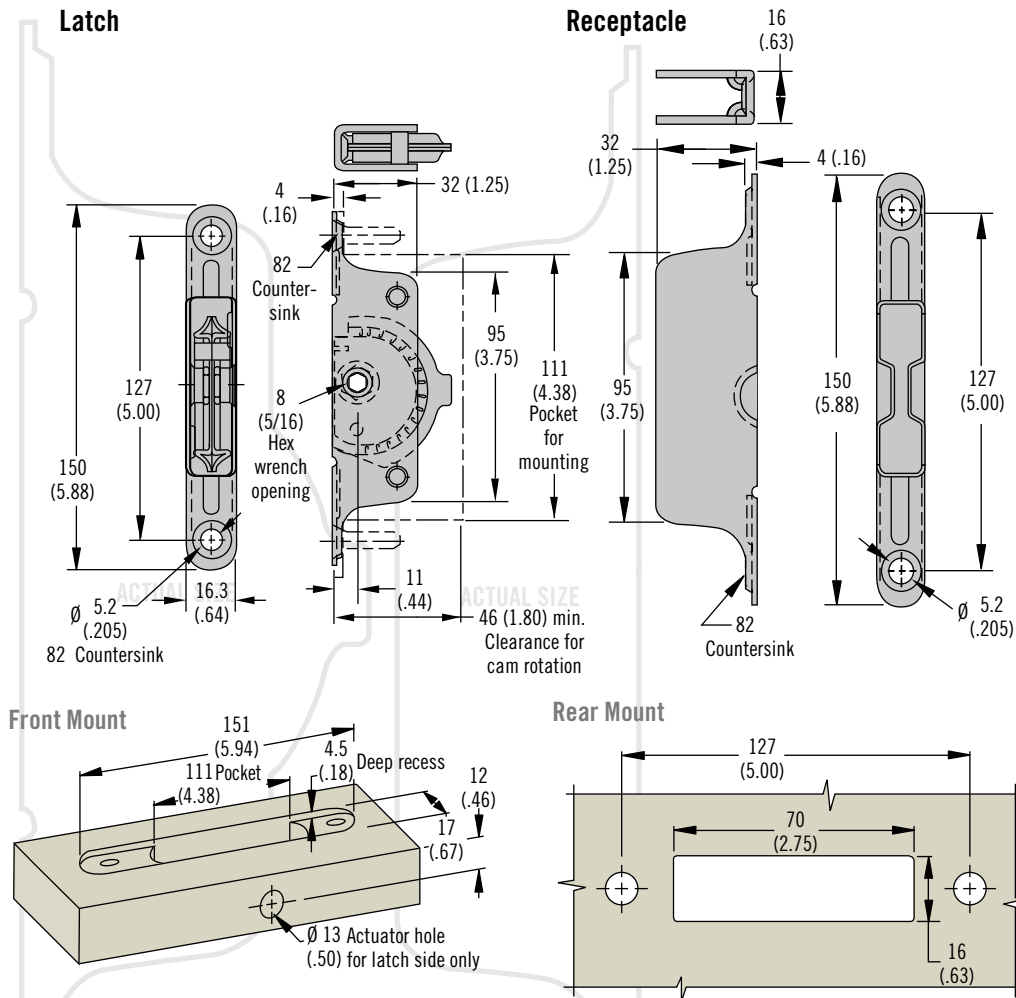


[www.southco.com/R2](http://www.southco.com/R2)

**southco**  
CONNECT · CREATE · INNOVATE

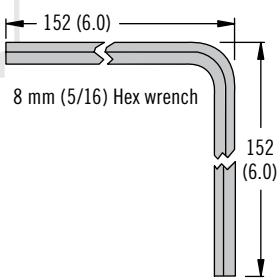
# R2 Draw Latch

## Concealed · Front mount



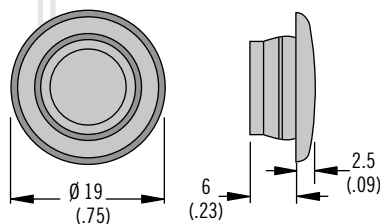
### Accessories

#### Actuation Tool



#### Hole Plugs

Optional hole plugs to conceal actuator access hole are available for a 13 (.50) diameter hole



- High tensile load
- Adjustable pull-up
- Front mount installation

### Material and Finish

Steel, zinc plated

### Performance Details

Average ultimate tensile load:  
4000 N (900 lbf)

### Installation Notes:

Wood application:

Install assembly with M5 (No. 10) flat head screws (not supplied).

Note: Latch strength is dependant on mounting hardware and installation material

Metal application:

Install assembly with 5 (.196) flathead rivets or M5 (No. 10) screws. Note: Max. metal panel thickness should be 2.5 (.10)

### Accessories

Actuation tool

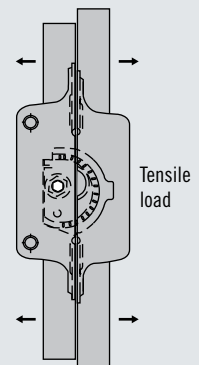
Part number: 29-0059-02

Hole plugs

Part number:

White: T5-7075-000

Black: T5-7075-028



Part Number	
Latch	R2-0267-02
Receptacle	R2-0268-02

### Part Number

See table

Order latch and keeper separately



# R5 Draw Latch

Concealed · Heavy-duty

- High tensile load
- Consistent pull-up
- Concealed installation

### Material and Finish

Steel, zinc plated

### Performance Details

Average ultimate tensile load:  
11,100 N (2500 lbf)

Average ultimate shear load:  
76,920 N (17292 lbf)

### Installation Notes

Install assembly with  $\varnothing 6$  (1/4) rivets or M6 (1/4) screws (not supplied)

### Accessories

Actuation tool

Part number: 29-0059-02

Hole plugs

Part number:

White: T5-7075-000

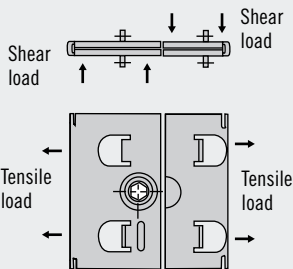
Black: T5-7075-028

### Notes

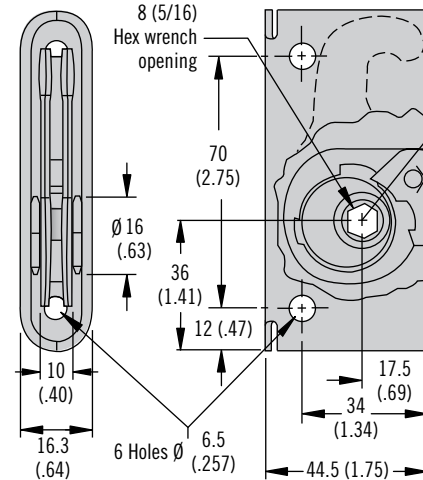
Operating force

To open: 4 N·m (35 in·lbf)

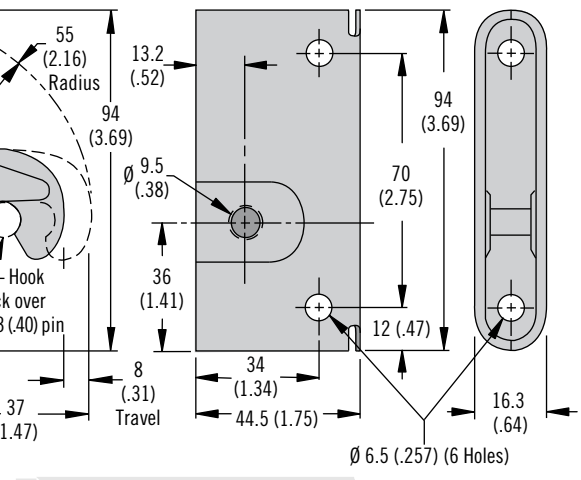
To close: 4 N·m (35 in·lbf)



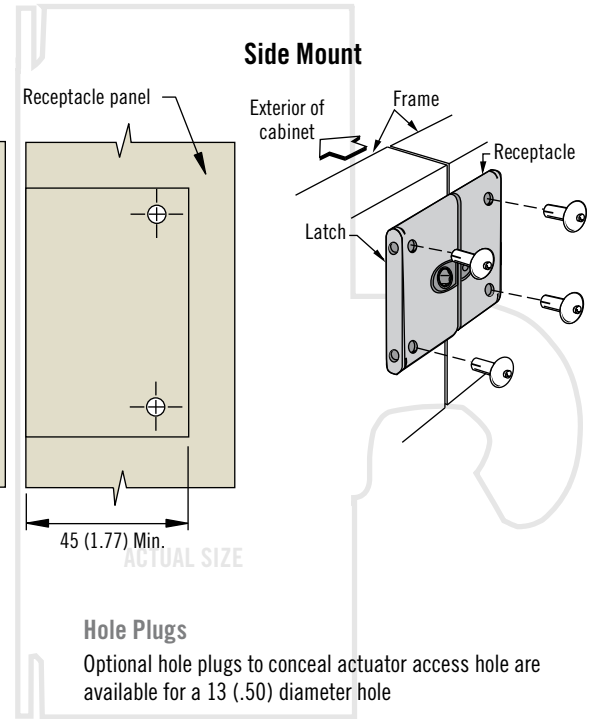
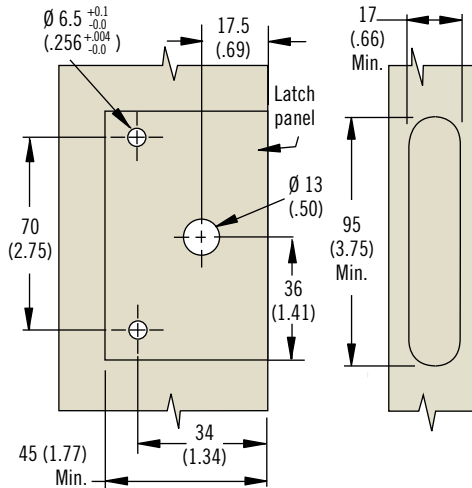
### Latch



### Receptacle

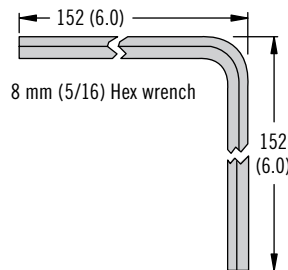


### Recessed Pocket



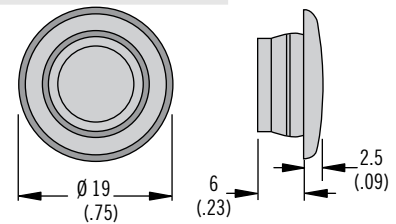
### Accessories

#### Actuation Tool



#### Hole Plugs

Optional hole plugs to conceal actuator access hole are available for a 13 (.50) diameter hole



### Part Number

See table

Order latch and keeper separately

Part Number	
Latch	Receptacle
R5-0074-07	R5-0079-07

Dimensions in millimeters (inch) unless otherwise stated