



MP Point Push-to-Close Latch

Pull-to-open

- Single, round-hole installation
- Flush pop out knob
- Corrosion-resistant materials
- Optional cover available for a stylish look of the latch body
- Keeper sold separately

Material and Finish

Housing: Glass-filled nylon
 Flange and knob: Zinc alloy, plated
 Cam: Zinc alloy

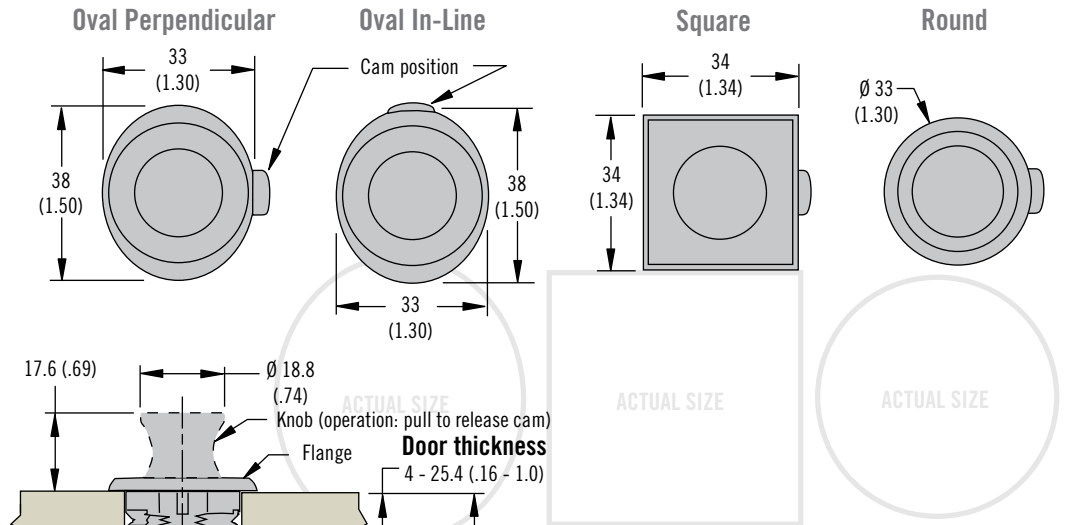
Installation Notes

Max. tightening torque on mounting nut: 4.5 N·m (40 in-lbf)

Accessories

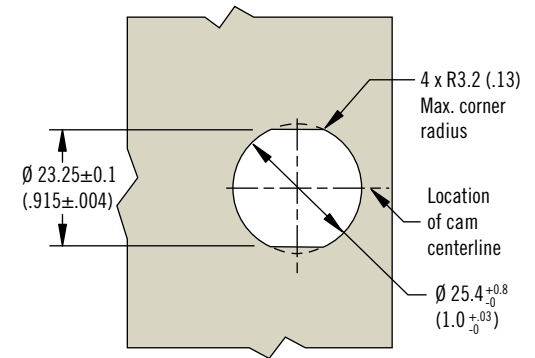
Matching pulls available see page 486

H Housing Style

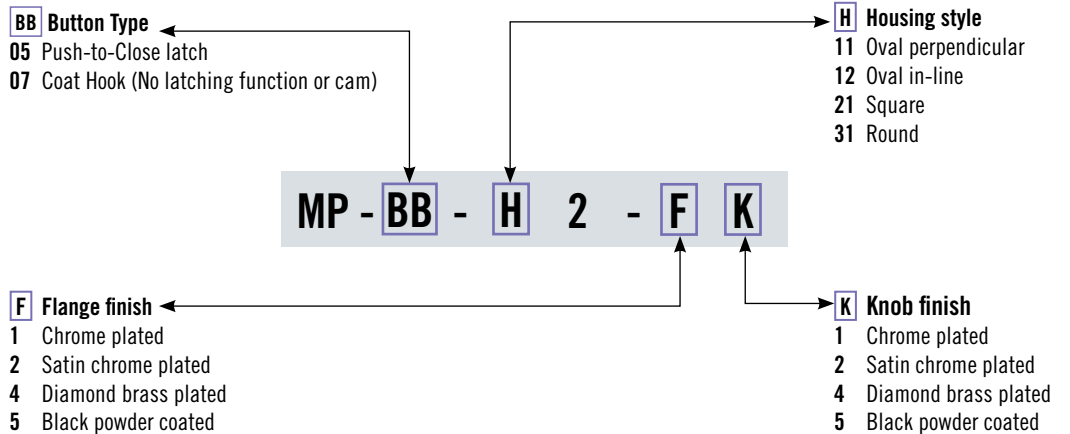


Installation

Latch Only (for keeper installation see page 157)



Part Number Selection



Dimensions in millimeters (inch) unless otherwise stated