



AV Series Dynamic Mount

Tilt and Swivel

- Intuitive grab and move operation enhances the user experience**

No knobs or tools required to reposition the display

Precise control of operating effort ensures ideal "feel" and eliminates "drift"

Holds securely, even in applications with dynamic loading

- Consistent repeatable operation**

- Factory assembled and ready for use**

Installation

1. Determine desired mounting location
2. Attach using M6 X 1 screws as shown

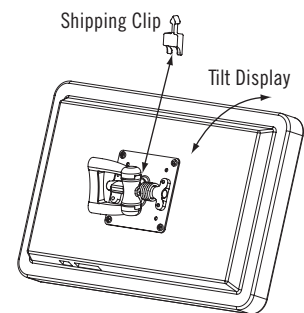
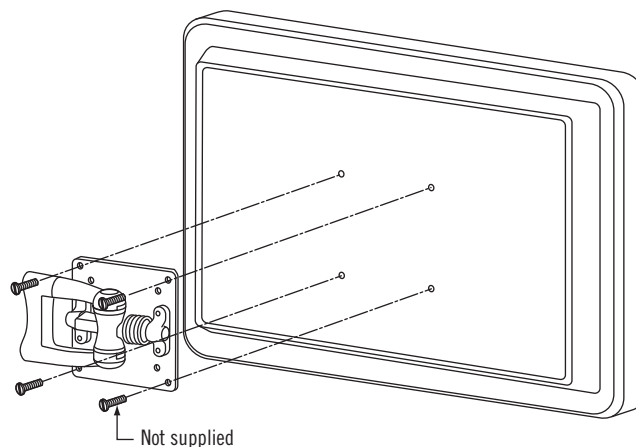
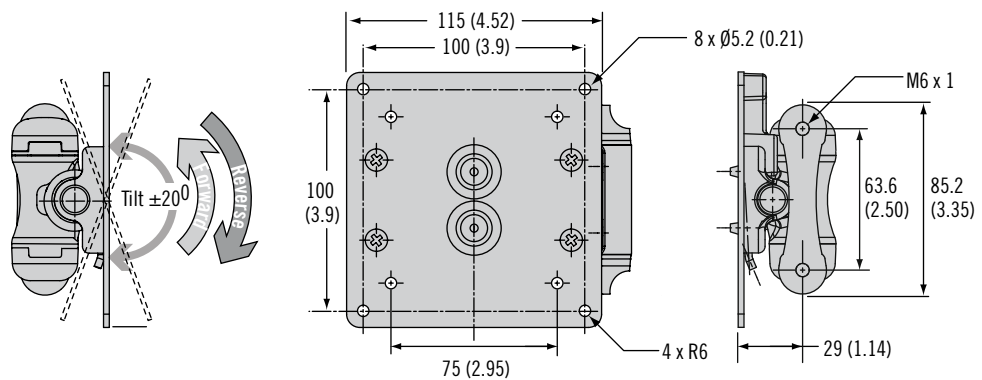
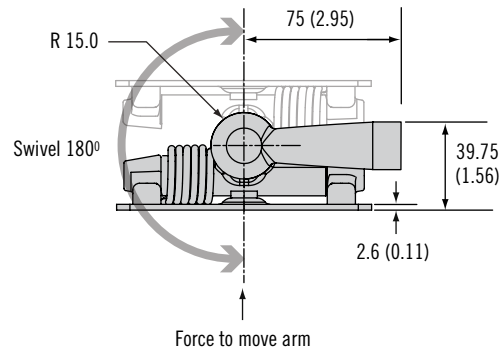
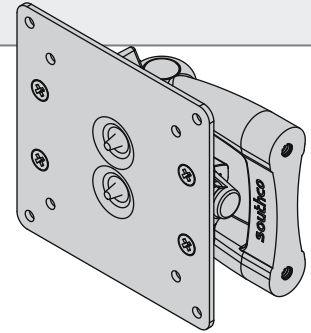
Caution: Because of the wide variety of available wall materials, it is the installer's responsibility to ensure that the materials, and structure to which the arm is mounted, and the hardware selected will provide adequate support.

3. Attach display using manufacturer's recommended hardware
4. Remove and recycle the shipping clip



VESA MIS-D, 100, C

Product Detail



Dimensions in millimeters (inch) unless otherwise stated



www.southco.com/AV

southco
CONNECT · CREATE · INNOVATE

AV Series Dynamic Mount

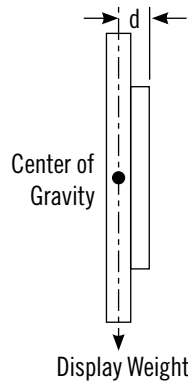
Tilt and Swivel



Specification and Selection

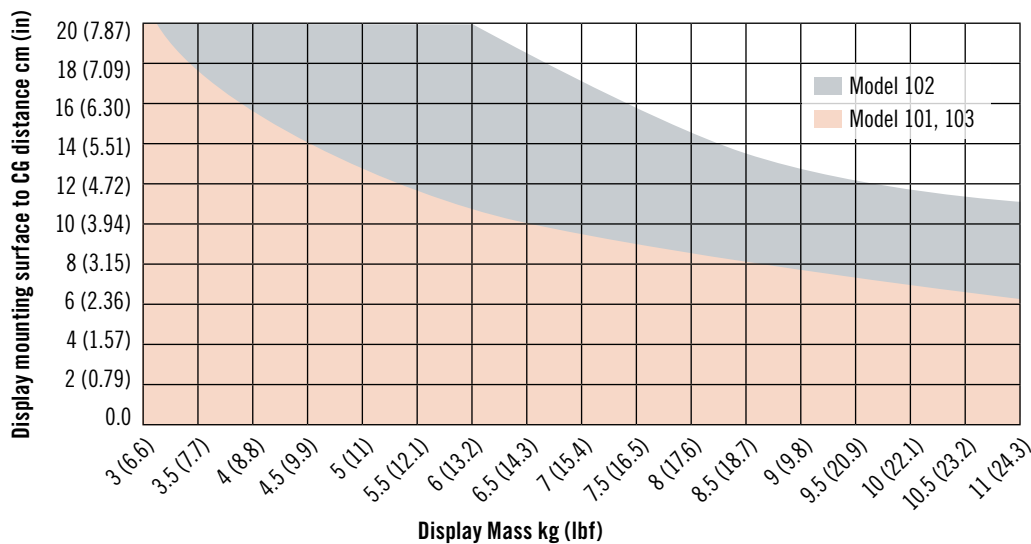
Step 1

Determine display weight and distance (d) from mounting surface to center of gravity.



Step 2

Use chart below to select model (101, 102 or 103).



Step 3

Complete part number by selecting model and color options below.

Model S	Tilt Torque N•m (in lbf)		Swivel Torque
	Reverse	Forward	
101	7.9 (70)	1.13 (10)	2.3 (20)
102	15.4 (136)	2.26 (20)	3.4 (30)
103	8.6 (76)	6 (53)	3.4 (30)

AV - D30 - 7K **S** - **F**

F	Color
50	Black
76	White

For complete installation and operation instructions please consult the product manual included in every package or available to download from www.southco.com

Dimensions in millimeters (inch) unless otherwise stated

- Smooth operation enhances the user experience
- Adjust the display without knobs or tools
- Holds securely in every position

Material and Finish

Aluminum alloy, powder coated

Performance Details

Cycle performance: 20,000 cycles within $\pm 20\%$ of static torque specification

Max. dynamic working load:
 Model 101 and 103: 66N (15 lbf)
 Model 102: 98N (22 lbf)
 Average ultimate load: 2000 N (450 lbf)

Part Number

See table

Part Number Example

AV-D30-7K101-50 = Dynamic mounting arm, Model 101, black



AV Series Dynamic Mount

Tilt and Swivel · Compact

- **Intuitive grab and move operation enhances the user experience**
No knobs or tools required to reposition the display
Consistent repeatable operation
- **Factory assembled and ready for use**

Installation Notes

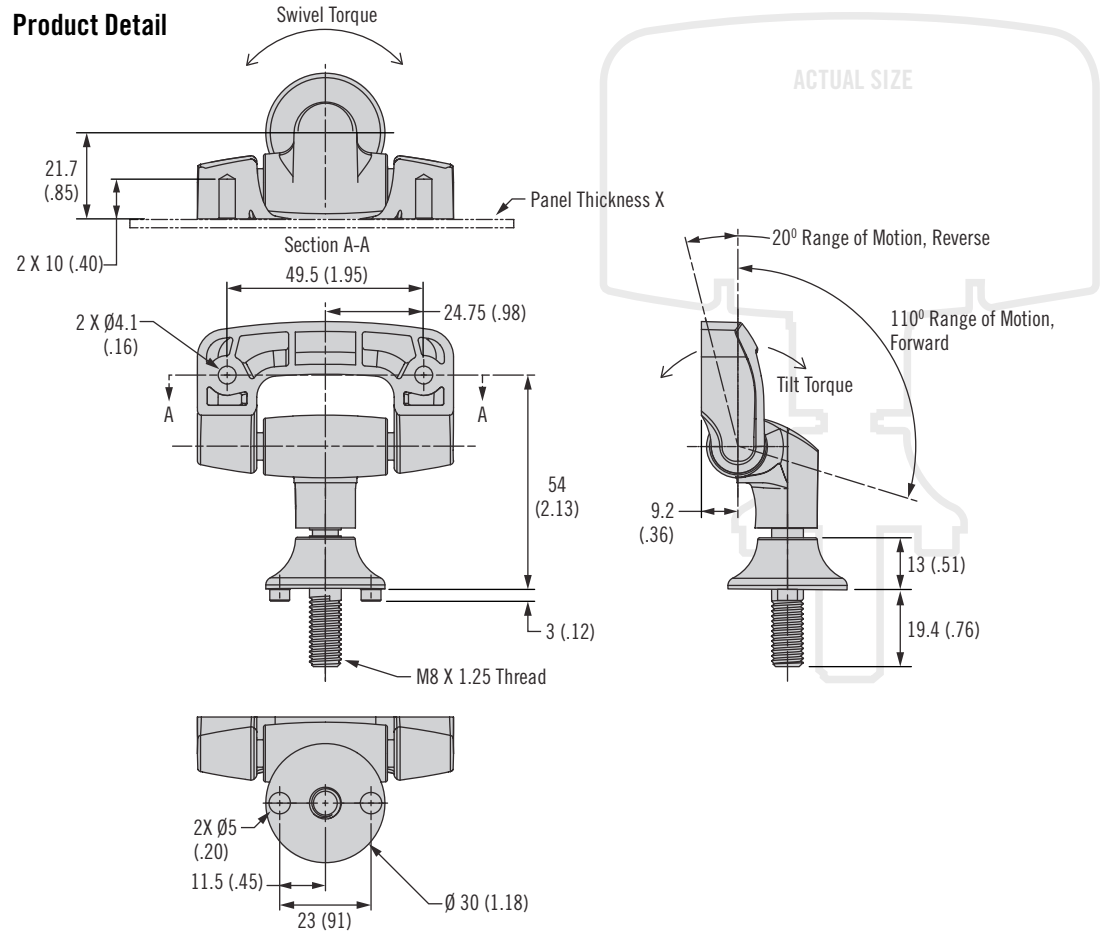
1. Determine desired mounting location
2. Attach using M8 nut (not supplied) as shown
Caution: Because of the wide variety of panel materials, it is the installer's responsibility to ensure that the materials and structure to which the product is mounted and the hardware selected will provide adequate support.
3. Attach display mounting bracket using recommended self-tapping screws or equivalent

Other options available. For complete details on variety, part numbers, installation and specification, go to



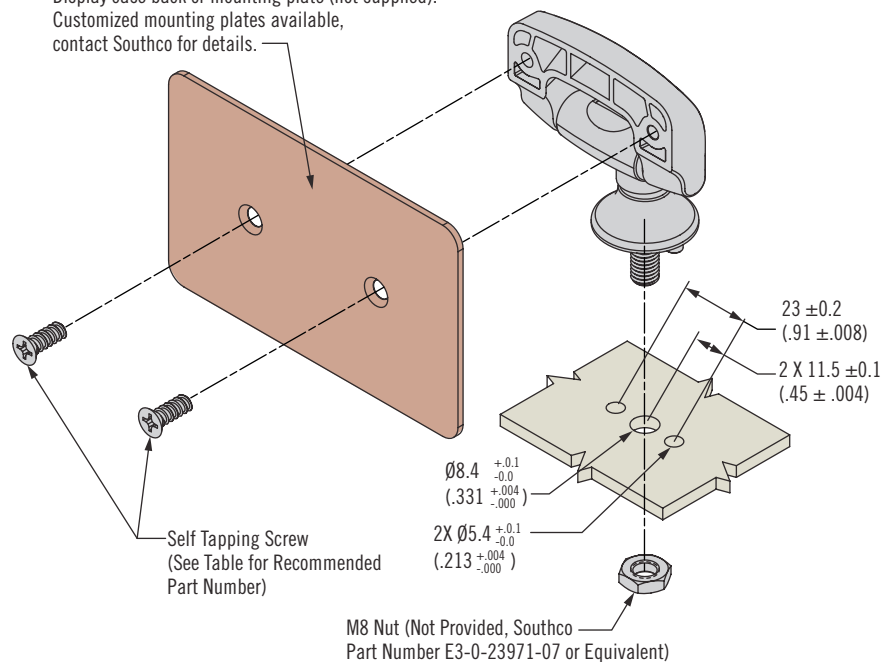
www.southco.com/AV

Product Detail



Installation

Display case back or mounting plate (not supplied). Customized mounting plates available, contact Southco for details.



Dimensions in millimeters (inch) unless otherwise stated

southco
CONNECT · CREATE · INNOVATE

AV Series Dynamic Mount

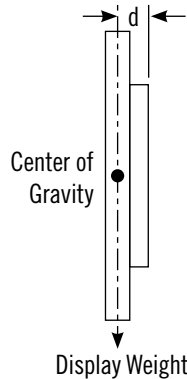
Tilt and Swivel · Compact



Specification and Selection

Step 1

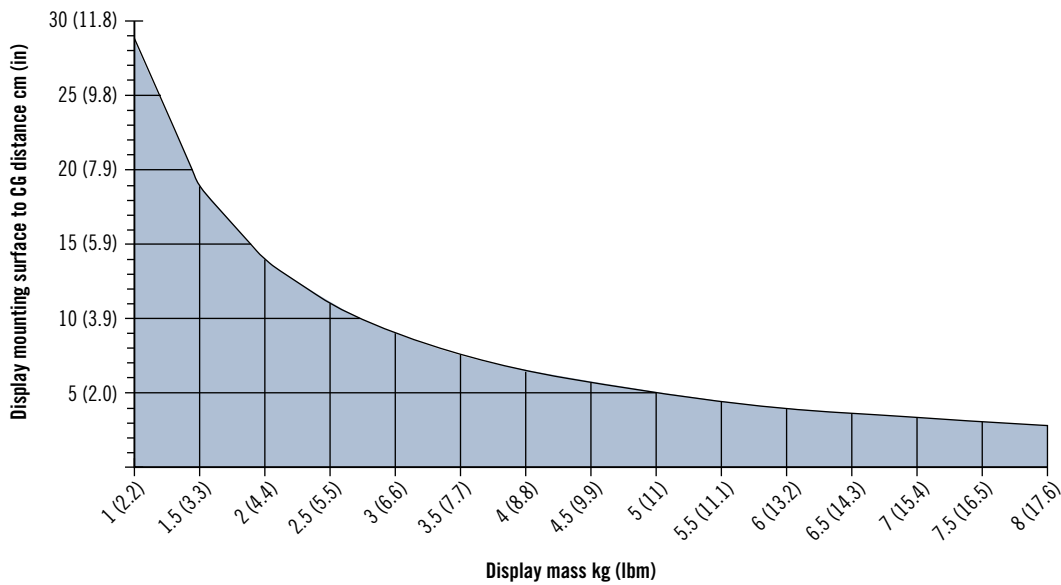
Determine display weight and distance (d) from mounting surface to center of gravity.



Step 2

Use chart below to confirm suitable display weight. For weights outside the shaded area, consider Southco AV-D30 series display mounts.

AV-C20 Series - Capacity vs. Cg Distance



Step 3

Select part number and recommended display mounting hardware below:

Part Numbers	Tilt Torque N·m (in·lbf)	Swivel Torque N·m (in·lbf)
AV-C20-K101-20	2.26 (20.0)	3.62 (32.0)

Recommended display mounting hardware:

Panel Thickness, X (mm)	Pan-Head Screw (Southco P/N)	Flat-Head Screw (Southco P/N)
1-4	96-79-1	96-79-11
4-7	96-79-2	96-79-12

Dimensions in millimeters (inch) unless otherwise stated

- Smooth operation enhances the user experience
- Adjust the display without knobs or tools
- Holds securely in every position

Material and Finish

Glass-Filled Nylon, Black; Stainless Steel

Performance Details

Cycle performance
20,000 Cycles within +/- 20% of static torque specification

Max dynamic working load: 100N (22.5lbf)

Average ultimate load: 1000N (225lbf)

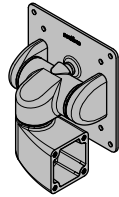


AV Series Dynamic Mounting Arm

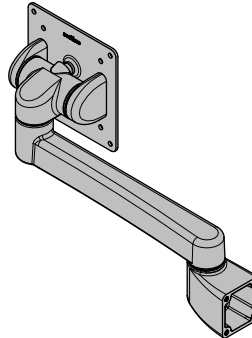
Tilt and Swivel, Single Arm, and Double Arm

- **Intuitive grab and move operation enhances the user experience**
No knobs or tools required to reposition the display
Precise control of operating effort ensures ideal “feel” and eliminates “drift”
Holds securely, even in applications with dynamic loading
- **Consistent repeatable operation**
- **Fully enclosed for optimum cleanability**
- **Snap-on wire management cover**
- **Factory assembled and ready for use**

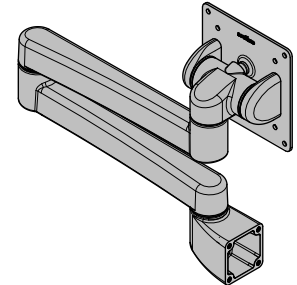
Tilt and Swivel



Single Arm



Double Arm



Mounting Options

Wall Mount

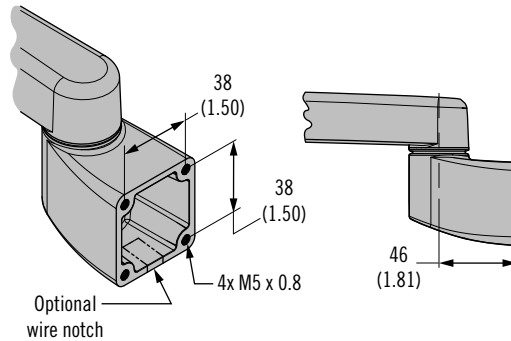
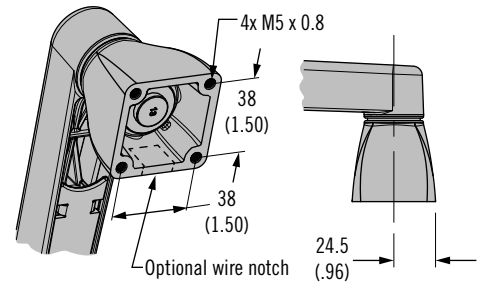
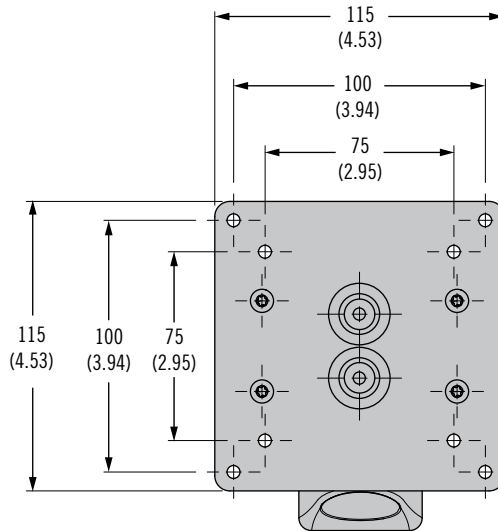


Table Mount



Display Mounting Plate



VESA MIS-D, 100, C

Other options available. For complete details on variety, part numbers, installation and specification, go to



www.southco.com/AV

Dimensions in millimeters (inch) unless otherwise stated

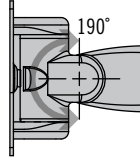
southco
CONNECT · CREATE · INNOVATE

AV Series Dynamic Mounting Arm

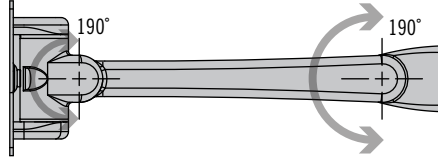
Tilt and Swivel, Single Arm, and Double Arm



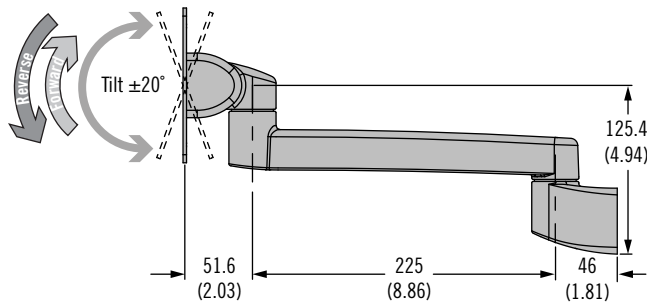
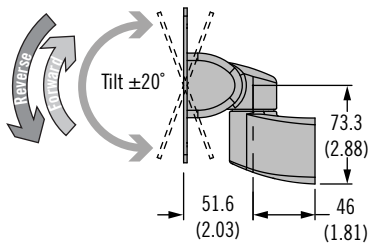
Tilt and Swivel



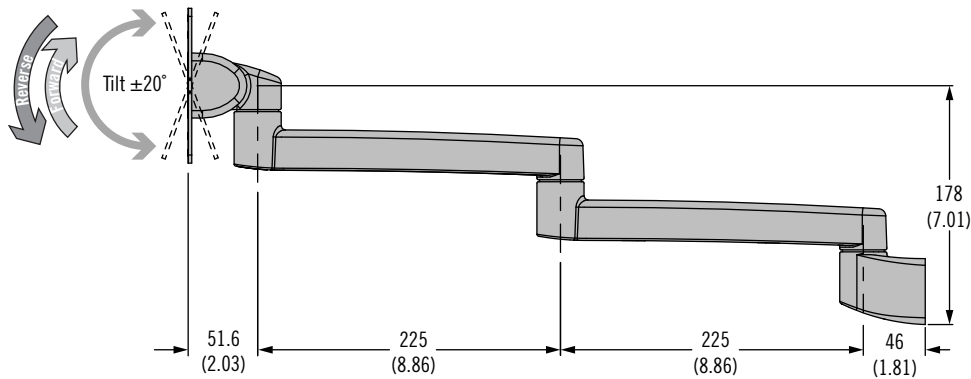
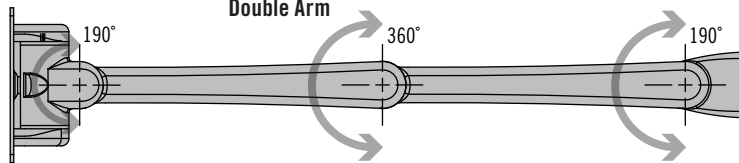
Single Arm



- Smooth operation enhances the user experience
- Adjust the display without knobs or tools
- Holds securely in every position



Double Arm



Other options available. For complete details on variety, part numbers, installation and specification, go to



www.southco.com/AV



AV Series Dynamic Mounting Arm

Tilt and Swivel, Single Arm, and Double Arm

Material and Finish

Aluminum alloy, powder coated

Performance Details

Cycle performance: Guaranteed for 20,000 cycles. See trade drawing for details.

Note: Double Arm not recommended for displays over 5.4 kg (12 lb)

Max. dynamic working load:

Model 101, 103: 70N (15.7lbf)

Model 102: 100N (22.5lbf)

Average ultimate load:

Tilt/Swivel: 1845N (415lbf)

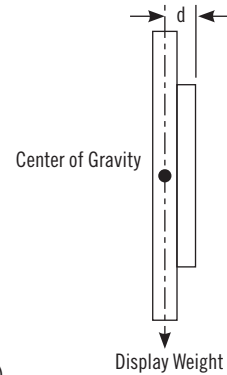
Single Arm: 1715N (385lbf)

Double Arm: 880N (195lbf)

Specification and Selection

Step 1

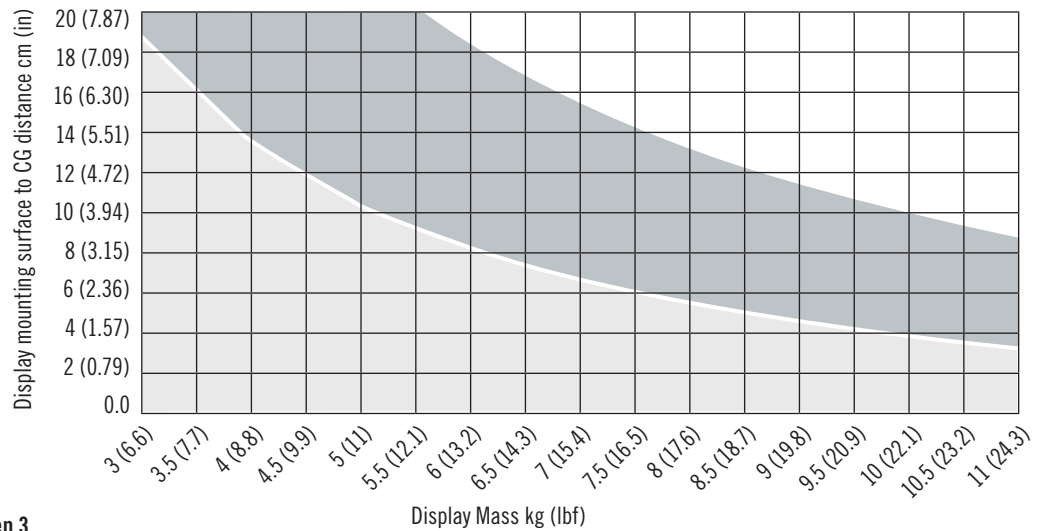
Determine display weight and distance (d) from mounting surface to center of gravity.



Step 2

Use chart below to select model (101, 102 or 103).

Note: Double Arm not recommended for displays over 5.4 kg (12 lb)



Step 3

Complete part number by selecting length and color options below.

Style	Model	Tilt Torque N-m (in-lbf)		Swivel Torque N-m (in-lbf)			Part Number			
		Reverse	Forward	At Display Mount	At Wall Mount	Center Joint	Wall Mount		Table Mount	
							No Notch	Wire Notch	No Notch	Wire Notch
Tilt and swivel	101	7.9 (70)	1.13 (10)	4.3 (38)	N/A	N/A	AV-D32-10K101-XX	AV-D32-10K111-XX	AV-D32-10K121-XX	AV-D32-10K131-XX
	102	15.4 (136)	2.26 (20)	4.3 (38)	N/A	N/A	AV-D32-10K102-XX	AV-D32-10K112-XX	AV-D32-10K122-XX	AV-D32-10K132-XX
	103	8.6 (76)	6.0 (53)	4.3 (38)	N/A	N/A	AV-D32-10K103-XX	AV-D32-10K113-XX	AV-D32-10K123-XX	AV-D32-10K133-XX
Single arm	101	7.9 (70)	1.13 (10)	4.3 (38)	9.8 (87)	N/A	AV-D32-23A101-XX	AV-D32-23A111-XX	AV-D32-23A121-XX	AV-D32-23A131-XX
	102	15.4 (136)	2.26 (20)	4.3 (38)	9.8 (87)	N/A	AV-D32-23A102-XX	AV-D32-23A112-XX	AV-D32-23A122-XX	AV-D32-23A132-XX
	103	8.6 (76)	6.0 (53)	4.3 (38)	9.8 (87)	N/A	AV-D32-23A103-XX	AV-D32-23A113-XX	AV-D32-23A123-XX	AV-D32-23A133-XX
Double arm	101	7.9 (70)	1.13 (10)	4.3 (38)	9.8 (87)	9.8 (87)	AV-D32-46D101-XX	AV-D32-46D111-XX	AV-D32-46D121-XX	AV-D32-46D131-XX
	102	15.4 (136)	2.26 (20)	4.3 (38)	9.8 (87)	9.8 (87)	AV-D32-46D102-XX	AV-D32-46D112-XX	AV-D32-46D122-XX	AV-D32-46D132-XX
	103	8.6 (76)	6.0 (53)	4.3 (38)	9.8 (87)	9.8 (87)	AV-D32-46D103-XX	AV-D32-46D113-XX	AV-D32-46D123-XX	AV-D32-46D133-XX

Part Number Example

AV-D32-23A101-50 =

Single arm, Model 101, wall mount, no wire notch, black

Other options available. For complete details on variety, part numbers, installation and specification, go to



www.southco.com/AV

For tilt version, see Southco AV Arm section.

XX	Color
50	Black
76	White

Dimensions in millimeters (inch) unless otherwise stated

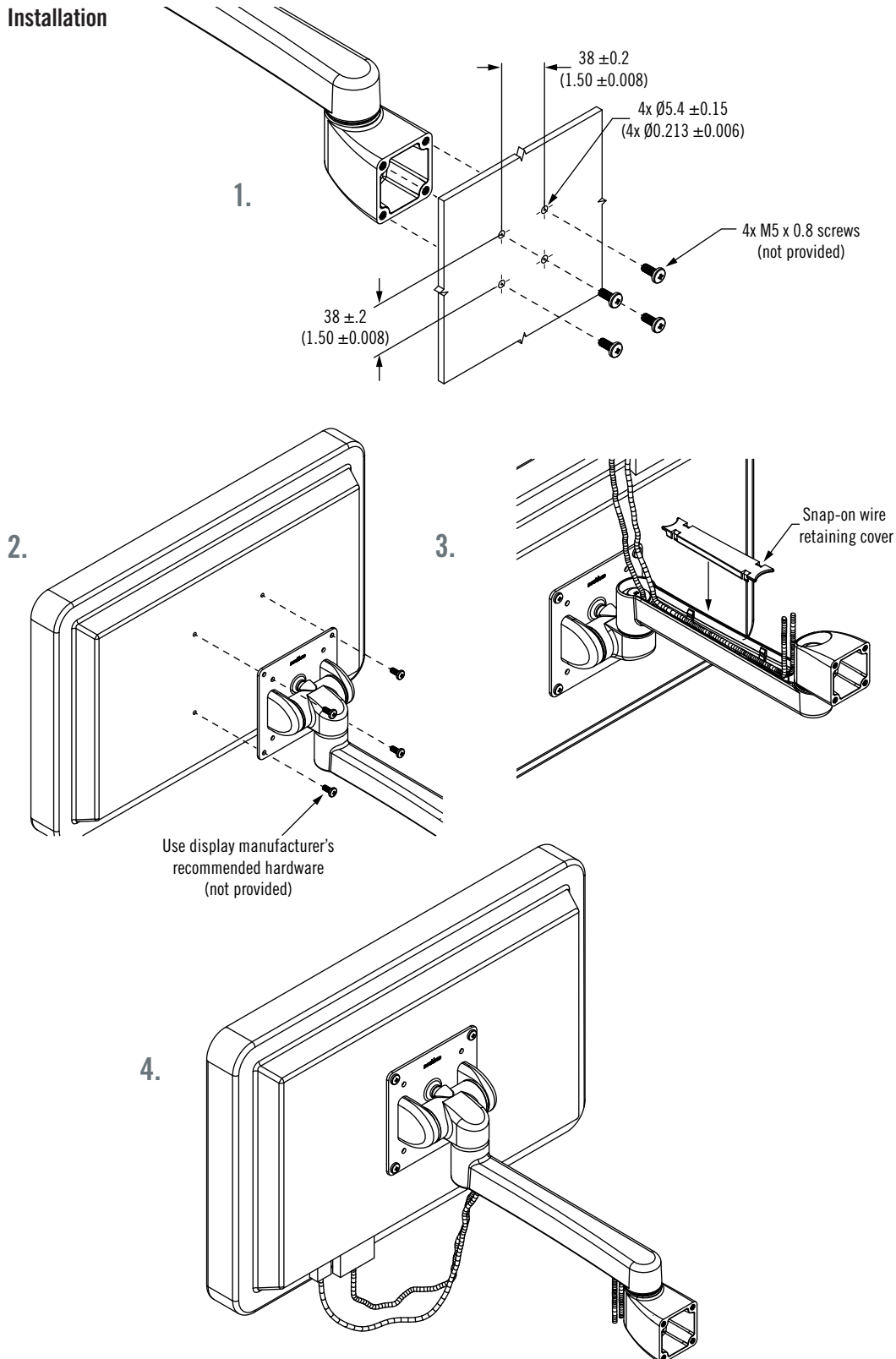
southco
CONNECT · CREATE · INNOVATE

AV Series Dynamic Mounting Arm

Tilt and Swivel, Single Arm, and Double Arm



Installation



Dimensions in millimeters (inch) unless otherwise stated

- Smooth operation enhances the user experience
- Adjust the display without knobs or tools
- Holds securely in every position