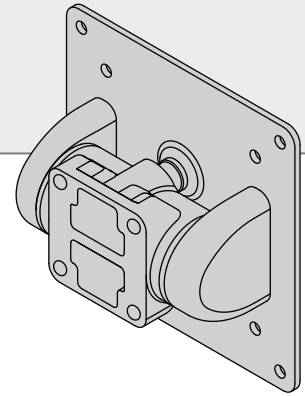




AV Series Dynamic Mount

Tilt



- Intuitive grab and move operation enhances the user experience**

No knobs or tools required to reposition the display

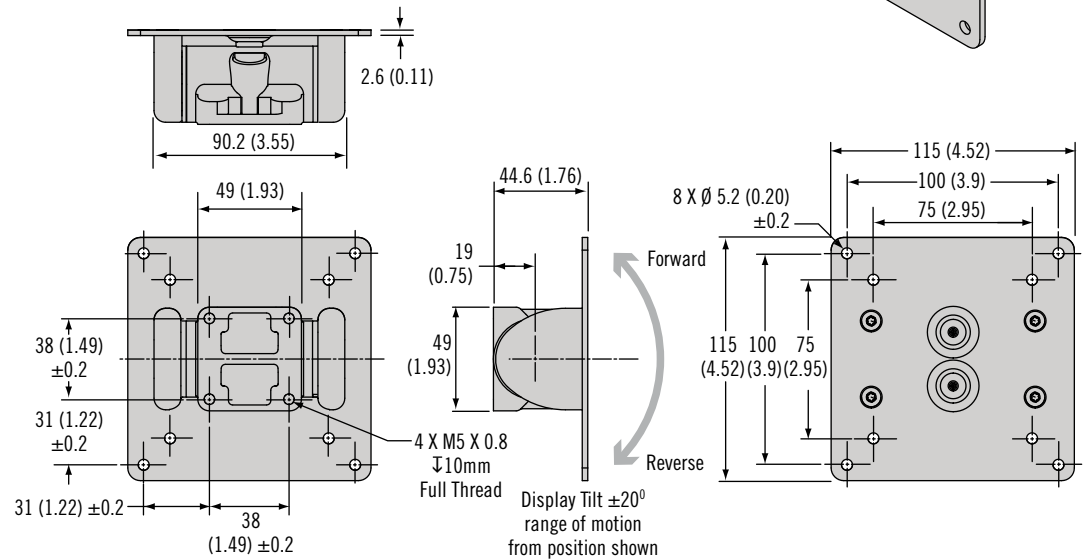
Precise control of operating effort ensures ideal "feel"

Holds securely, even in applications with dynamic loading

- Consistent repeatable operation**

- Fully enclosed for optimum cleanability**

Product Detail



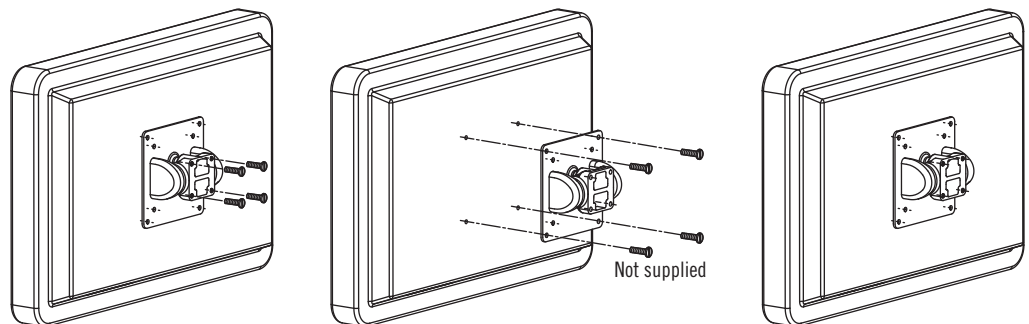
Installation

1. Determine desired mounting location
2. Attach using M5 X 0.8 screws as shown

Caution: Because of the wide variety of available wall materials, it is the installer's responsibility to ensure that the materials, and structure to which the tilt mount is fastened will provide adequate support.

3. Attach display using manufacturer's recommended hardware

Installation



VESA MIS-D, 100, C



www.southco.com/AV

Dimensions in millimeters (inch) unless otherwise stated

southco
CONNECT · CREATE · INNOVATE

AV Series Dynamic Mount

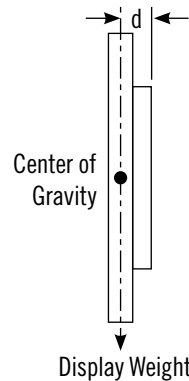
Tilt



Specification and Selection

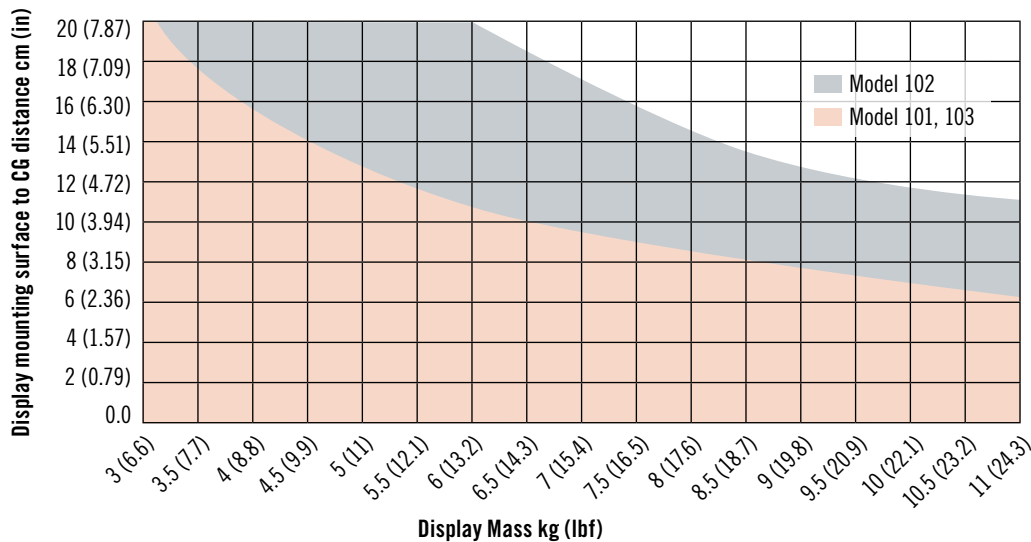
Step 1

Determine display weight and distance (d) from mounting surface to center of gravity.



Step 2

Use chart below to select model (101, 102 or 103).



Step 3

Complete part number by selecting model and color options below.

Model S	Tilt Torque N•m (in lbf)	
	Reverse	Forward
101	7.9 (70)	2.2 (19.5)
102	15.4 (136)	2.26 (20)
103	8.6 (76)	6 (53)

F	Color
50	Black
76	White

AV - D30 - 5T S - F

For complete installation and operation instructions please consult the product manual included in every package or available to download from www.southco.com

Dimensions in millimeters (inch) unless otherwise stated

- Smooth operation enhances the user experience
- Adjust the display without knobs or tools
- Holds securely

Material and Finish

Aluminum alloy, powder coated

Performance Details

Cycle performance: 20,000 cycles within $\pm 20\%$ of static torque specification

Max. dynamic working load:

Model 101 and 103: 70N (15.7lbf)

Model 102: 100N (22.5lbf)

Average ultimate load: 1845N (414.8lbf)

Part Number

See table

Part Number Example

AV-D30-5T101-50 = Dynamic tilt mount, Model 101, black



AV Series Dynamic Mount

Tilt

- **Intuitive grab and move operation enhances the user experience**

No knobs or tools required to reposition the display

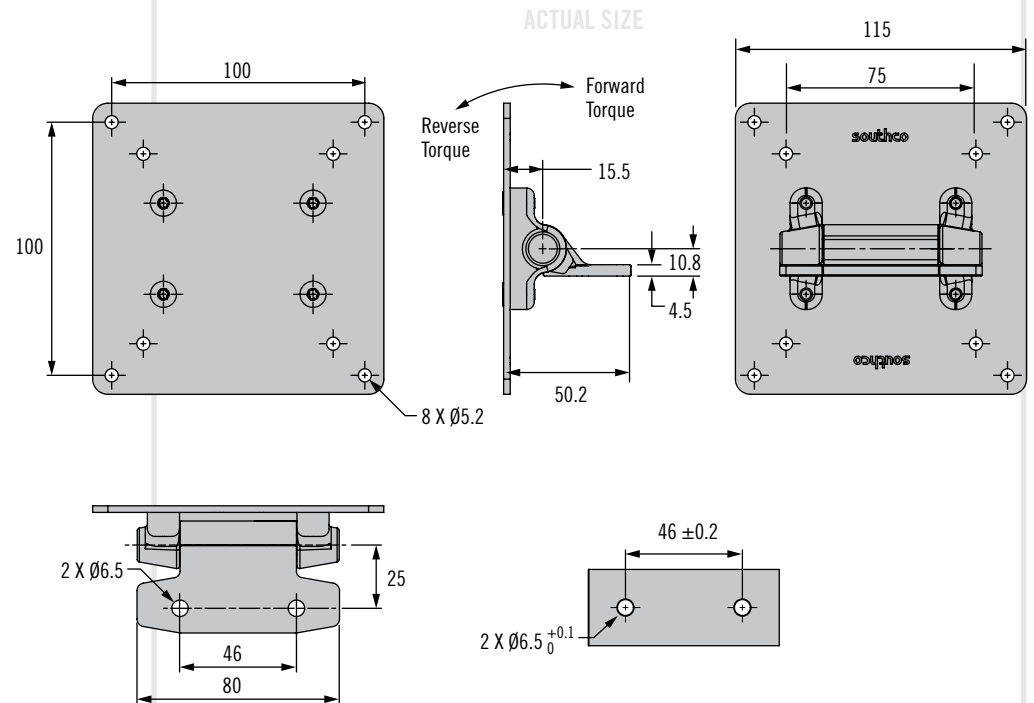
Robust positioning in compact package

Holds securely, even in applications with dynamic loading

- **Consistent repeatable operation**

- **Fully enclosed for optimum cleanability**

Product Detail



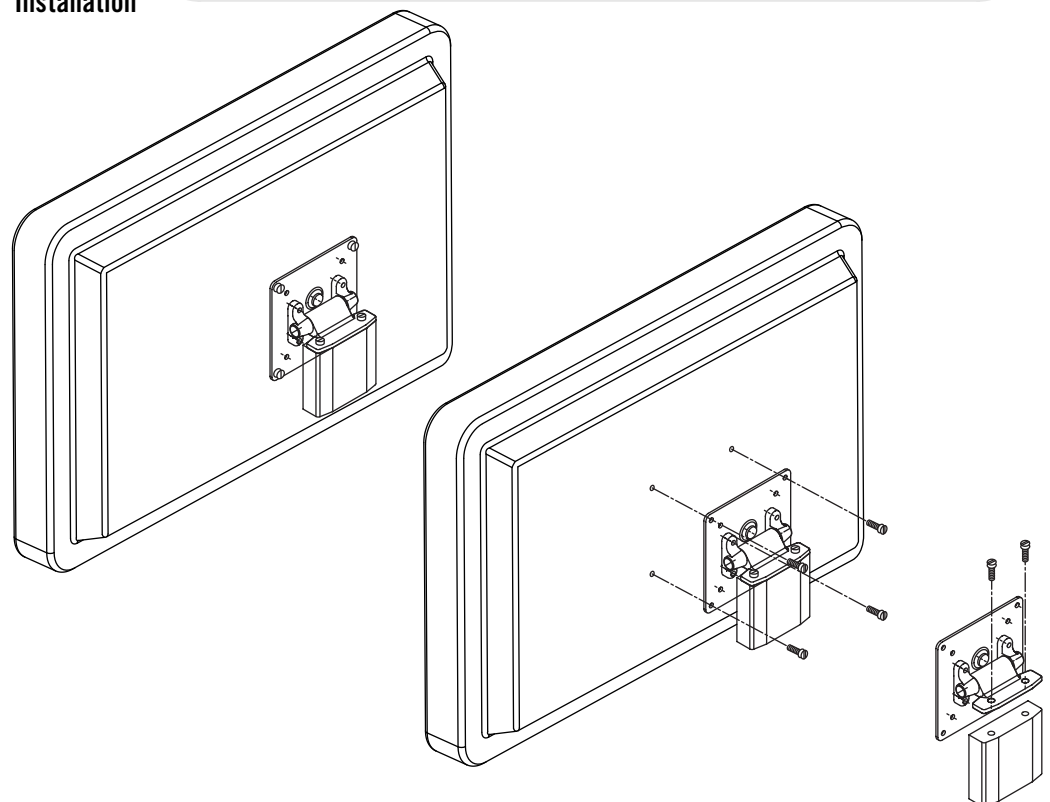
Installation

1. Determine desired mounting location
2. Attach using M6 screws as shown

Caution: Because of the wide variety of available materials, it is the installer's responsibility to ensure that the materials, and structure to which the tilt mount is fastened will provide adequate support.

3. Attach display using manufacturer's recommended hardware

Installation



VESA MIS-D, 100, C

Other options available. For complete details on variety, part numbers, installation and specification, go to



www.southco.com/AV

Dimensions in millimetres unless otherwise stated

southco
CONNECT · CREATE · INNOVATE

AV Series Dynamic Mount

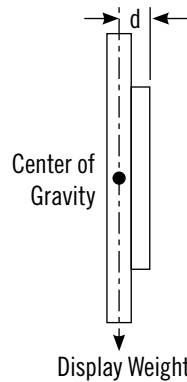
Tilt



Specification and Selection

Step 1

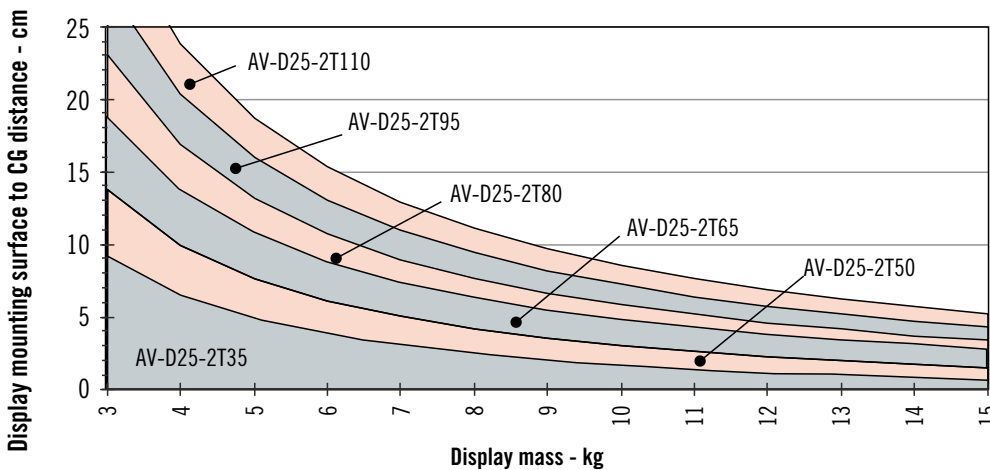
Determine display weight and distance (d) from mounting surface to center of gravity.



Step 2

Use chart below to select model part number.

AV-D25 T-Series Model Selection Guide



Step 3

Complete part number by selecting model and color options below.

Part Numbers		FORWARD TORQUE N•m	REVERSE TORQUE N•m
BLACK	WHITE		
AV-D25-2T35F-50	AV-D25-2T35F-76	3.9	3.4
AV-D25-2T50F-50	AV-D25-2T50F-76	5.7	4.7
AV-D25-2T65F-50	AV-D25-2T65F-76	7.3	6.1
AV-D25-2T80F-50	AV-D25-2T80F-76	9.0	7.4
AV-D25-2T95F-50	AV-D25-2T95F-76	10.7	8.8
AV-D25-2T110F-50	AV-D25-2T110F-76	12.4	9.0
AV-D25-2T35R-50	AV-D25-2T35R-76	3.4	3.9
AV-D25-2T50R-50	AV-D25-2T50R-76	4.7	5.7
AV-D25-2T65R-50	AV-D25-2T65R-76	6.1	7.3
AV-D25-2T80R-50	AV-D25-2T80R-76	7.4	9.0
AV-D25-2T95R-50	AV-D25-2T95R-76	8.8	10.7
AV-D25-2T110R-50	AV-D25-2T110R-76	9.0	12.4

Dimensions in millimetres unless otherwise stated

- Smooth operation enhances the user experience
- Adjust the display without knobs or tools
- Holds securely

Material and Finish

Steel, Aluminum Alloy, Powder Coated

Performance Details

Cycle performance: 20,000 cycles within $\pm 20\%$ of static torque specification

Max. dynamic working load: 100N

Average ultimate load: 1065N

Part Number

See table

Other options available. For complete details on variety, part numbers, installation and specification, go to



www.southco.com/AV

Southco® AV-D25 870A4UK 11-13